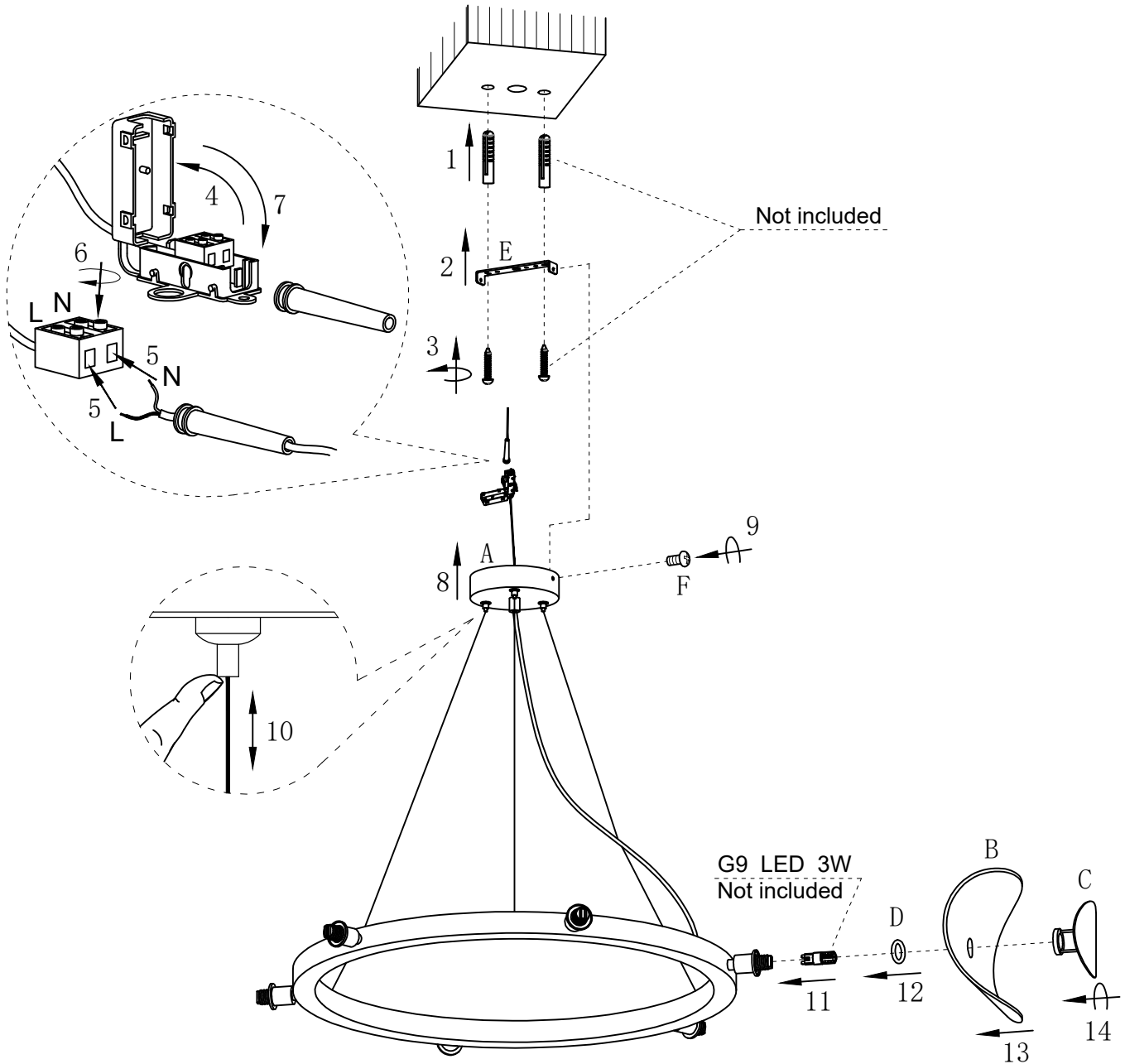


53367 Pendant Lamp Mariposa Black Smoke Ø81cm
52929 Pendant Lamp Mariposa Brass Ø81cm



| NO | A | B | C | D | E | F |
|------|-----|-------|-------|-------|-----|-------|
| TYPE | | | | | | |
| QTY | 1PC | 6 PCS | 6 PCS | 6 PCS | 1PC | 2 PCS |