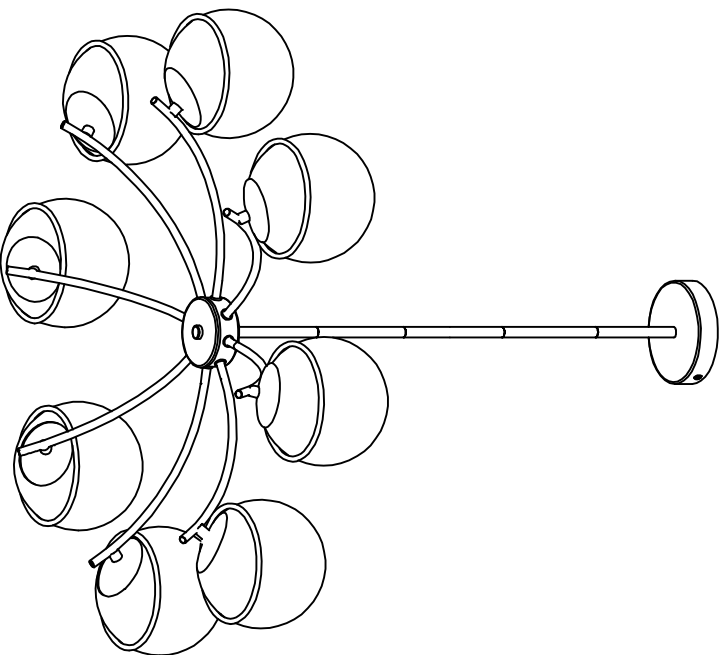
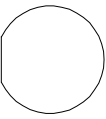


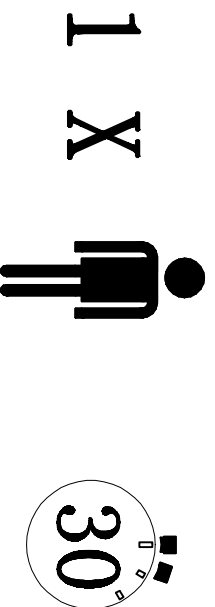
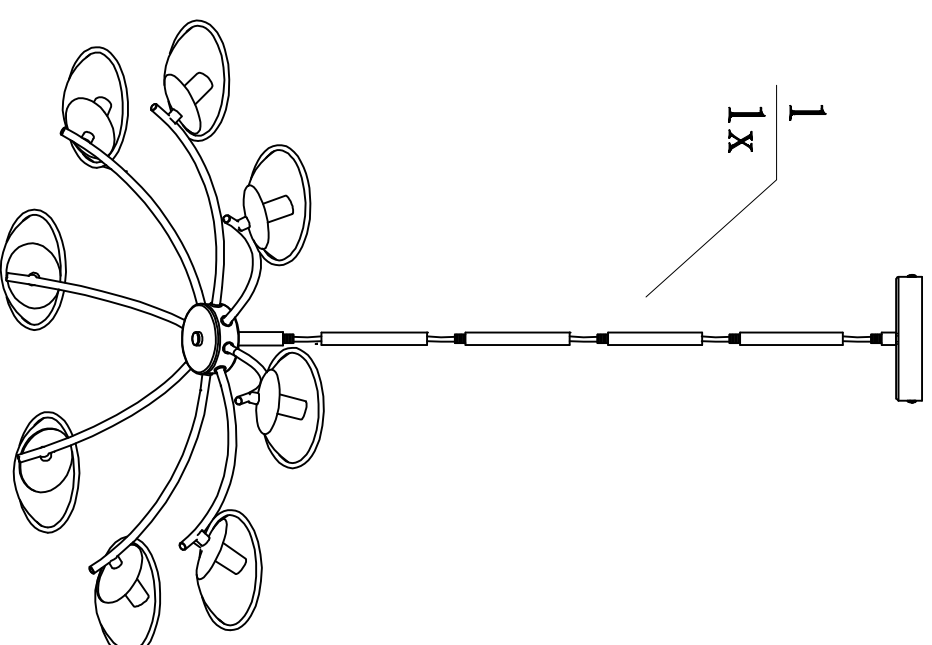
53201 Pendant Lamp Hedda Black

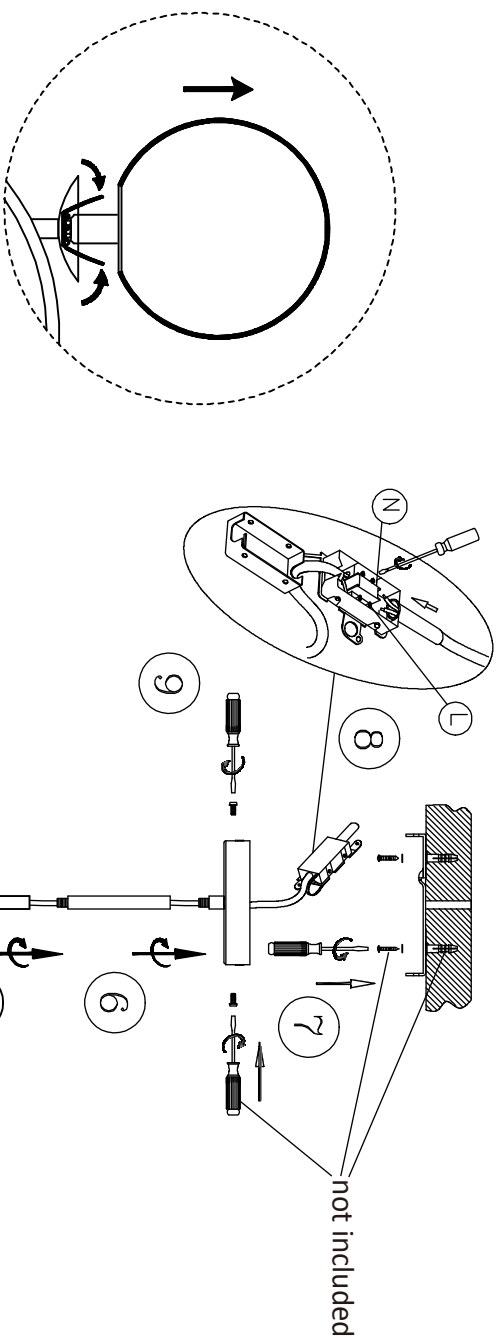
KARRE
DESIGN



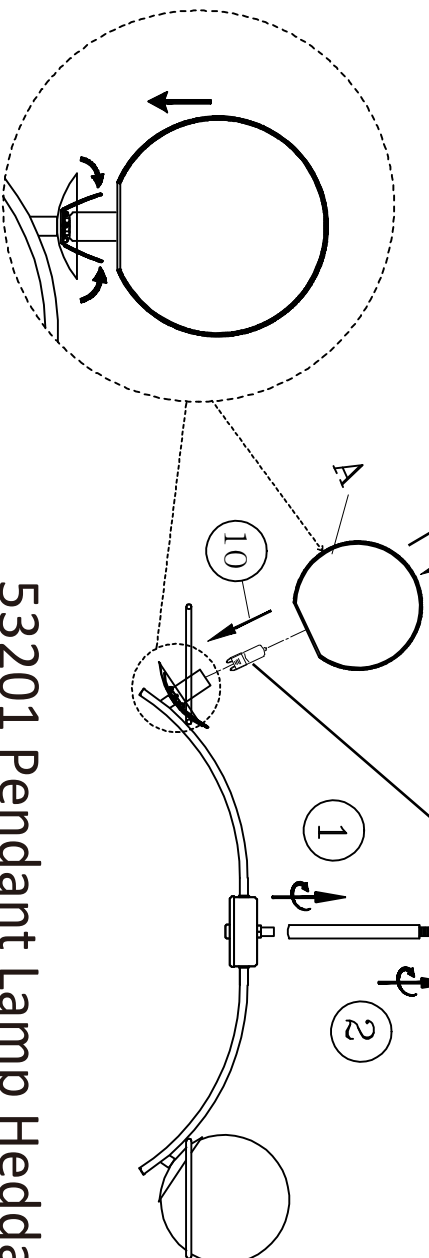
PARTS LIST		Qty
A		8

1
1 X





Gently uplift the three-feet clip and clamp the glass shade into the lamp dish. When removing the shade, just uplift the glass shade gently and remove it from the clip



53201 Pendant Lamp Hedda Black