


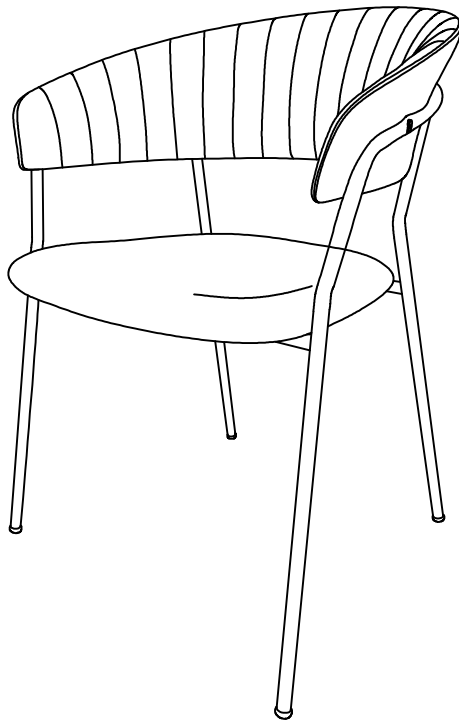
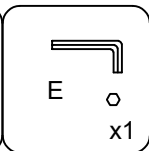
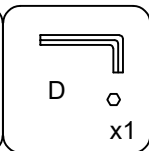
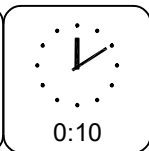
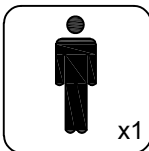


A		x4
B		x3
C		x4

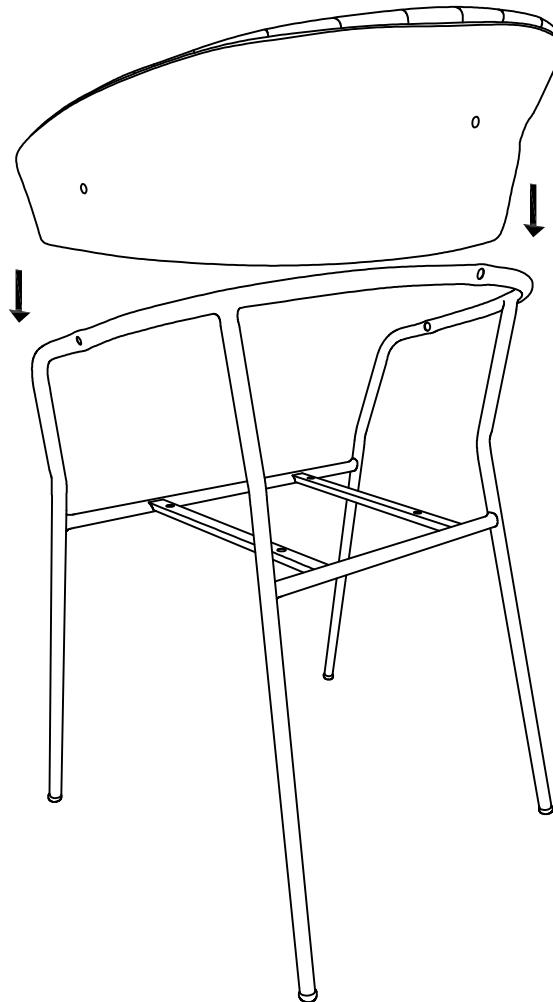
Finish



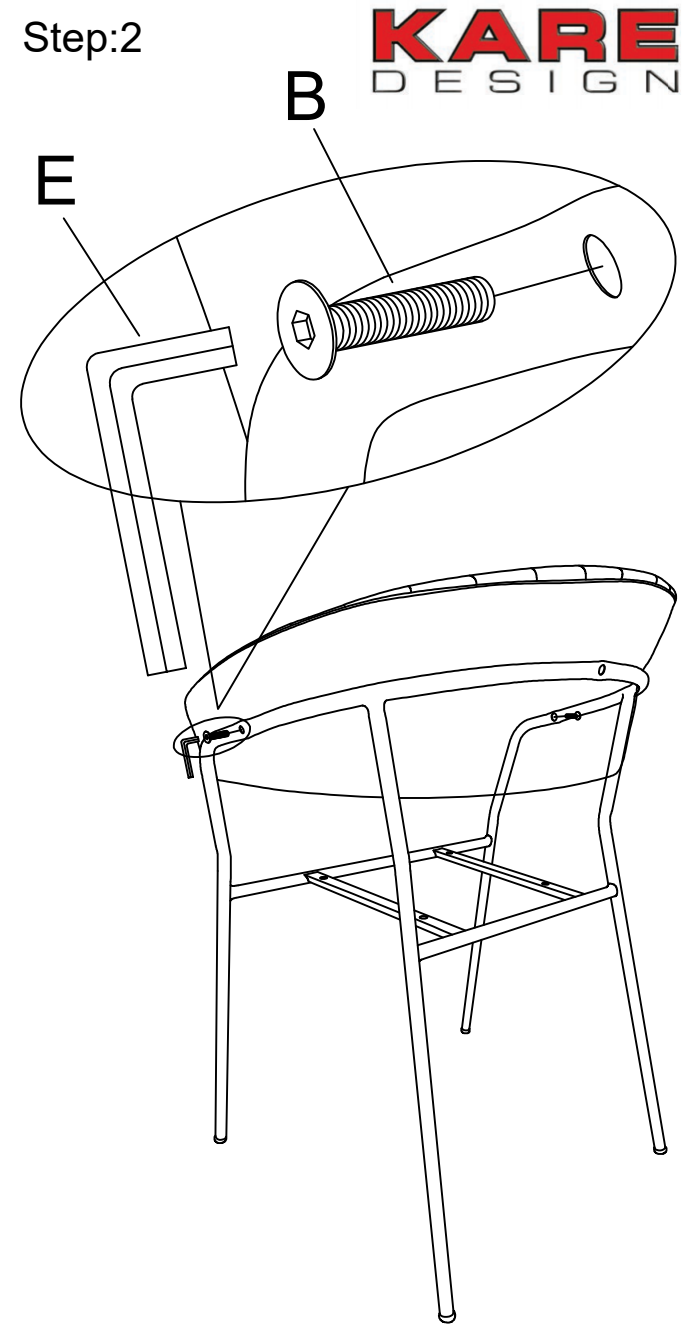
0129571



Step:1

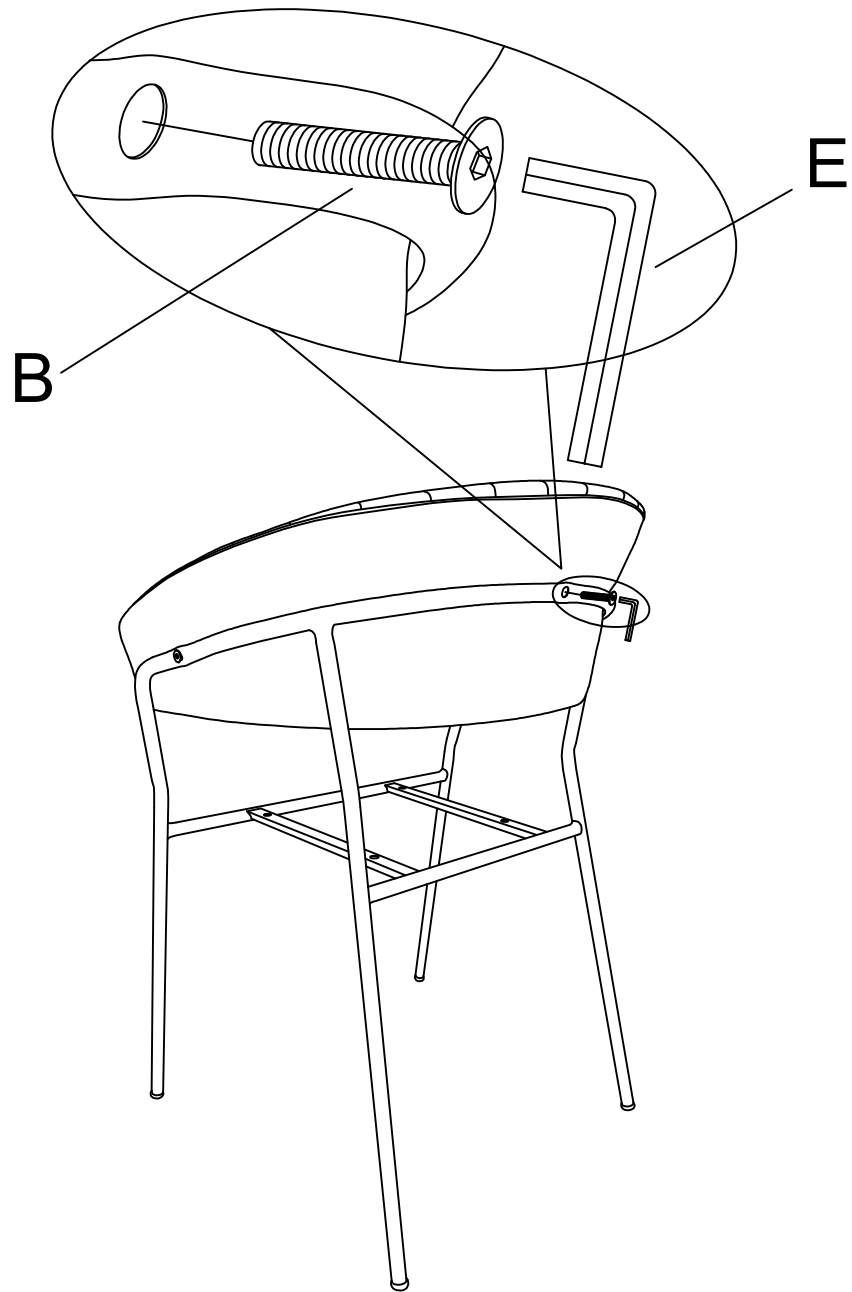


Step:2



KARE
DESIGN

Step:3



Step:4

KARE
DESIGN

