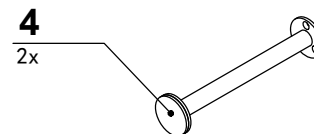
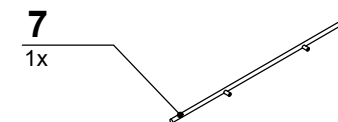
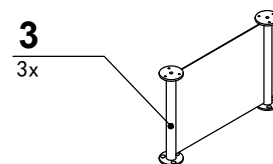
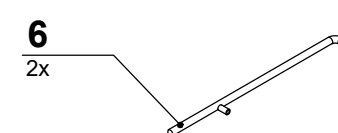
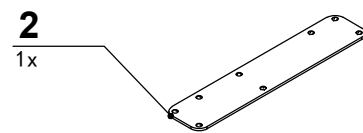
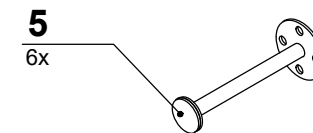
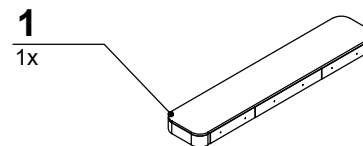
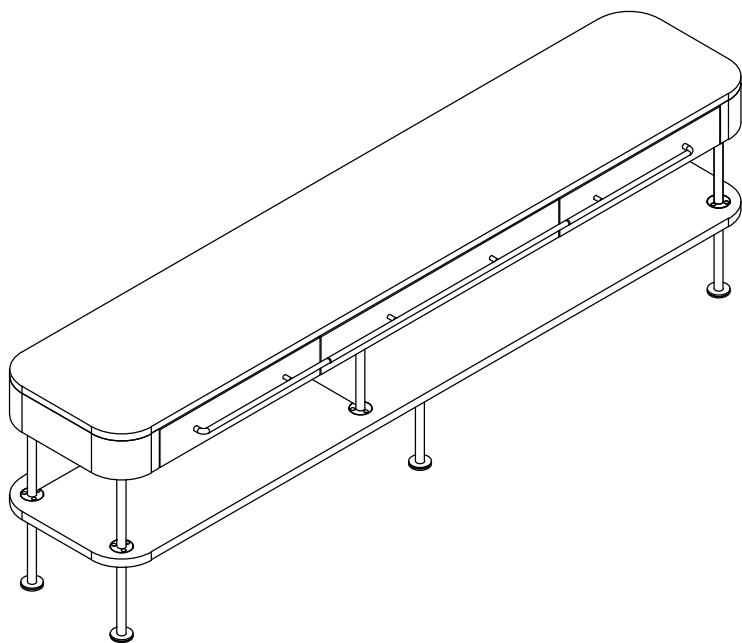





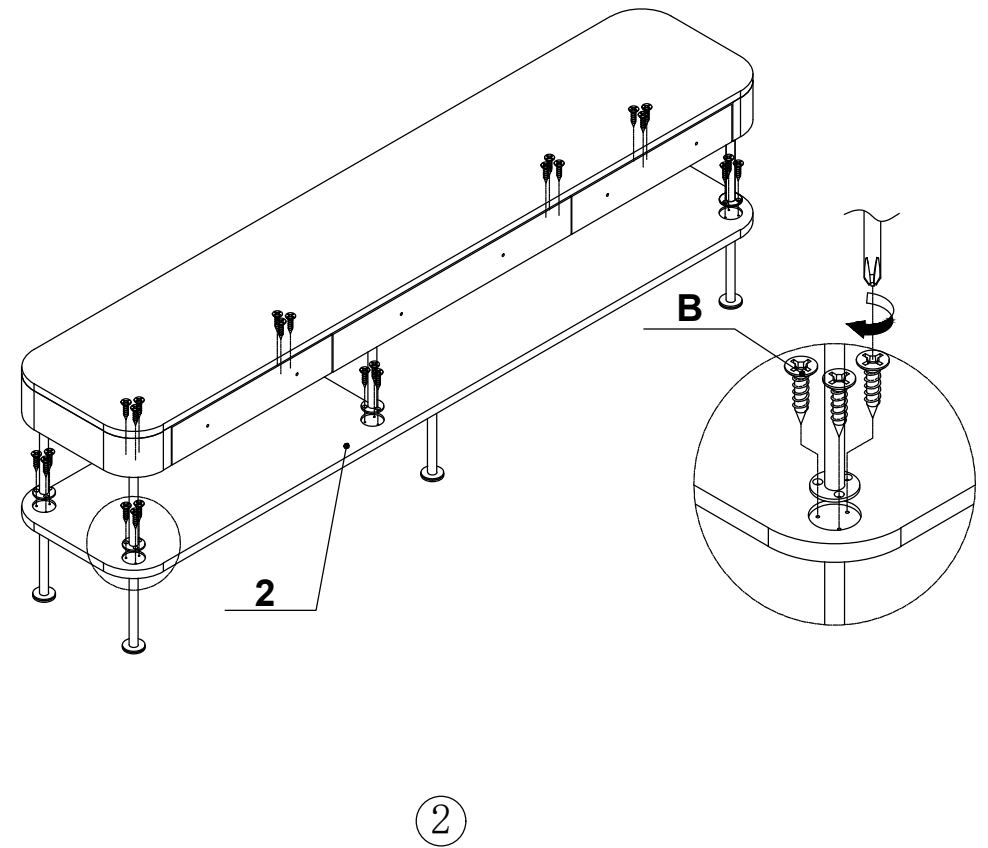
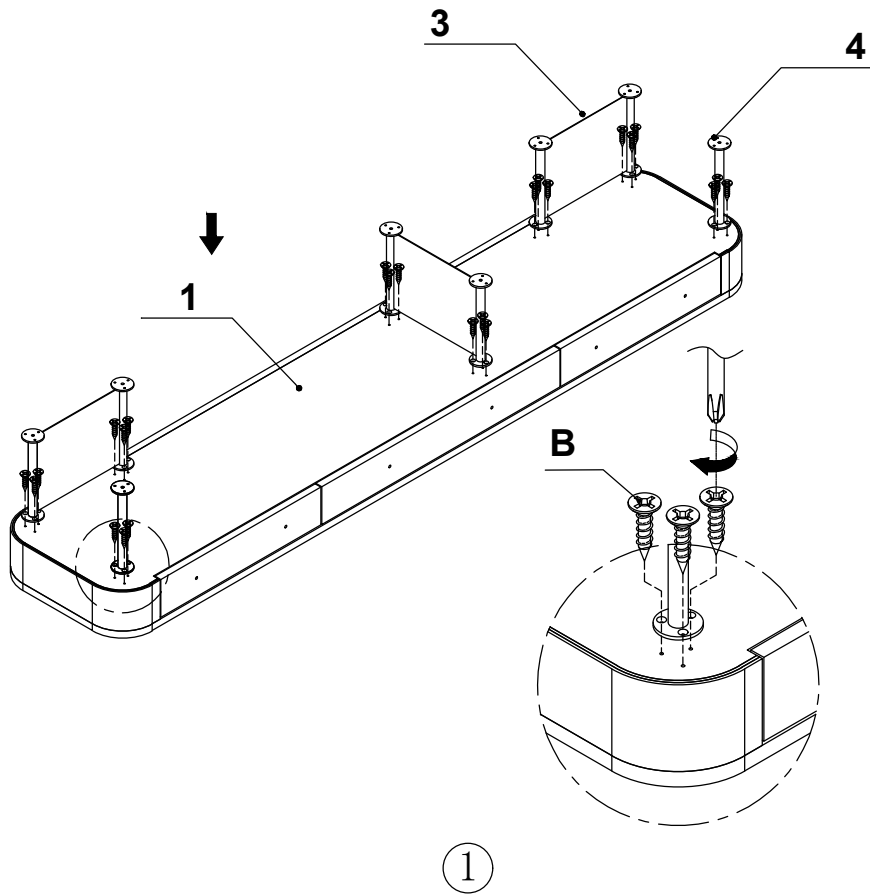
# 85554

TV Shelf Montieri Anthracite

**KARE**  
DESIGN

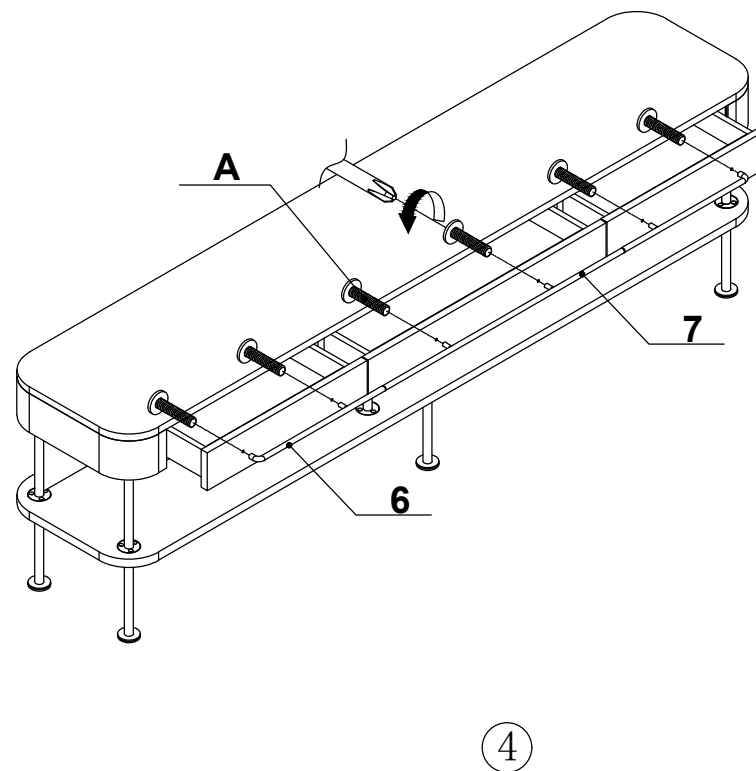
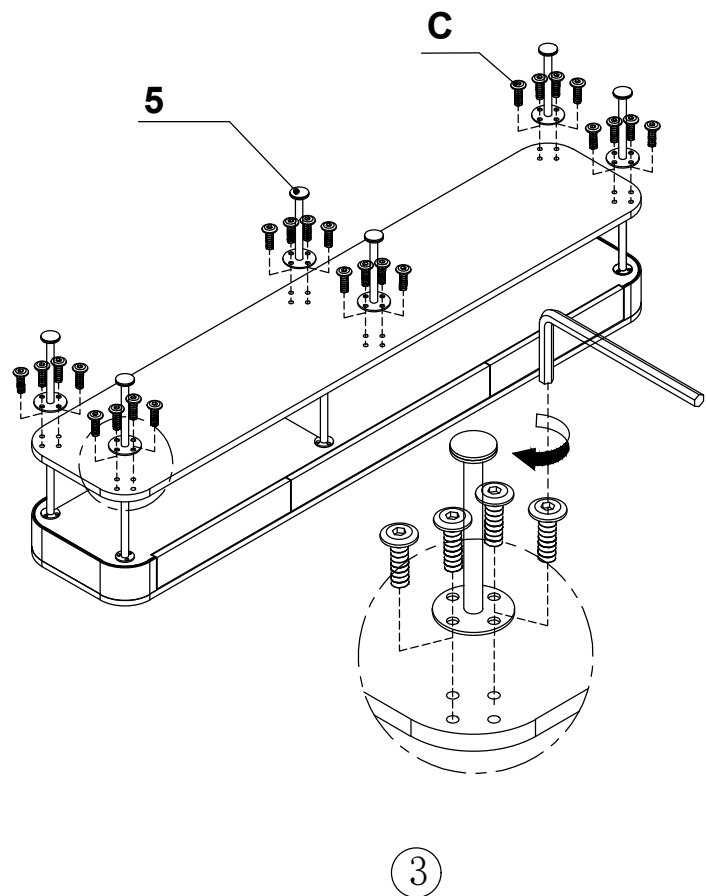


- A**  M4\*35 = 6x
- B**  M3.5\*20= 48x
- C**  M6\*16 = 24x



**85554**

TV Shelf Montieri Anthracite



**85554**

TV Shelf Montieri Anthracite