



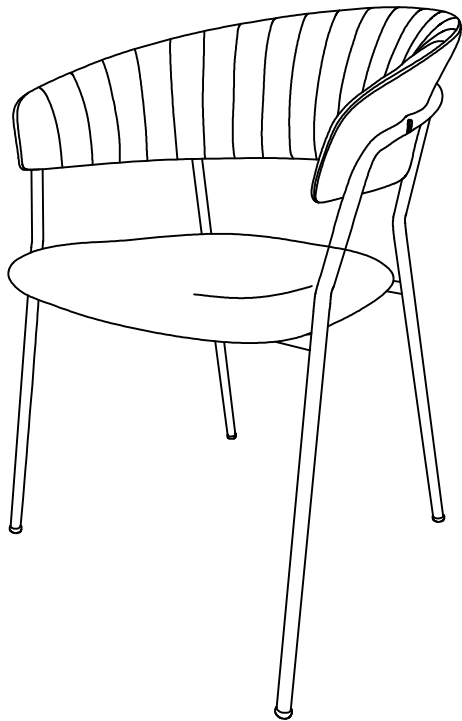
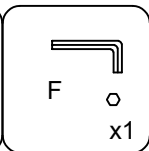
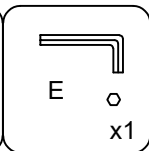
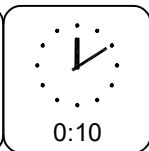
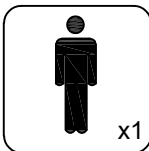


A		x4
B		x2
C		x1
D		x4

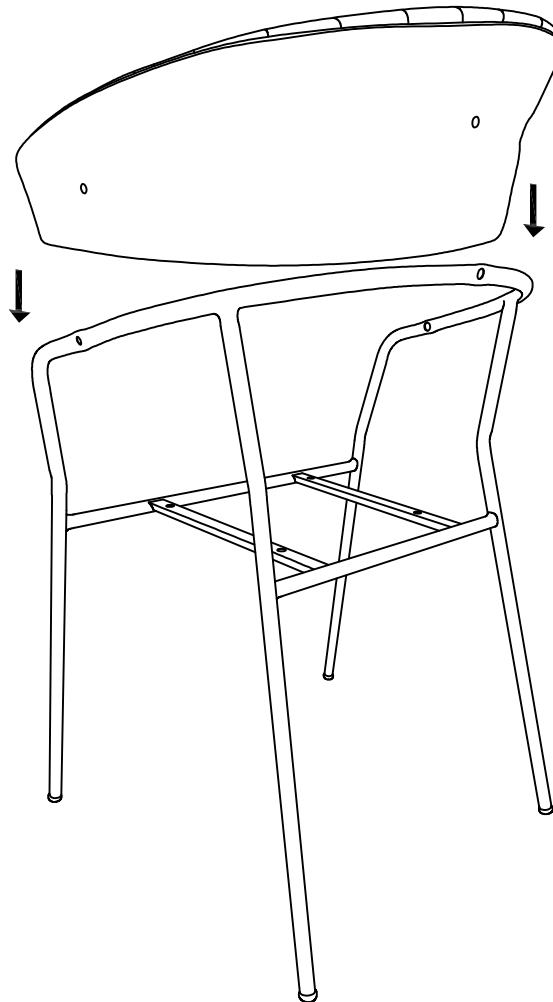
Finish



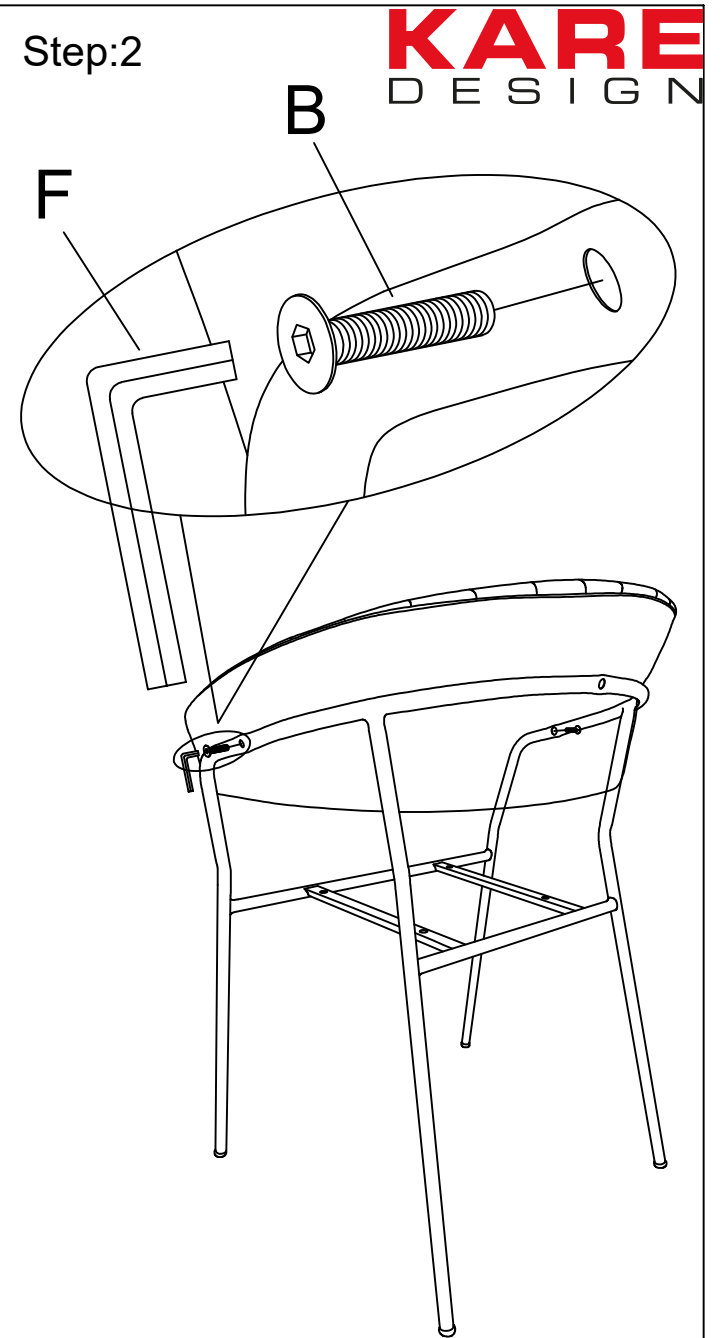
0129571



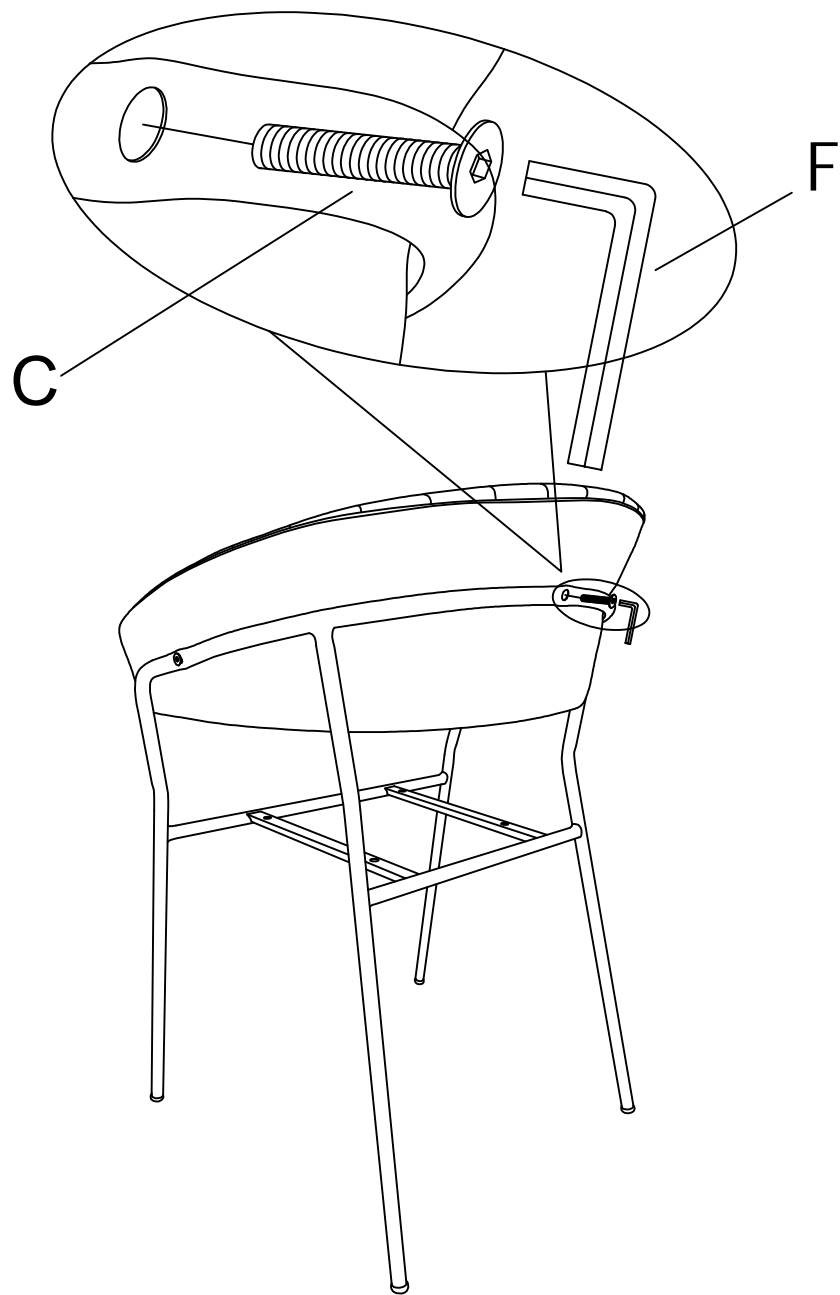
Step:1



Step:2



Step:3



Step:4

KARE
DESIGN

