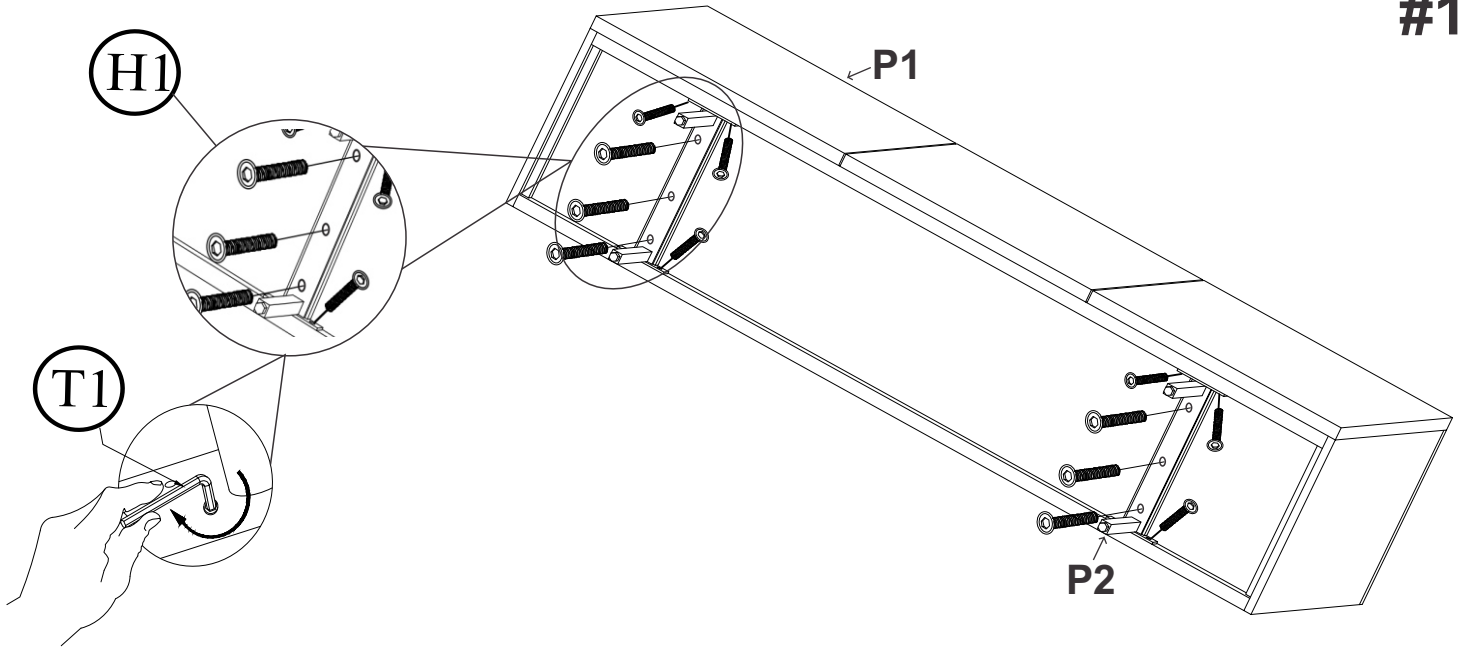
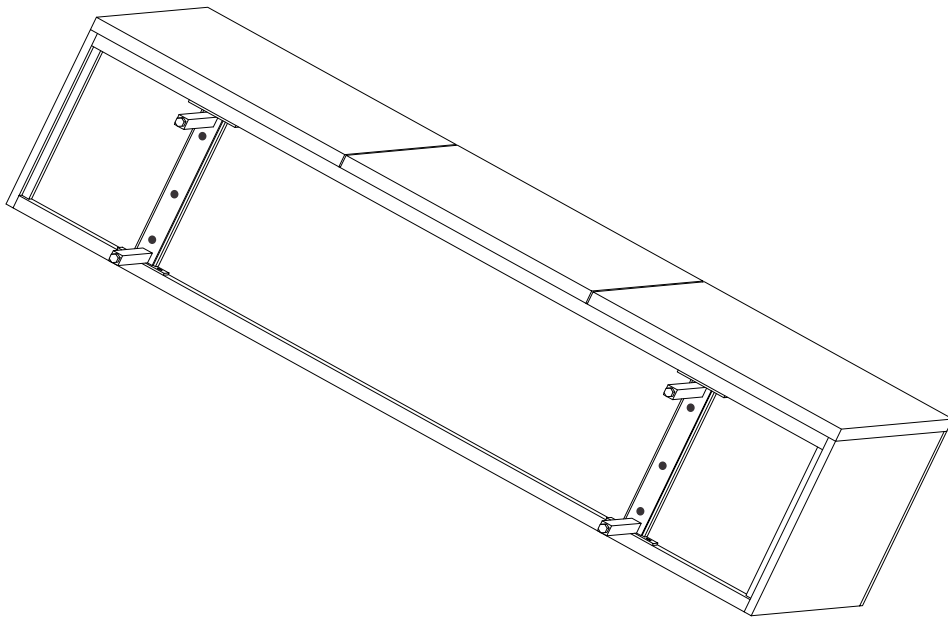


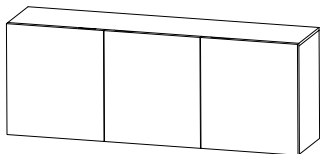
#1



#2

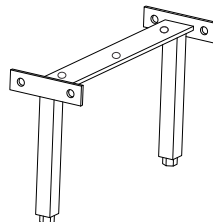


P1



1 Pcs

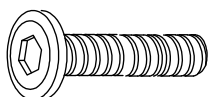
P2



2 Pcs

H1

8x20MM

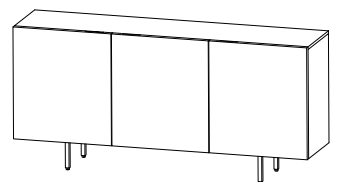


14 Pcs

T1



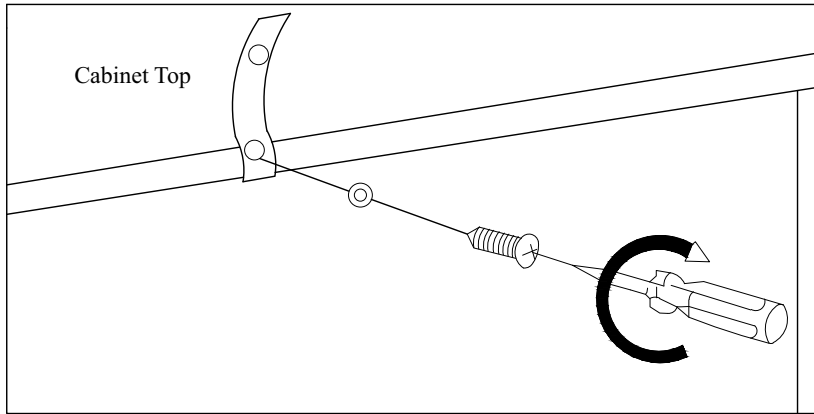
1 Pc



MANDATORY : TIP STRAP FITTING INSTRUCTIONS

KARE
DESIGN

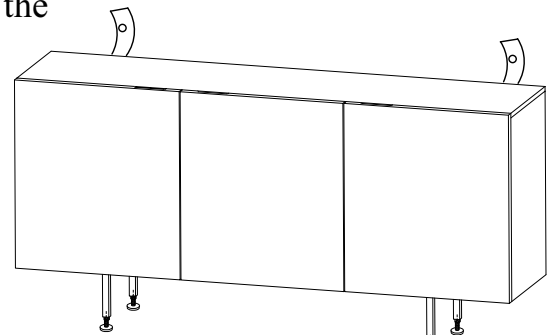
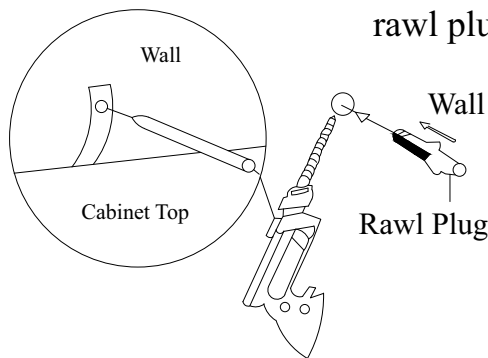
87179 - SIDEBORD HAMMER 160X75CM



Drill a hole in the wall and insert the rawl plug .

STEP : 2

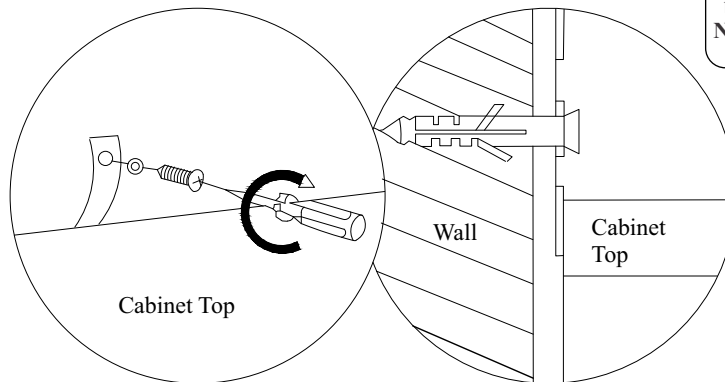
Make a mark on the wall through the strap .



Hinweis: Stellen Sie die Nivelliergeräte ein bessere Bodenstabilität.
Note: Adjust levels for better ground stability.

STEP : 3

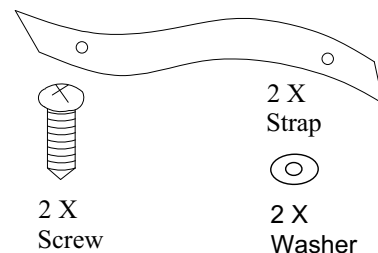
Insert screw through washer into hole in wall



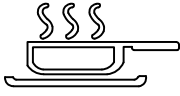
NOTE: Wall Fixings are not supplied with this product as different wall materials require different types of fixing devices (such as Rawl plugs on brick work) You must use fixing devices suitable for the type of wall you intend to mount this product to. Please ensure that the head of any screw used has a diameter greater than the diameter of the mounting hole on the product and that the fixing is safe and secure before use.

The strap and screw which to fix the strap on to the furniture are provided only.

HARDWARE LIST



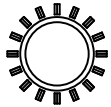
Care & Maintenance



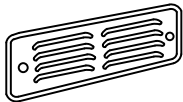
Do not put hot items directly on furniture surface.



Do not clean furniture with harsh cleansers or polish.



Do not place furniture in direct sunlight.



Do not place furniture near heating or cooling vents.



Do not write on furniture without a padded barrier to protect the surface.



Do not place furniture outside. For indoor use only.



Dust and pick-up spills using a clean, non-colored, lint-free cloth.



Stains may be removed with mild soap solution and damp cloth.