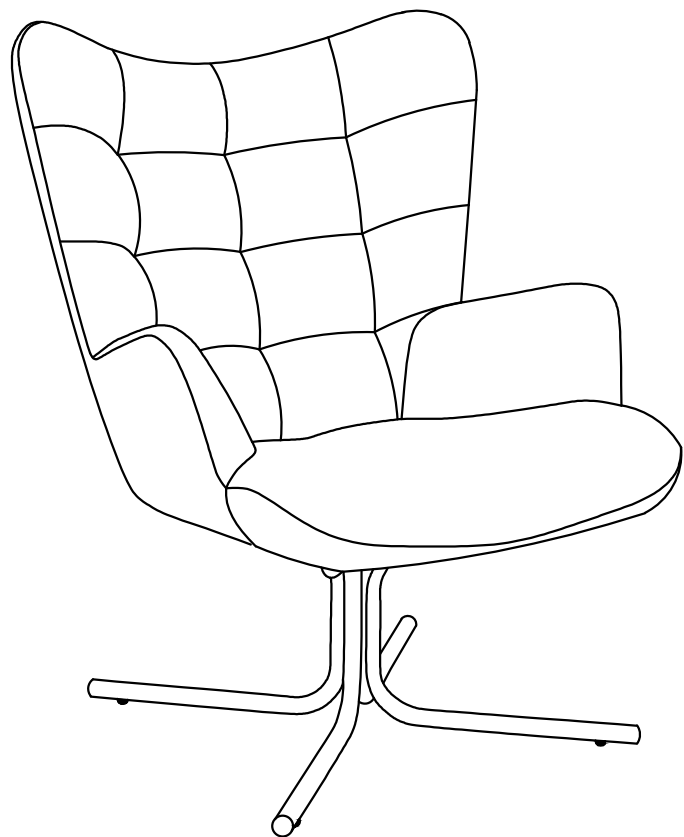
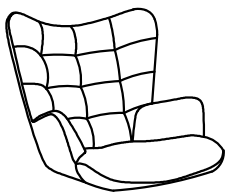


**KARE**  
DESIGN

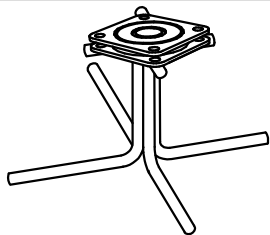
29931 Swivel Armchair Oscar Cat 1 Individual



A\*1



B\*1



C\*2



M6x45

D\*2

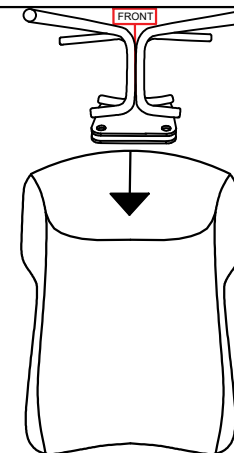


M6x25

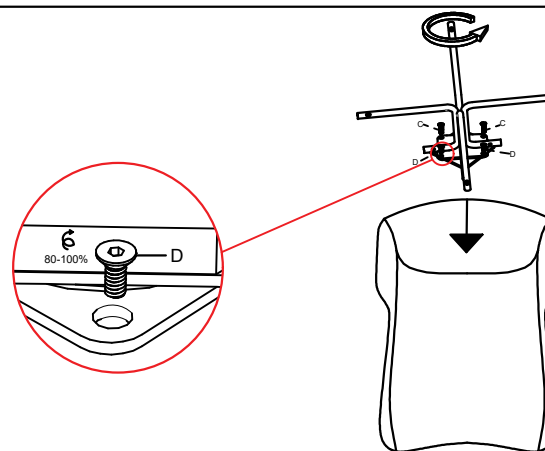
E\*1



1



2



3

