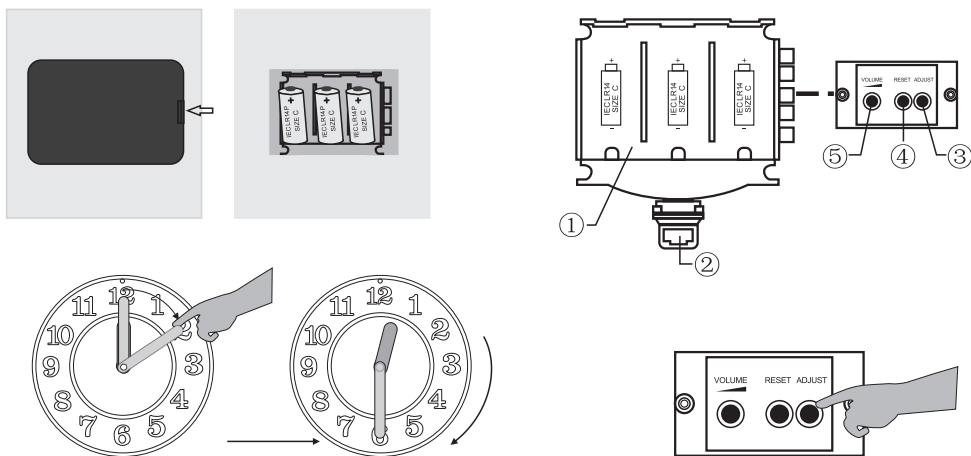


OPERATING MANUAL

- (A) Remove the back cover and insert three "C" batteries (not included) into compartment ①, then the timekeeping will begin.
- (B) Hanging the pendulum in this holder ②, place chain hooks on the weight rings and hang the carved faux weights on chains attached to the bottom of case.
- (C) Gently push pendulum to one side to start swinging motion.
- (D) Move the minute hands to the correct time by hand.
- (E) Push the reset button ④, cuckoo hour will be automatically corrected at 6:00 a.m..
- (F) Adjust the cuckoo hour by pushing the button ③ until matches the correct time.(e.g.After reset the cuckoo hour remains 6:00 a.m..Now if you push twice,the cuckoo hour would be 8:00 a.m.;push seven times,the cuckoo hour would be 1:00 p.m..)
- (G) Switch the volume control ⑤ (high-low)to meet your need.
- (H) Please change new battery in time in case of abnormal cuckoo sound and cuckoo's not coming out when alarms.
- (I) We recommend that batteries be changed twice a year at least for optimum performance and enjoyment.



This cuckoo hour would be shut off automatically between 10:00 p.m.-5:00 a.m..

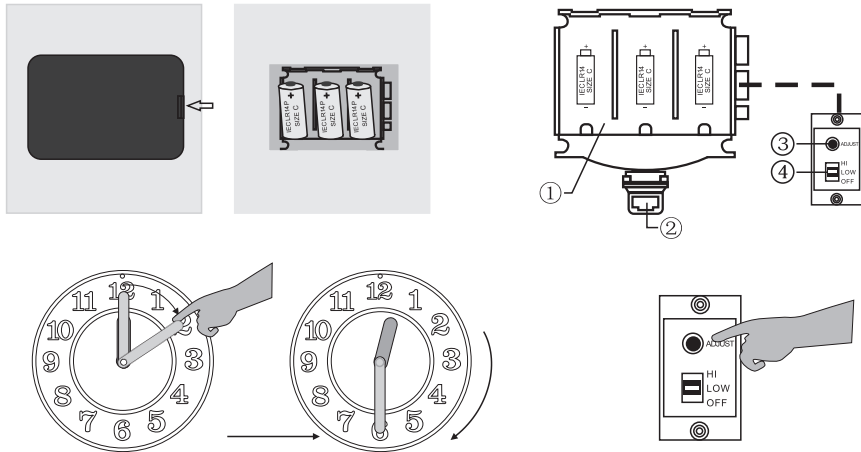


- ① BATTERY COMPARTMENT
 ② PENDULUM HOLDER
 ③ CUCKOO ADJUST
 ④ AUTO RESET BUTTON
 ⑤ VOLUME CONTROL S/W

英文说明书
 尺寸：210X148mm
 材质：80g铜版纸
 数量：300张

OPERATING MANUAL

- (A) Remove the back cover and insert three "C" batteries(not includes)into compartment①, then the timekeeping will begin.
- (B) Hanging the pendulum in this holder②, place chain hooks on the weight rings and hang the carved faux weights on chains attached to the bottom of case.
- (C) Gently push pendulum to one side to start swinging motion.
- (D) Move the minute hands to the correct time by hand.
- (E) Push the cuckoo adjust button③ to check the current cuckoo hour.
- (F) Adjust the cuckoo hour by pushing the button③ until matches the correct time.
- (G) Switch the volume control④ (high-low)to meet your need.
- (H)Please change new battery in time in case of abnormal cuckoo sound and cuckoo's not coming out when alarms.
- (I) We recommend that the batteries should be changed twice a year at least for optimum performance and enjoyment.



- ①BATTERY COMPARTMENT
 ②PENDULUM HOLDER
 ③CUCKOO ADJUST
 ④VOLUME CONTROL S/W

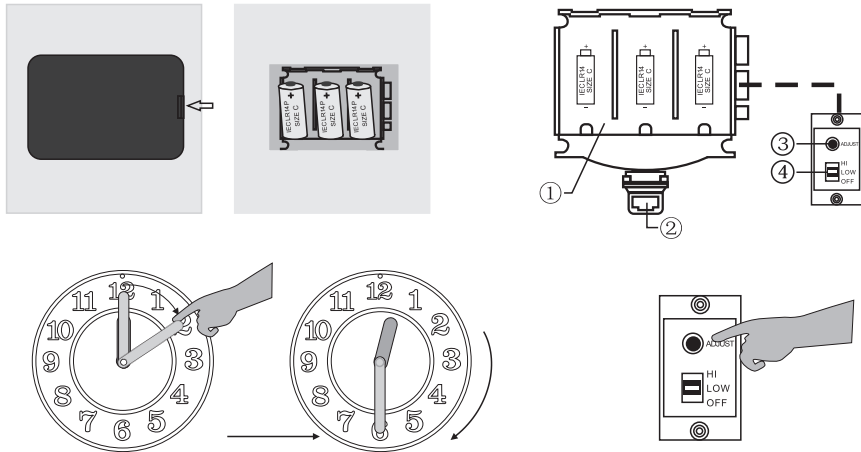


Note: This product contains function of light control sensor. The sensor will automatically shut off cuckoo melodies in the darkness.

英文说明书
 尺寸：210X148mm
 材质：80g铜版纸
 数量：204张

OPERATING MANUAL

- (A) Remove the back cover and insert three "C" batteries(not includes)into compartment①, then the timekeeping will begin.
- (B) Hanging the pendulum in this holder②, place chain hooks on the weight rings and hang the carved faux weights on chains attached to the bottom of case.
- (C) Gently push pendulum to one side to start swinging motion.
- (D) Move the minute hands to the correct time by hand.
- (E) Push the cuckoo adjust button③ to check the current cuckoo hour.
- (F) Adjust the cuckoo hour by pushing the button③ until matches the correct time.
- (G) Switch the volume control④ (high-low)to meet your need.
- (H)Please change new battery in time in case of abnormal cuckoo sound and cuckoo's not coming out when alarms.
- (I) We recommend that the batteries should be changed twice a year at least for optimum performance and enjoyment.



- ①BATTERY COMPARTMENT
 ②PENDULUM HOLDER
 ③CUCKOO ADJUST
 ④VOLUME CONTROL S/W



Note: This product contains function of light control sensor. The sensor will automatically shut off cuckoo melodies in the darkness.

英文说明书
 尺寸：210X148mm
 材质：80g铜版纸
 数量：300张