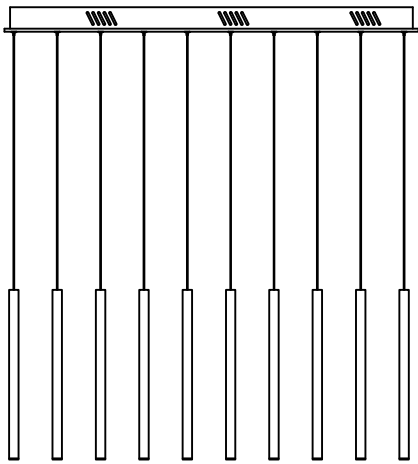
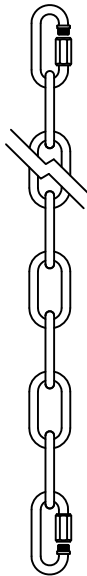




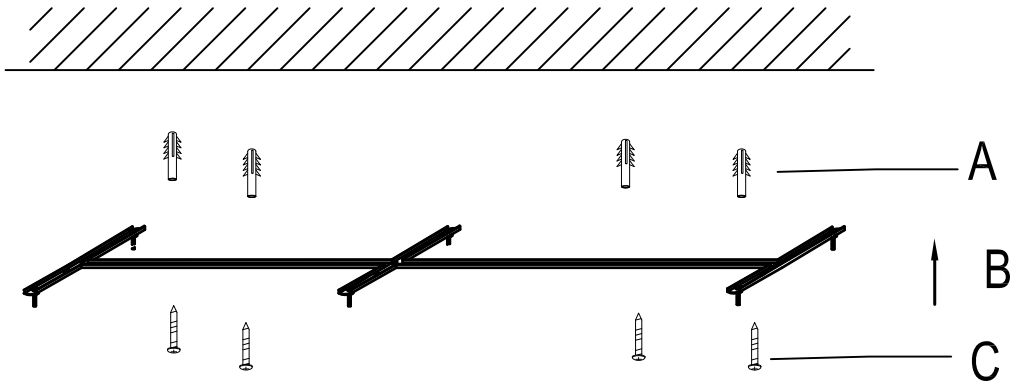
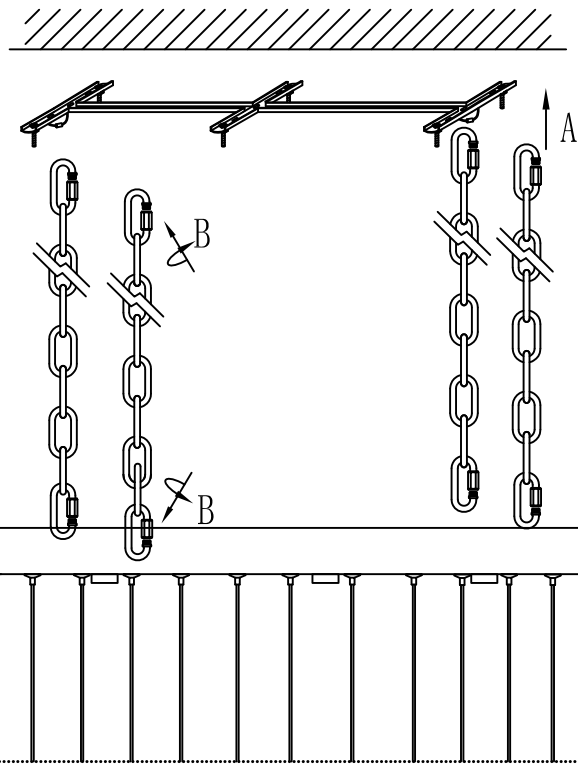


Before getting started, ensure the package contains the following components.

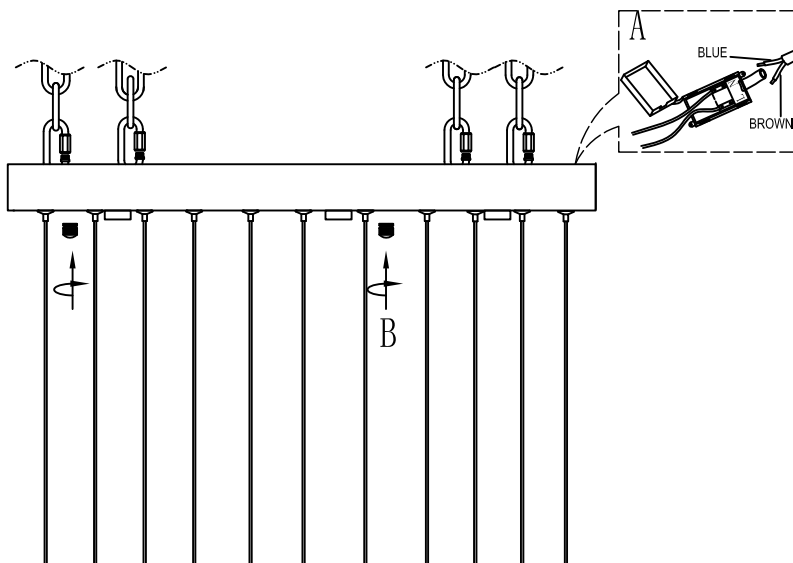
<p>(A)</p>	 <p>FIXTURE</p>	<p>x1</p>	<p>(F)</p>		<p>x4</p>
<p>(B)</p>	 <p>MOUNTING BRACKET</p>	<p>x1</p>			
<p>(C)</p>	 <p>Expansive rubber plug (Not included)</p>	<p>x6</p>			
<p>(D)</p>	 <p>SCREW (Not included)</p>	<p>x6</p>			
<p>(E)</p>	 <p>MOUNTING SCREWS</p>	<p>x6</p>			



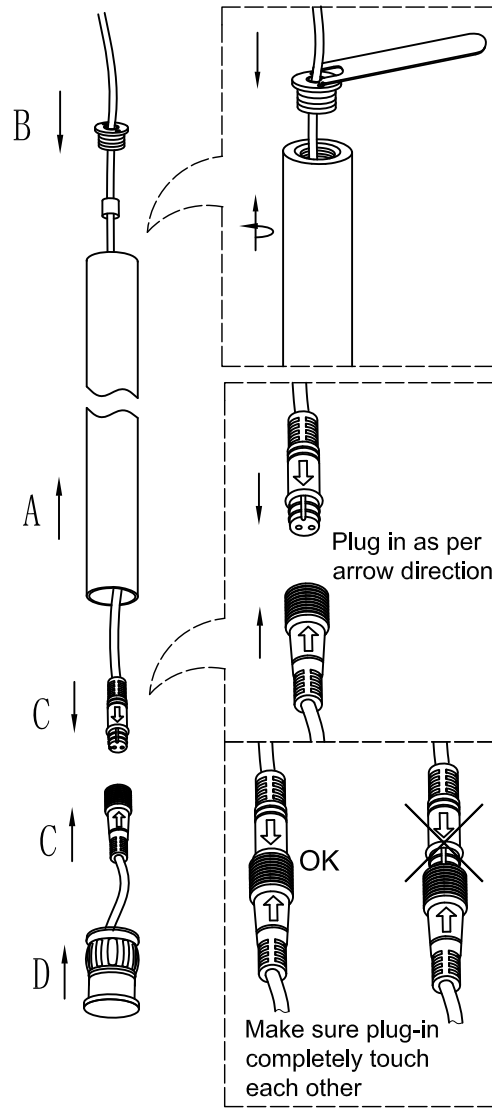
1.



2.



3.



1.