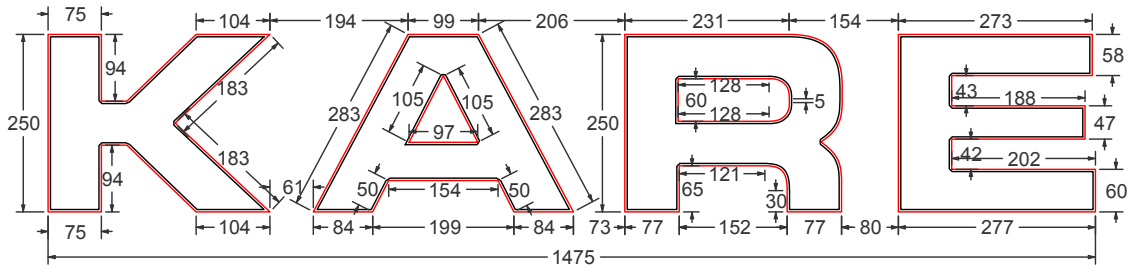


KARE 43066
Set of KARE Logo Wall Lamp
25 cm height

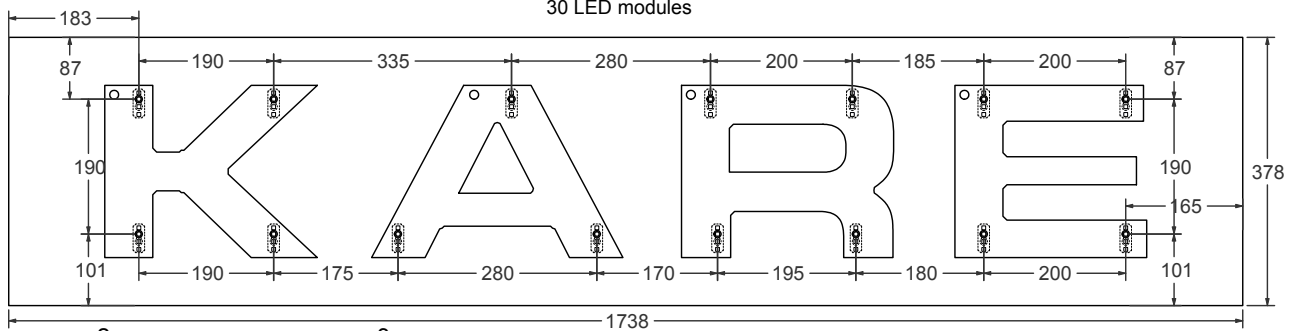
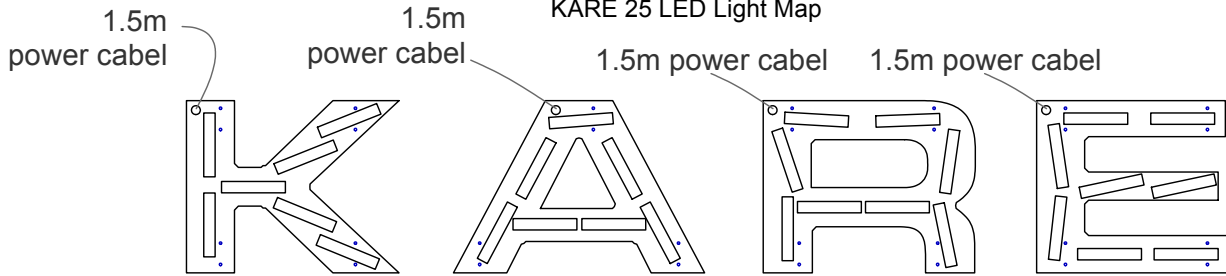
Installation Guide

KARE
DESIGN

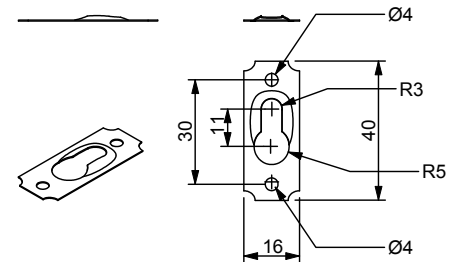
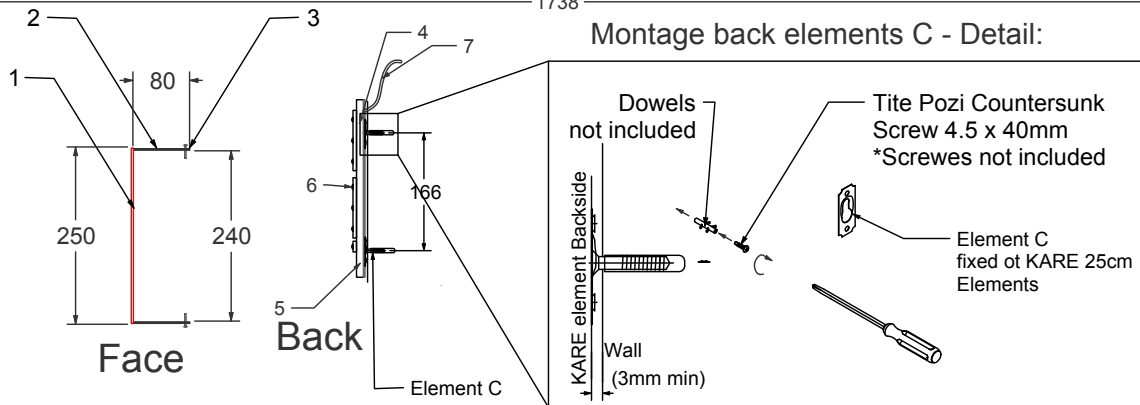
KARE 25 Elements Dimmensions



KARE 25 LED Light Map



Montage back elements C - Detail:



1. Face - Red Plexiglass
2. Board - 100mm al. composit panels connected with face
3. Board connectors (DIN 7981 Phillips Pan Head)
4. Back side 12mm PVC and 1.5mm Aluminium with LED
5. 15pcs, Montage (elements C)
6. 30 pcs. LED Light elements (BMS-S32-O3D120R)
7. 1.5m External Back Power Cabel DC 12V
8. External Power Transformator:
BP-V12-600 LEDOM Baltled 100W 120mVp-p

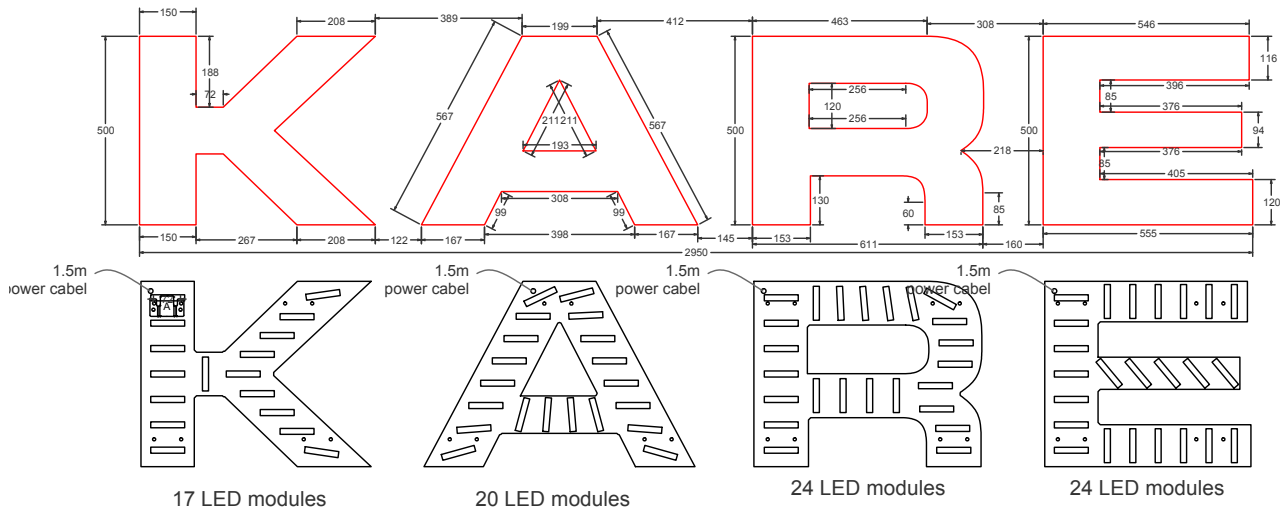
KARE Dimmensions: W1475x H250mm
LED Light Modules : Baltled BMS-S32-03B120R
Luminous flux: 480 lm
Power: 223W
Transformator: 1xBP-V121000 LED OM Baltled 102W120mVp-p
(Input: 220/240V AC - Output : 12V DC)

KARE 43078
Set of KARE Logo Wall Lamp
50 cm height

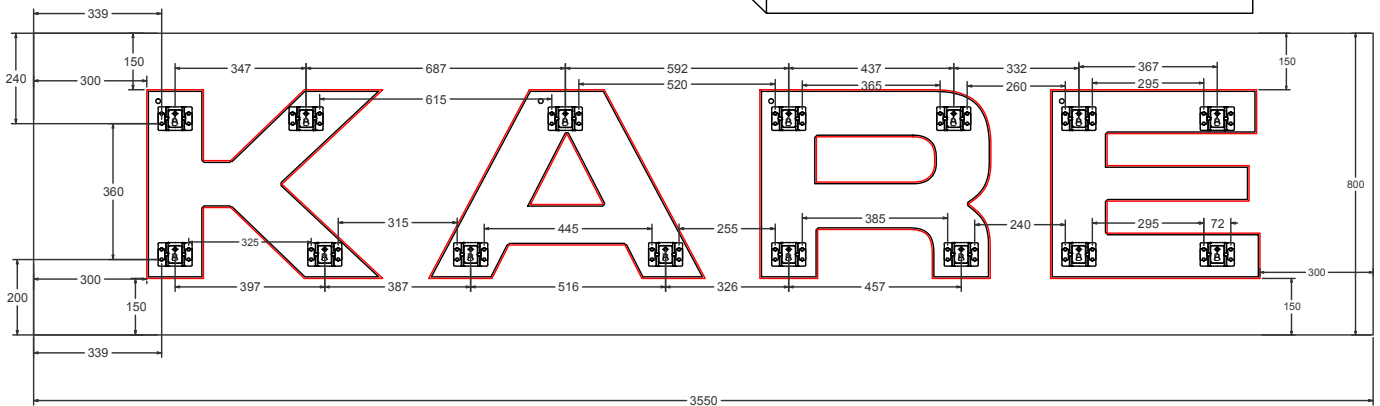
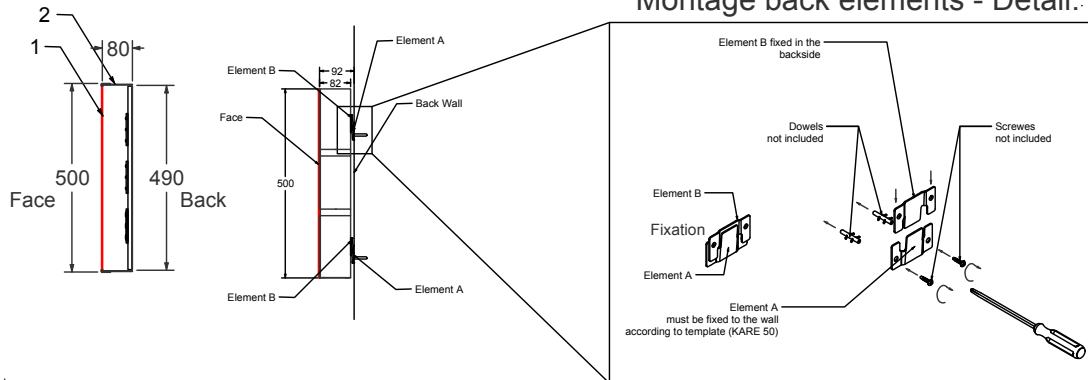
Installation Guide

KARE DESIGN

KARE Elements Open Back Face LED View



Montage back elements - Detail:



1. Face - Red Plexiglass
2. Board - 100mm al. composited panels connected with face
3. Board connectors (DIN 7981 Phillips Pan Head)
4. Back side 12mm PVC and 1.5mm Aluminium with LED
5. 24pcs, Montage (elements B)
6. 75 pcs. LED Light elements (BMS-S32-O3D120R)
7. 1.5m External Back Power Cabel DC 12V
8. External Power Transformator:
BP-V12-1000 LEDOM Baltled 100W 120mVp-p
9. 24 pcs. Montage (elements A)

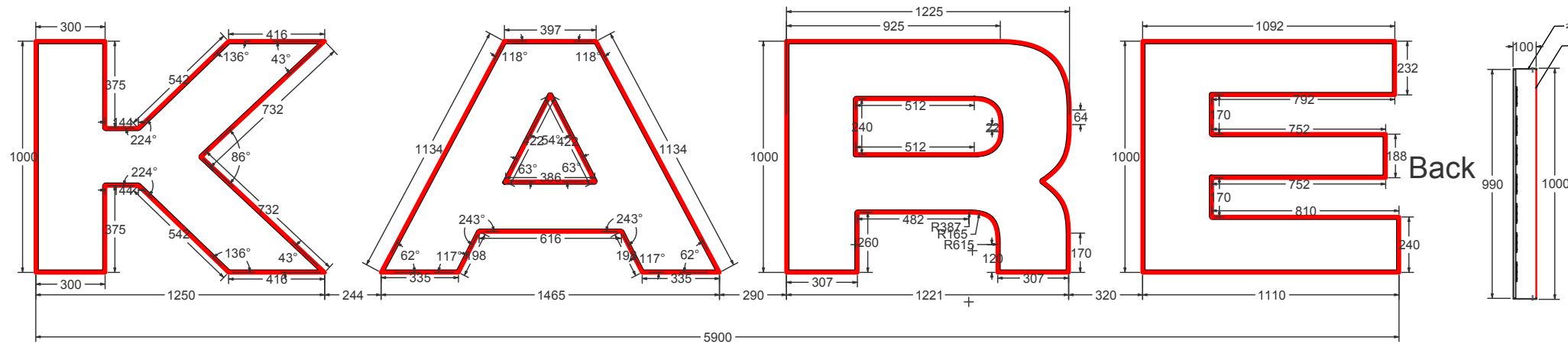
KARE Dimmensions: W2950x H500mm
LED Light Modules : Baltled BMS-S32-03B120R
Luminous flux: 1200 lm
Power: 223W
Transformator: 1xBP-V121000 LED OM Baltled 102W120mVp-p
(Input: 220/240V AC - Output : 12V DC)

KARE 43084
Set of KARE Logo Wall Lamp
100 cm height

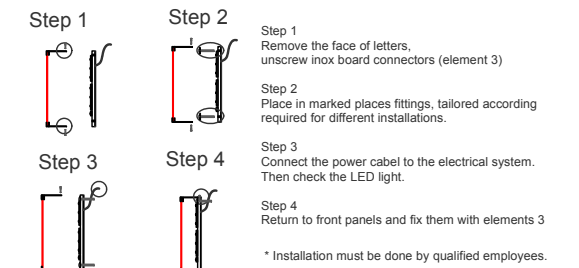
Installation Guide



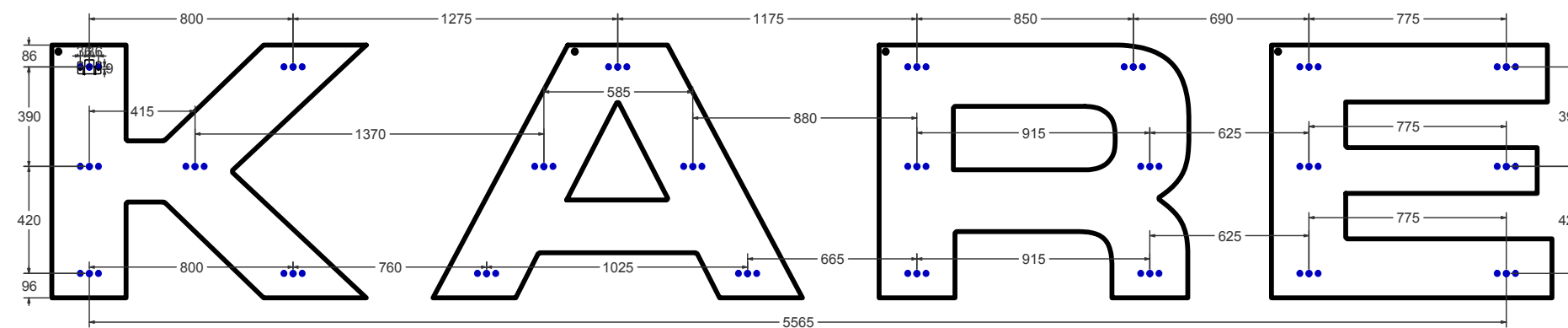
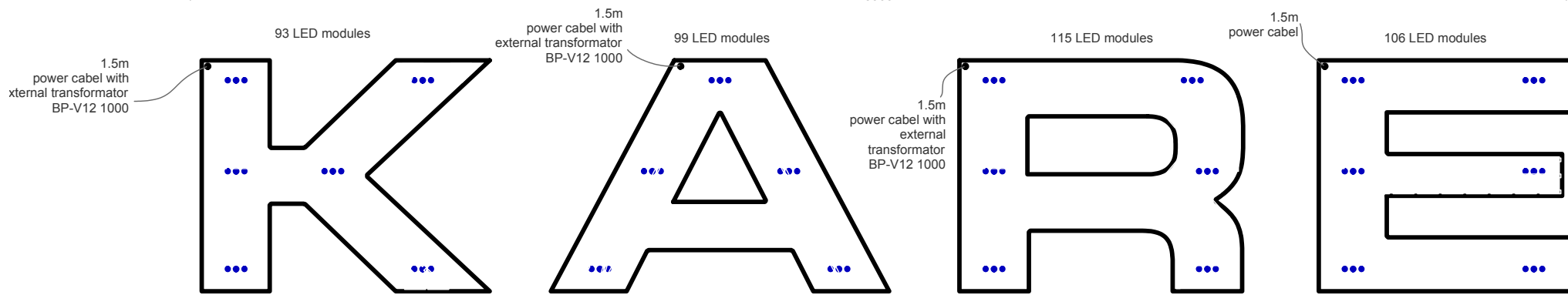
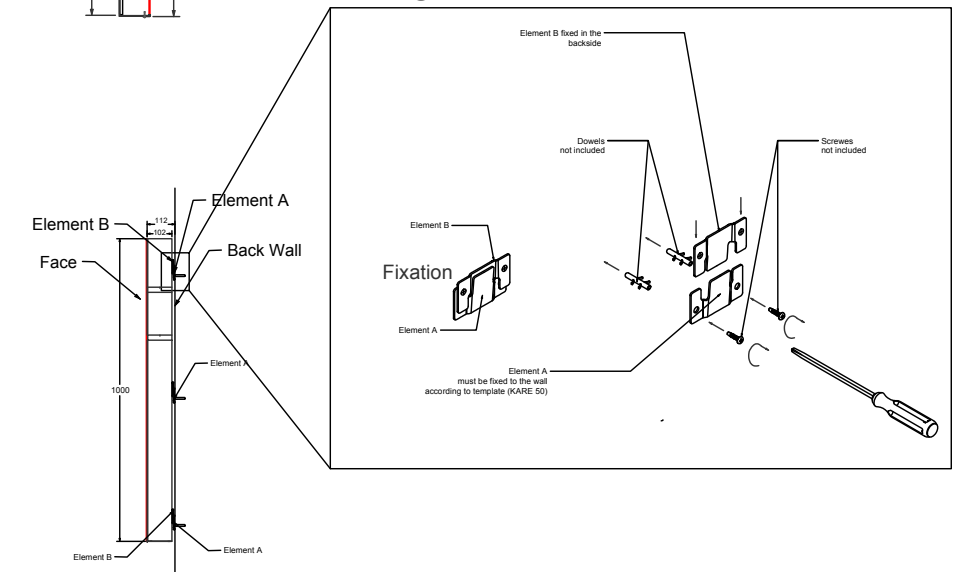
KARE 100 LED Light Map



Montage back elements - V1 Detail:



Montage back elements - V2 Detail:



1. Face - Red Plexiglass
2. Board - 120mm al. composit panels connected with face
3. Board connectors (DIN 7981 Phillips Pan Head)
4. Back side 12mm PVC and 1.5mm Aluminium with LED
5. 24pcs, Montage (elements B)
6. 413 pcs. LED Light elements (BMS-S32-O3D120R)
7. 1.5m External Back Power Cabel DC 12V
8. 4 pcs. - External Power Transformer: BP-V12-1000 LEDOM Baltled 100W 120mVp-p
9. 24 pcs. Montage (elements A)

KARE Dimmensions: W5900x H1000mm
LED Light Modules : Baltled BMS-S32-03B120R
Luminous flux: 6608 lm
Power: 223W
Transformer: 4
1xBP-V121000 LED OM Baltled 102W120mVp-p
(Input: 220/240V AC - Output : 12V DC)