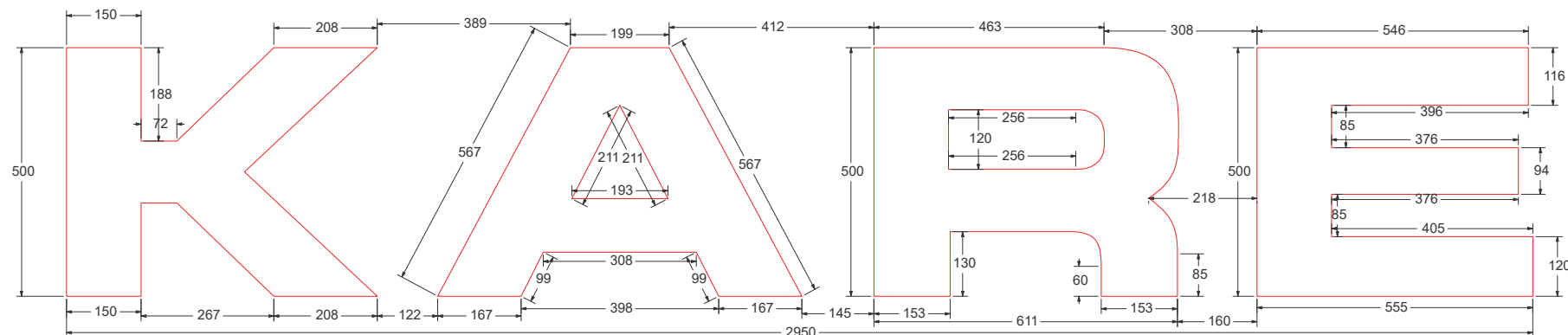


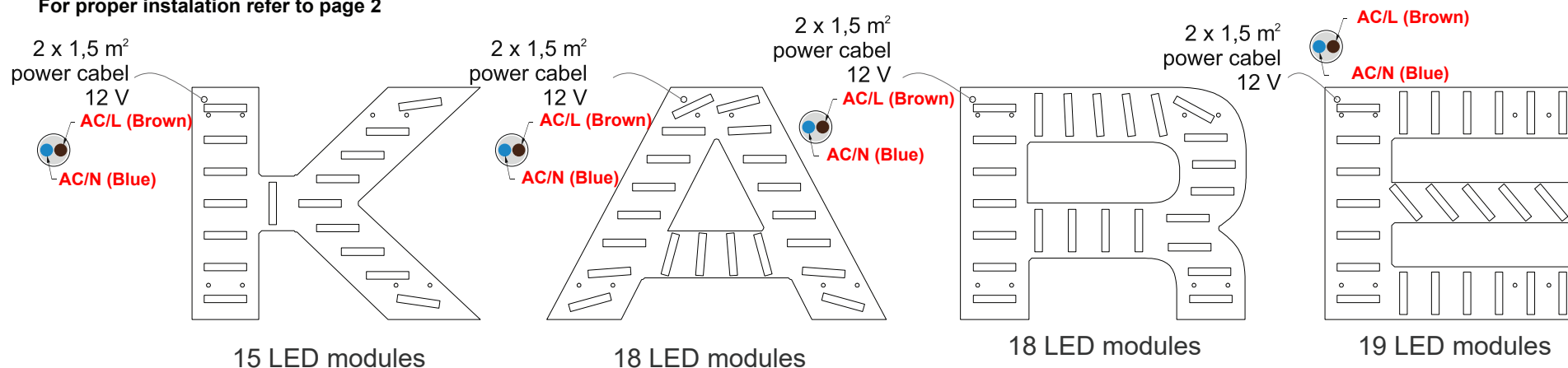
INSTALLATION GUIDE



KARE Elements Open Back Meanwell 60W Face LED View



For proper installation refer to page 2

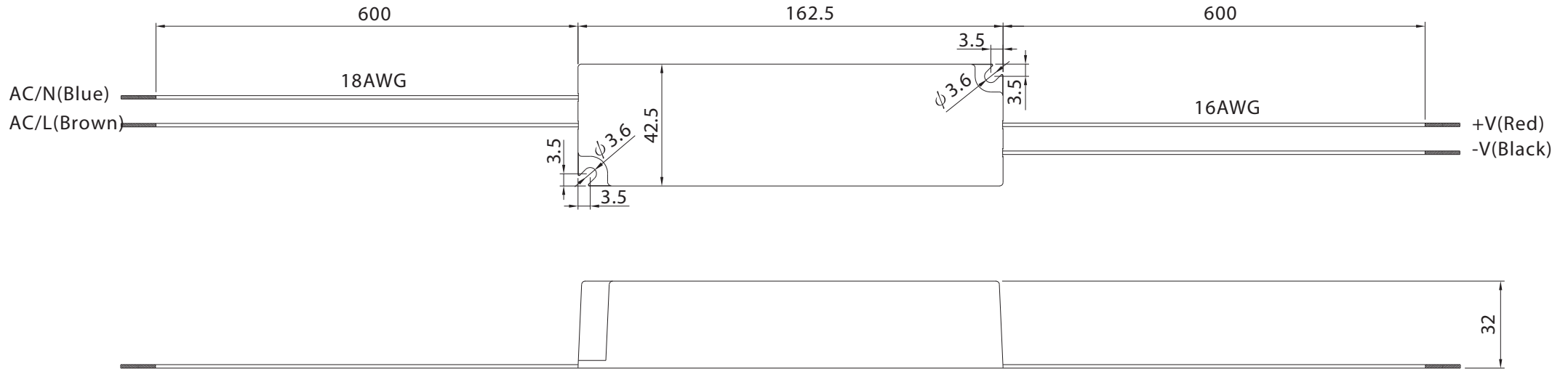


KARE Dimmensions: W2950x H500mm
LED Light Modules : Battled red S1
Luminous flux: 1888 lm, Consumption power: (43W)
Power supply: Meanwell 60W
(Input: 220/240V AC - Output : 12V DC)

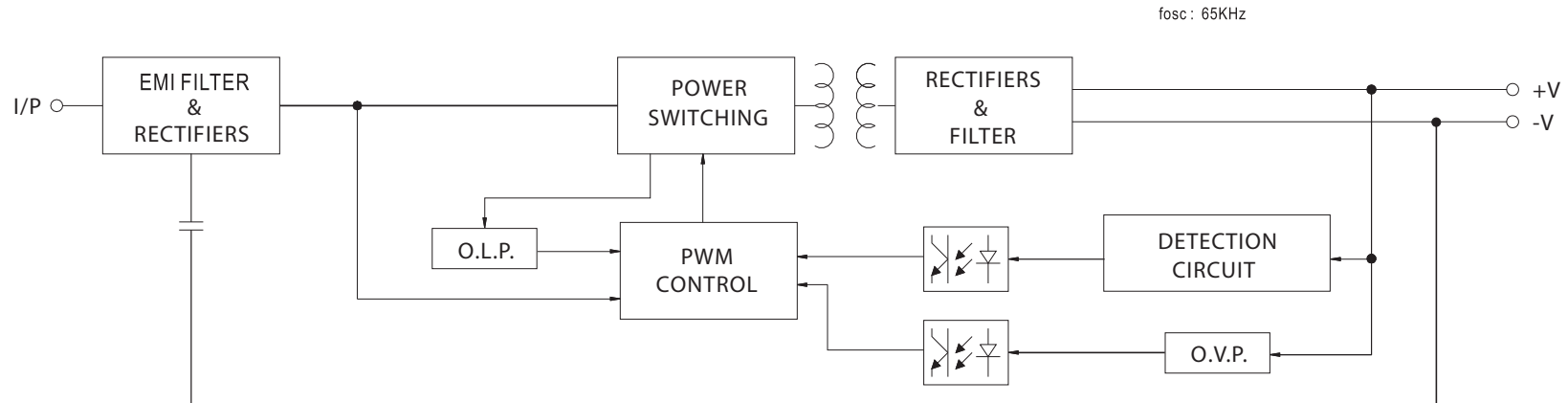
INSTALLATION GUIDE



Mechanical Specification



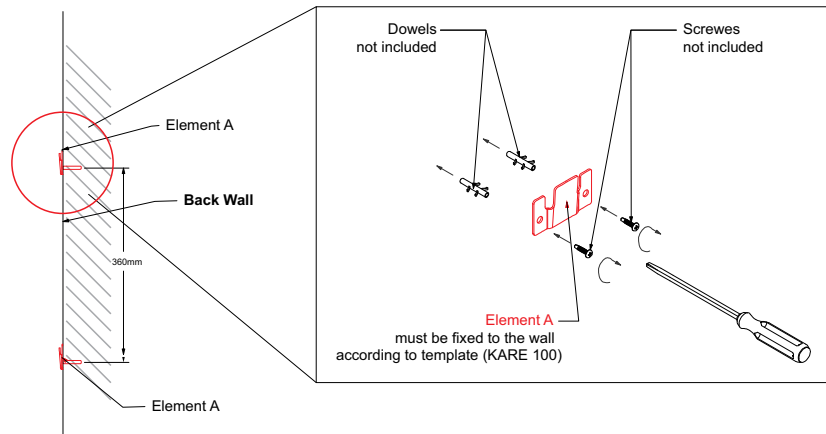
Block Diagram



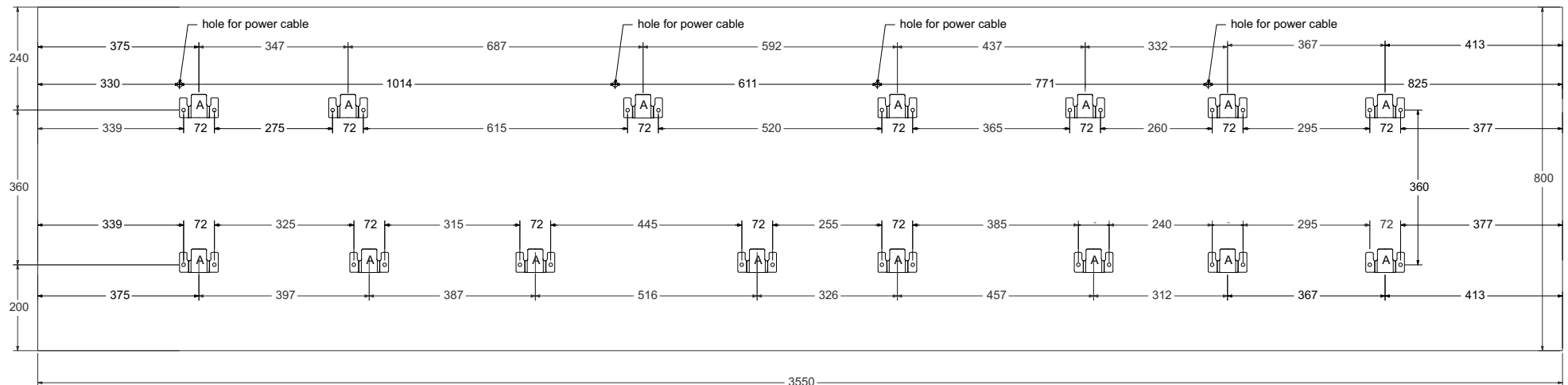
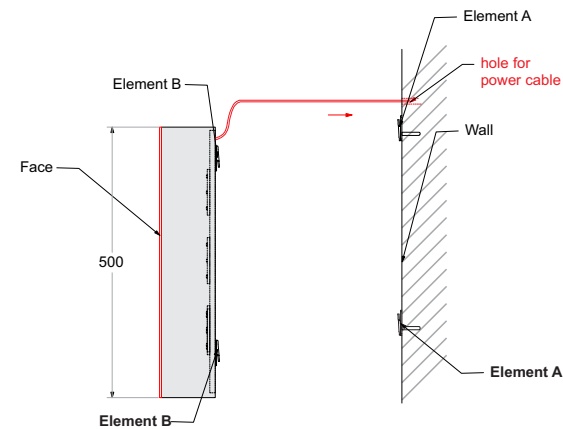
INSTALLATION GUIDE



Step 1 - Installation elements (A) on the wall

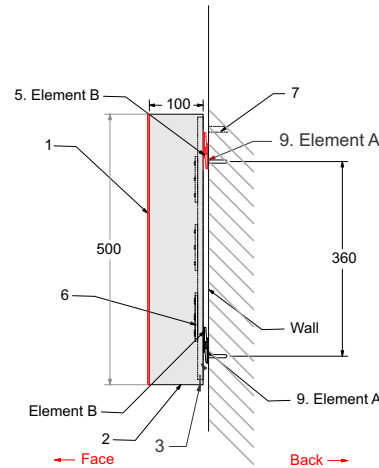
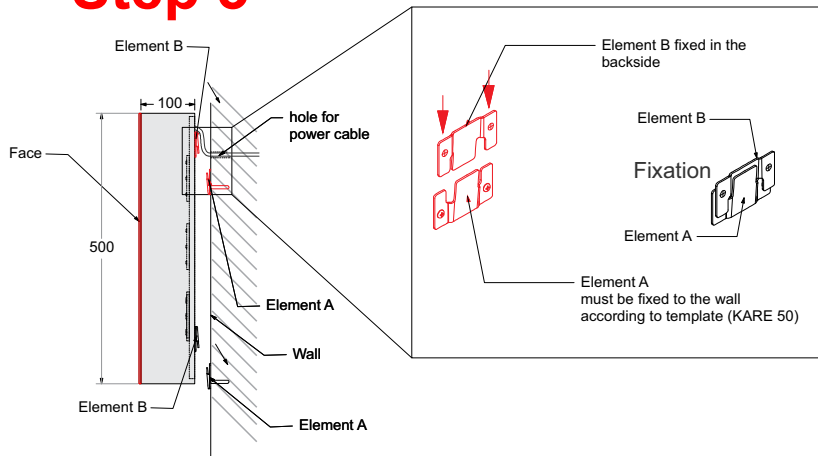


Step 2 - Insert Power Cable in holes on the wall



INSTALLATION GUIDE

Step 3



1. Face - Red Plexiglass
2. Board - 100mm al. composit panels connected with face
3. Back side - 2mm aluminum with 20mm board
5. 15pcs, Montage (elements B)
6. 70 pcs. LED Light elements X 0.62W
7. 1.5m External Back Power Cabel DC 12V
8. External Power supply:
BP-V12-Battled 60W
9. 15 pcs. Montage (elements A)

