

FIG 1

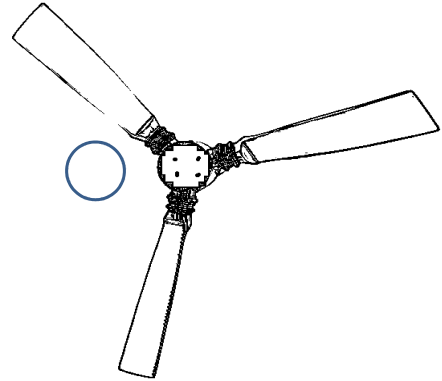


FIG 2

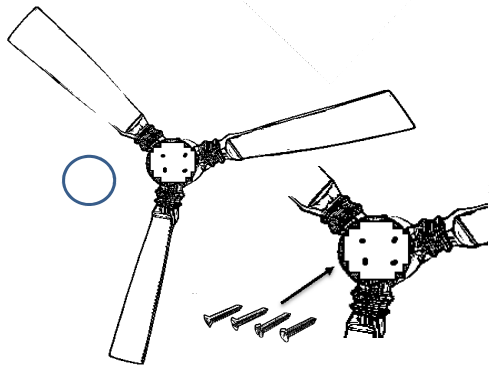


FIG 3

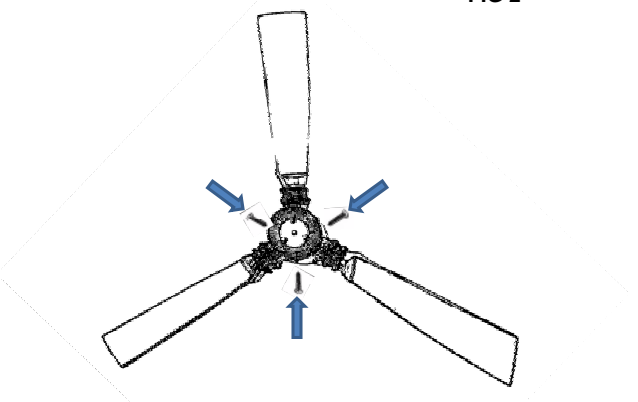
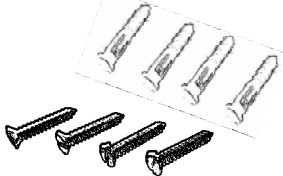


FIG 4

<u>SCREWS &amp; SLEEVES</u>	<u>QUANTITY</u>	<u>REMARKS</u>
	<p>4 PCS.</p> <p><u>3.75 CMS each</u></p>	<p>NOT INCLUDED</p>