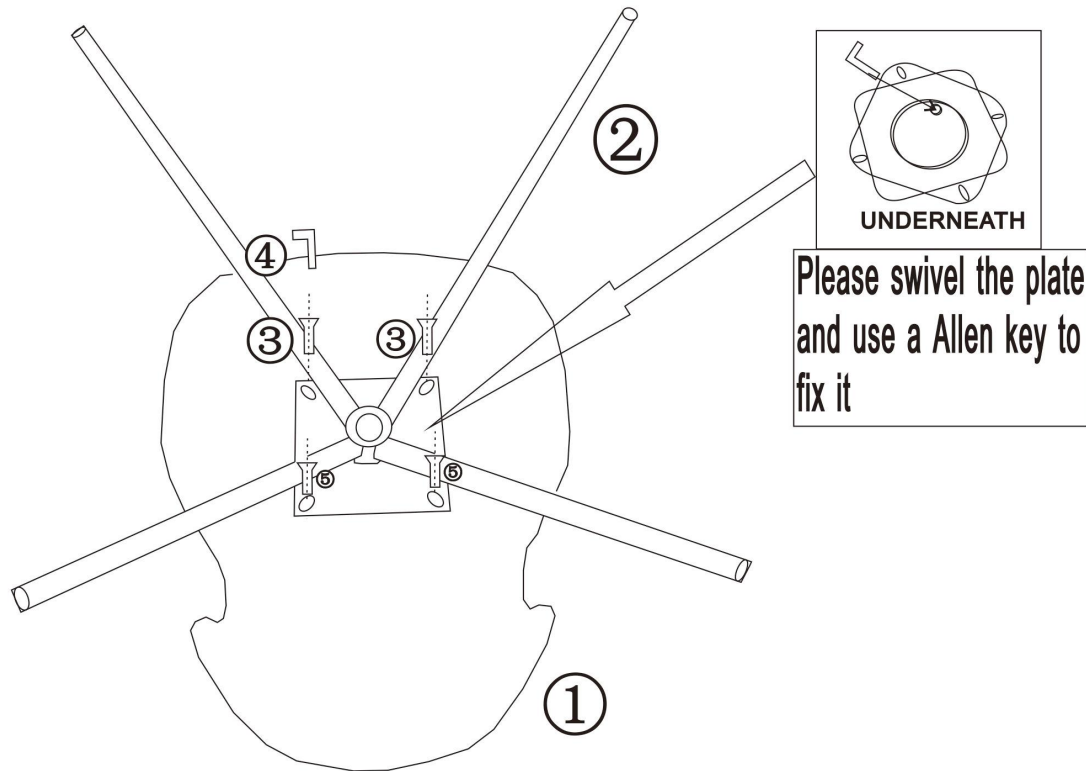


70794 Swivel Chair Golo

KARE
DESIGN

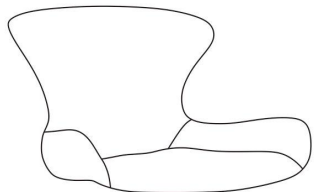
STEP A



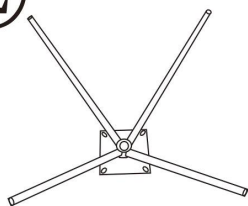
STEP B



①



②



③

Screw



M6x35x2Pcs

④

Spanner



Φ4x2Pcs

⑤

Screw



M6x15x2Pcs