

30min

APPROXIMATE ASSEMBLY TIME

2 PERSONS ASSEMBLY



FLOOR AREA
3.5M x 3.5M



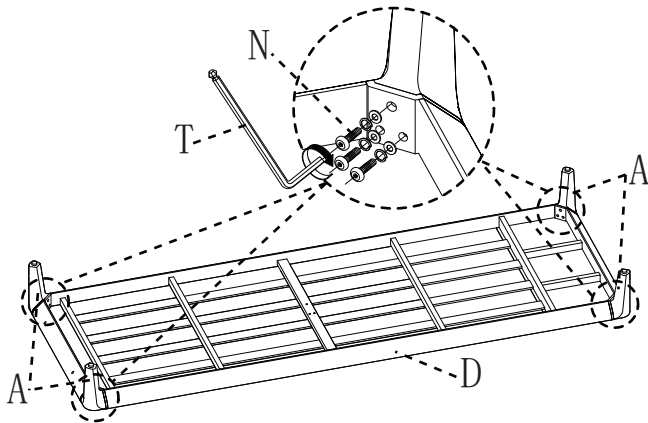
REQUIRED ASSEMBLY SPACE

HARDWARE LIST

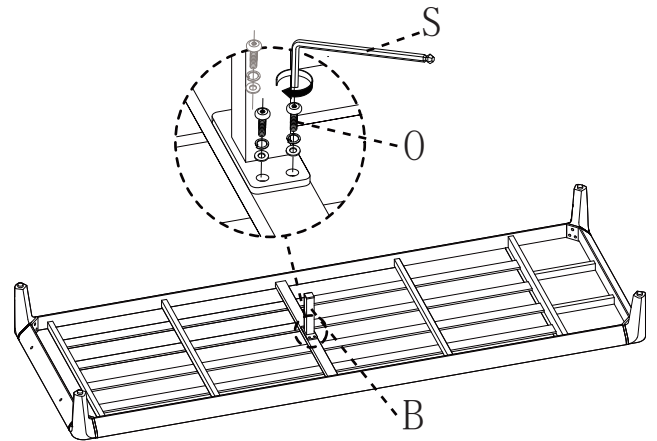
A*8	B*2	C*7	D*1	E*1	F*4	G*1	H*5	I*1	J*1
K*1	L*1	M*1	N*24	O*6	P*8	Q*2	R*1	S*1	T*1

STEP

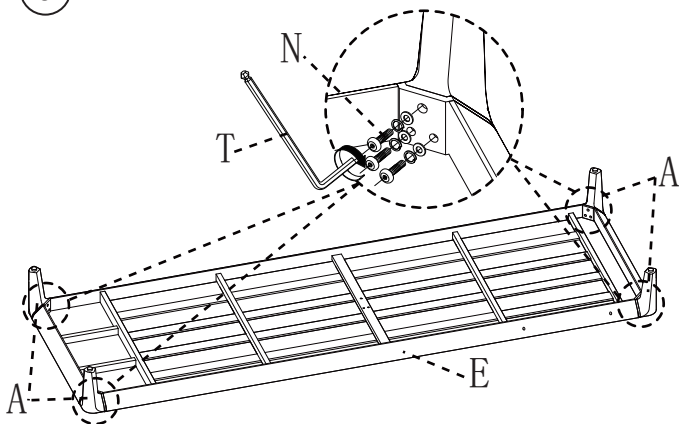
1



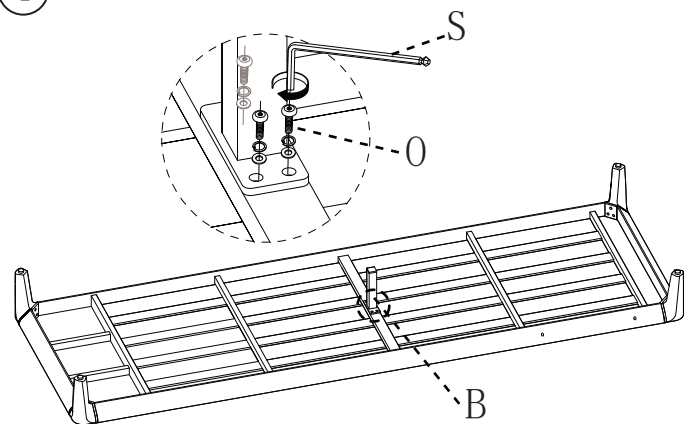
2



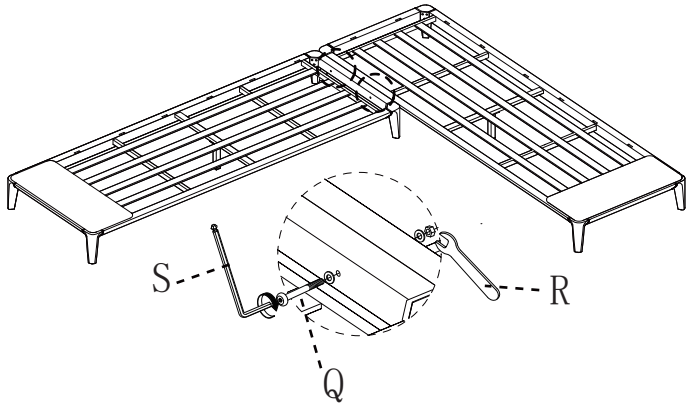
3



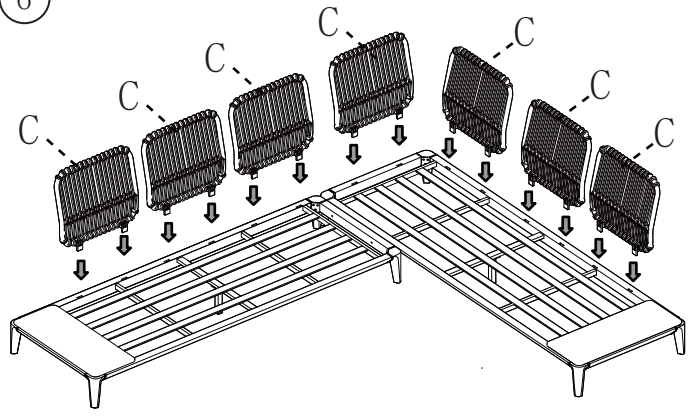
4



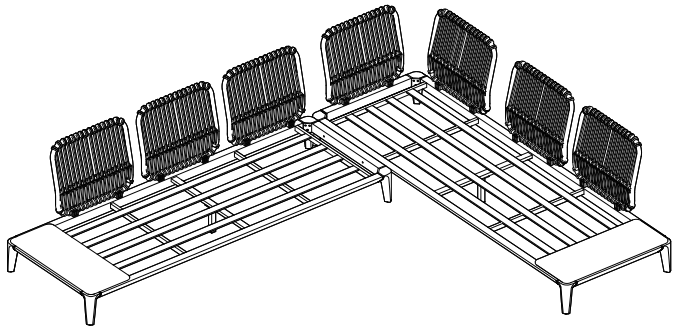
5



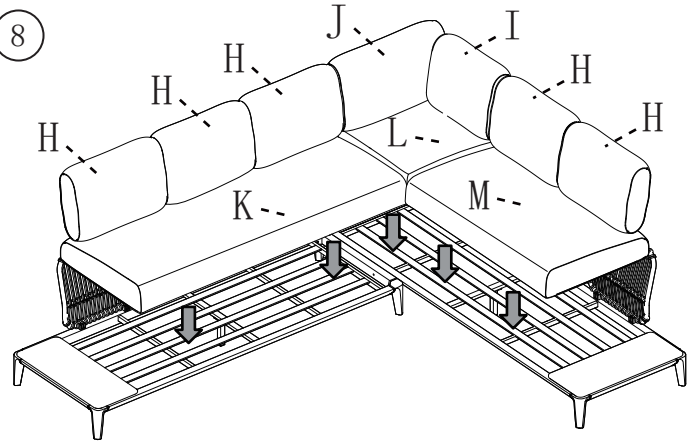
6



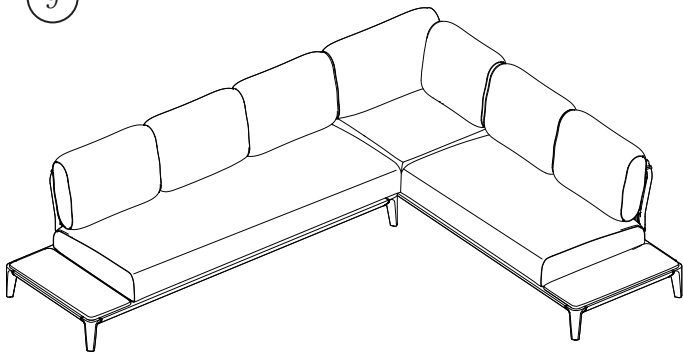
7



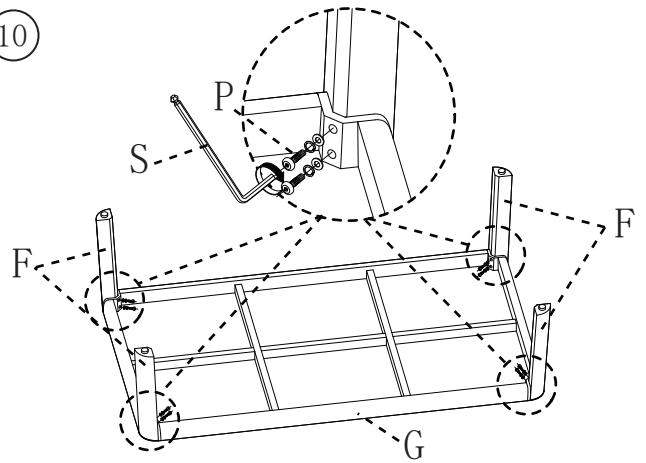
8



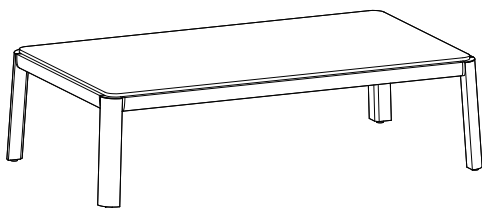
9



10



11



12

