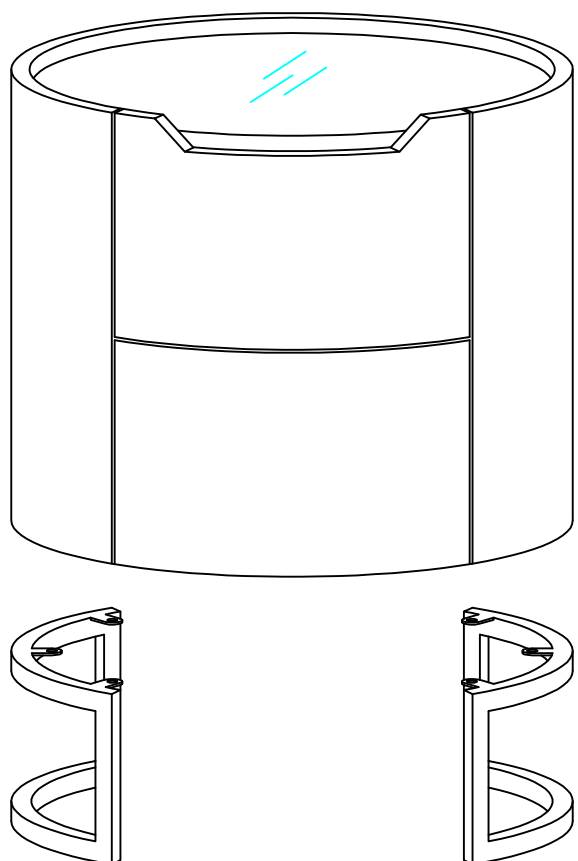
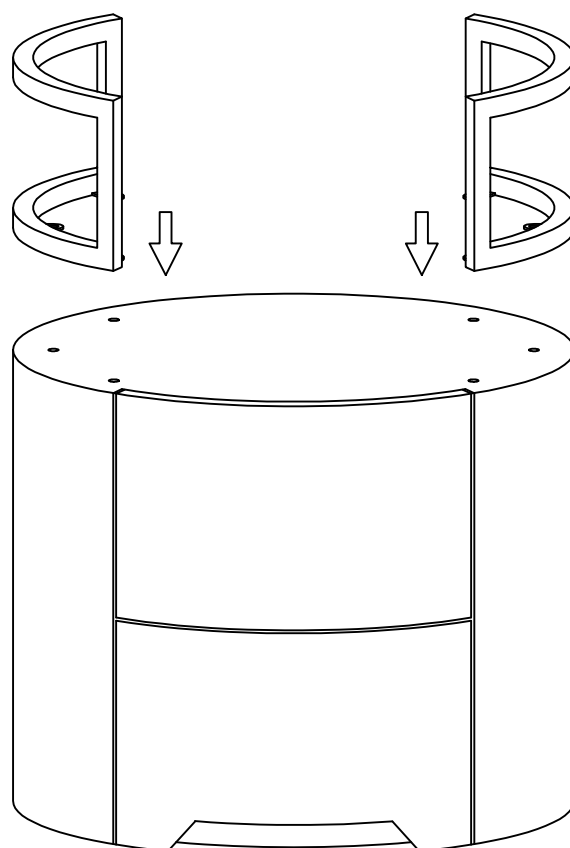


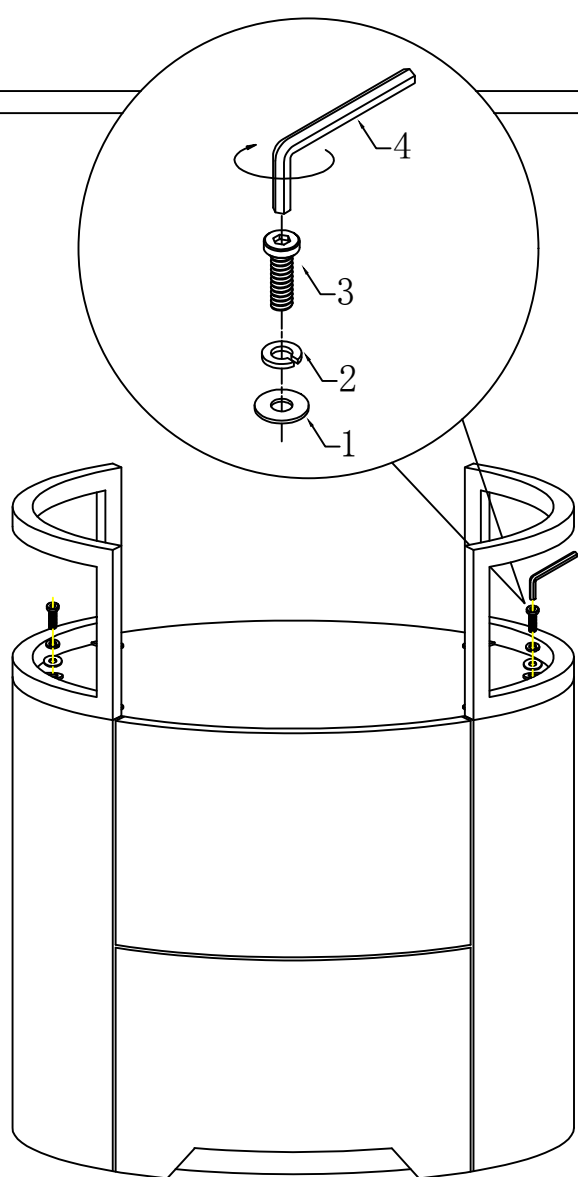
Step 1.



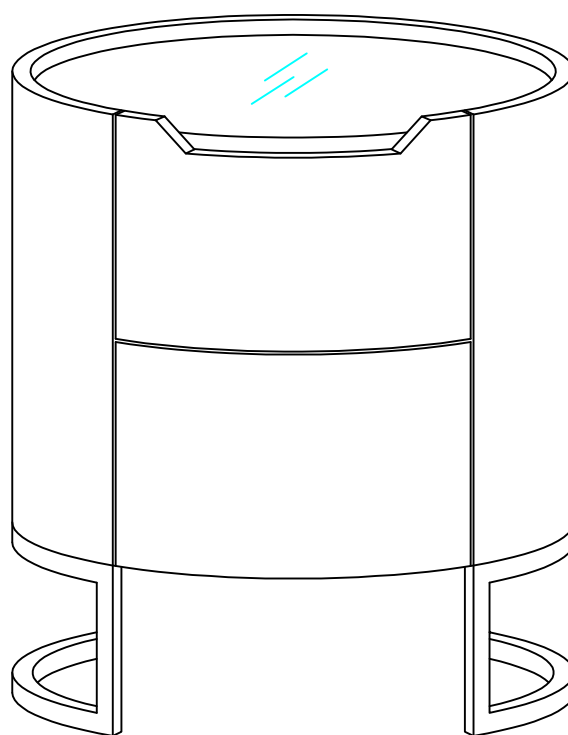
Step 2.



Step 3.

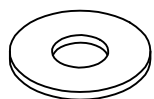


Step 4.



Components:

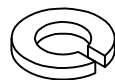
1



M8\*19MM

6pcs

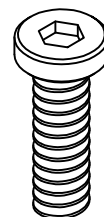
2



M8\*12MM

6pcs

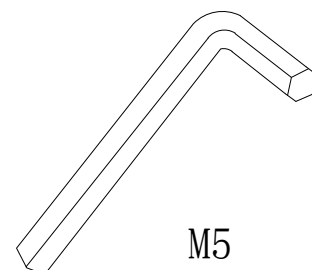
3



M8\*18MM

6pcs

4



M5

1pcs