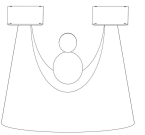
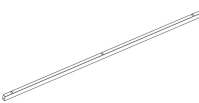
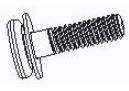


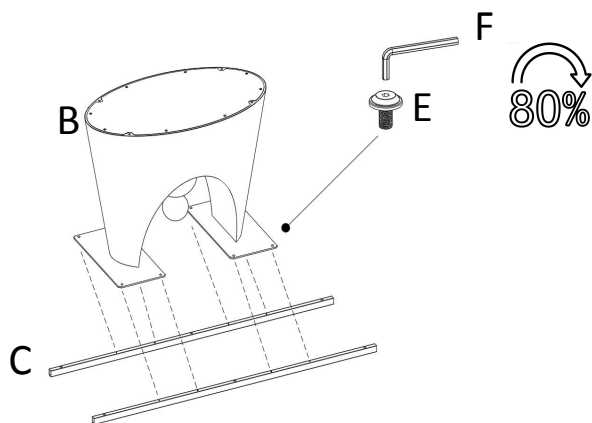
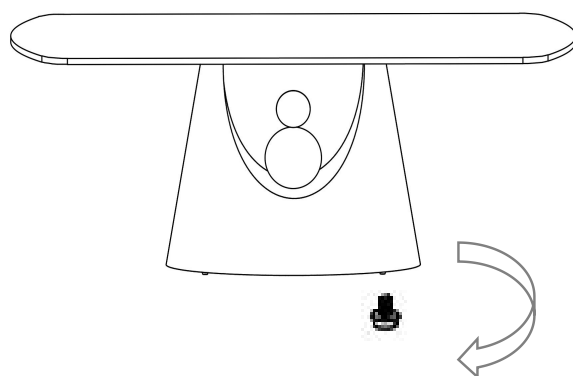
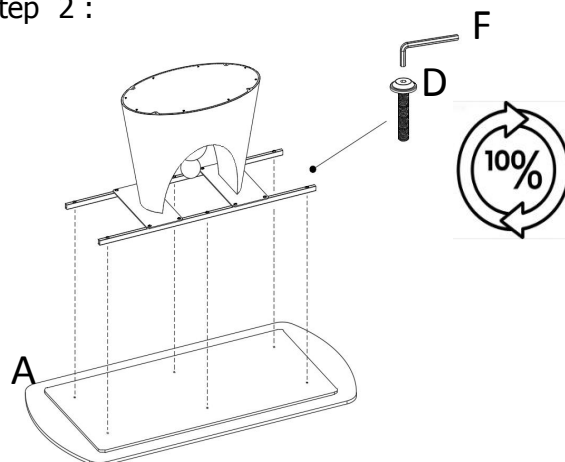
	Top marble	1 pcs	A
	base	1 pcs	B
	marble support pipe	2 pcs	C
	screw (M8*40)	6 pcs	D
	screw (M8*16)	8 pcs	E
	wrench	1 pcs	F

Step 1 :

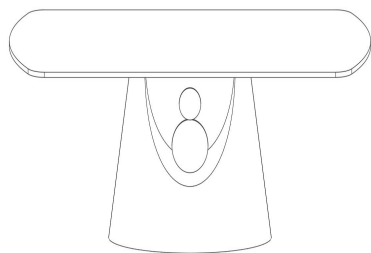


Step 2 :




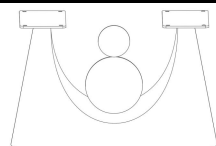


71635 - Coffee Table Geraldo 140x80cm

KARE
DESIGN

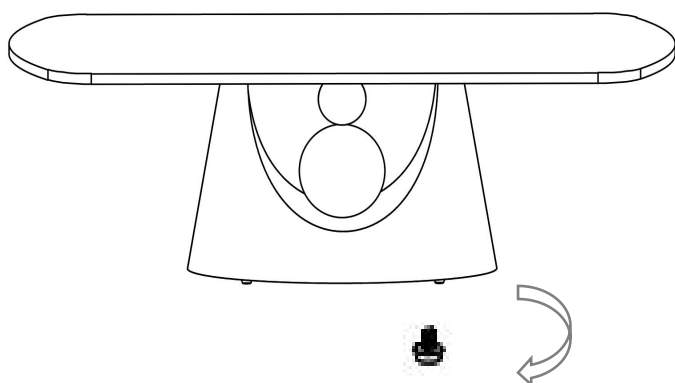
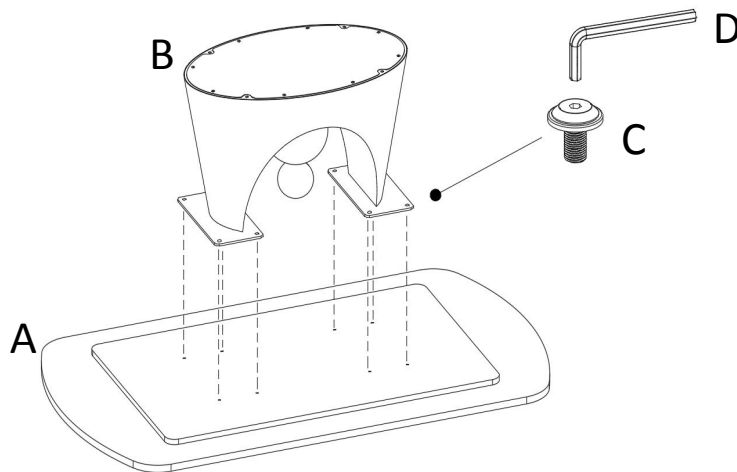


X 2



	Top marble	1 pcs	A
	base	1 pcs	B
	screw (M8*16)	8 pcs	C
	wrench	1 pcs	D

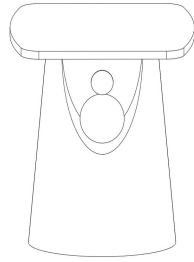
Step :







71636-Side Table Geraldo 50x50cm

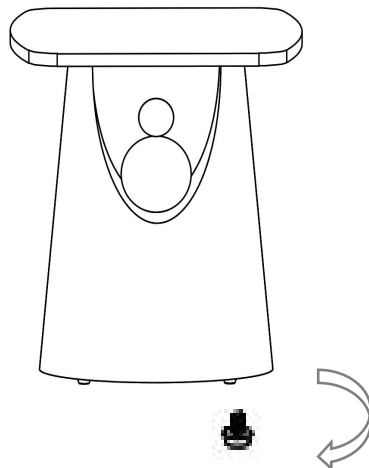
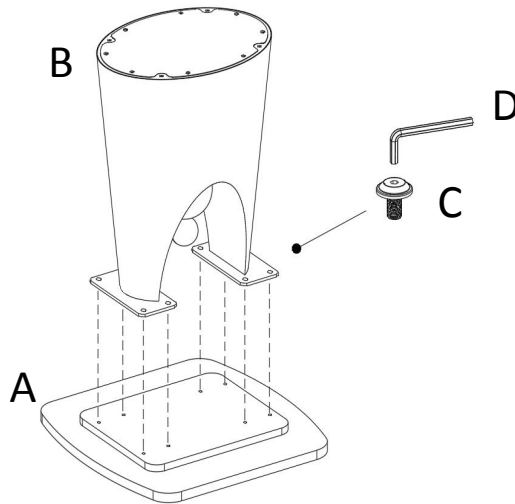
KARE

DESIGN



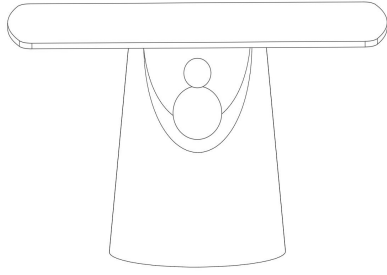
	Top marble	1 pcs	A
	base	1 pcs	B
	screw (M8*16)	8 pcs	C
	wrench	1 pcs	D

Step :







71637- Console Geraldo 140x80cm

KARE
DESIGN



X 2



	Top marble	1 pcs	A
	base	1 pcs	B
	screw (M8*16)	8 pcs	C
	wrench	1 pcs	D

Step :

