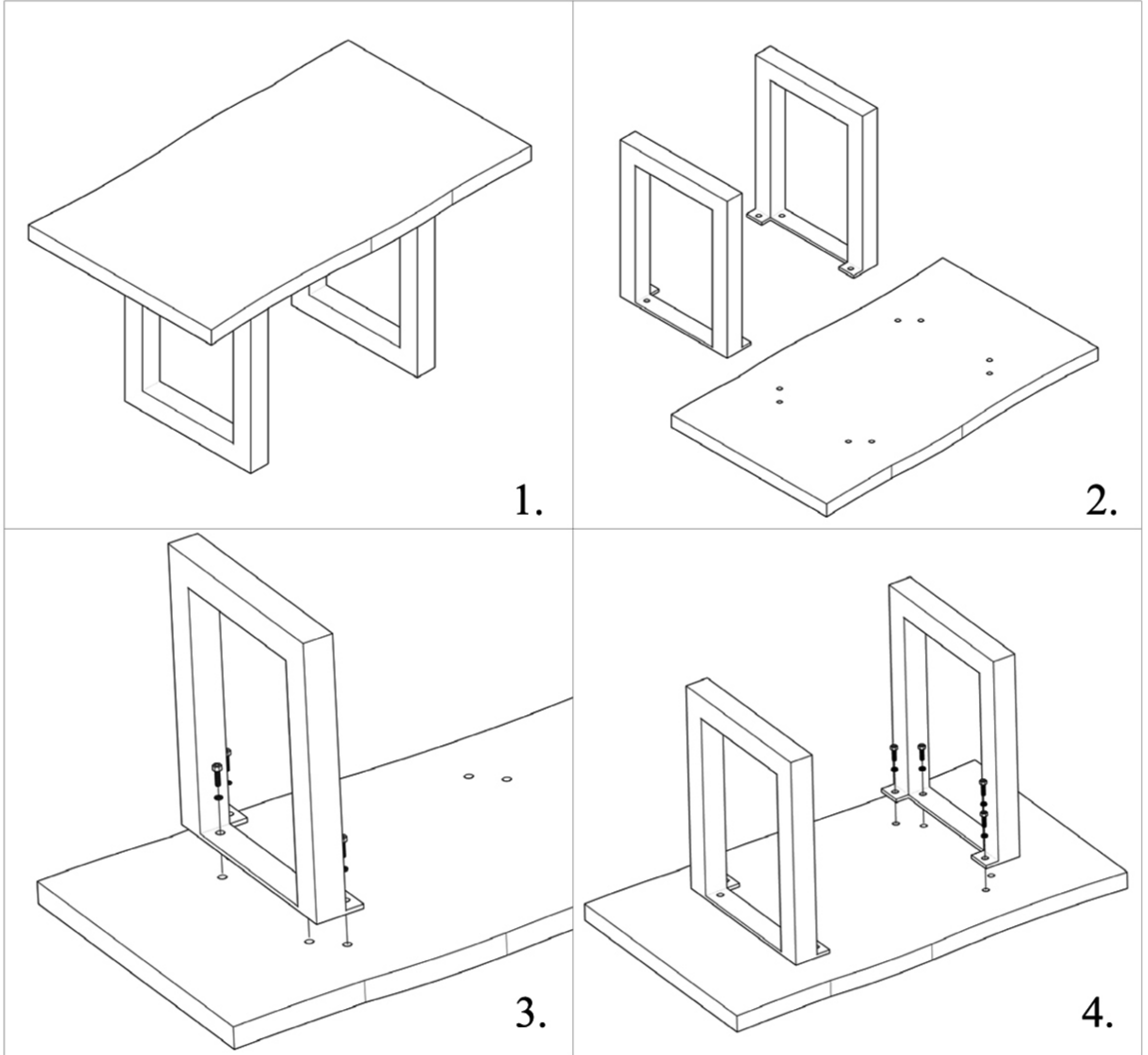
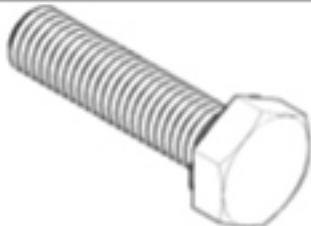




Assembly Instruction



No.	A	B	C
Type			
Qty.	09 Pcs(1 Spare)	09 Pcs(1 Spare)	1 Pc