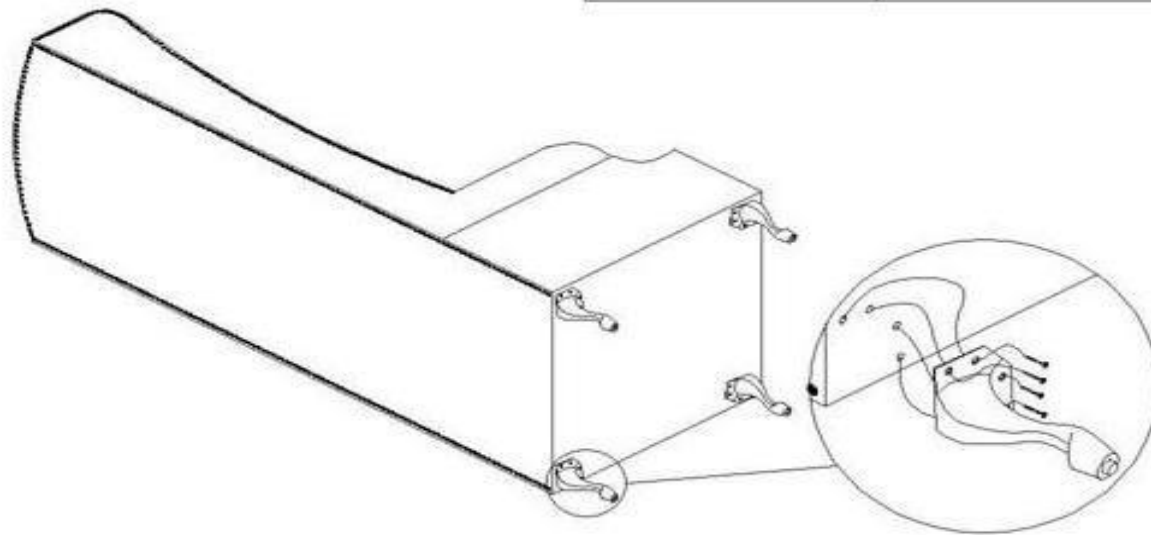
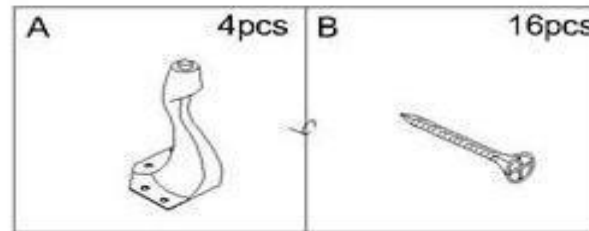
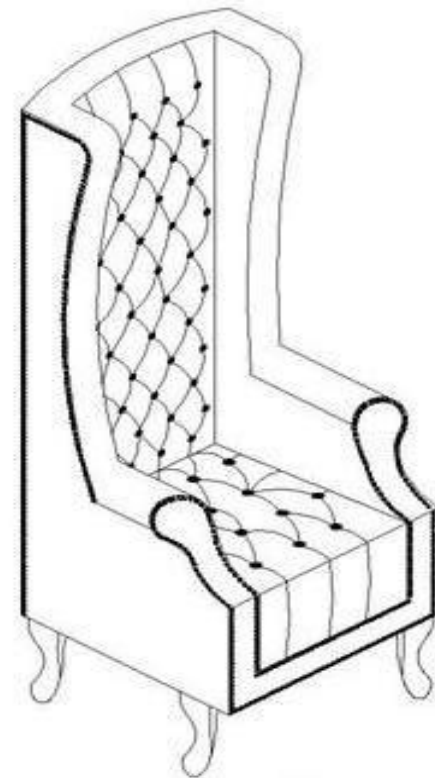


ASSEMBLY INSTRUCTION



Step 1



Step 2