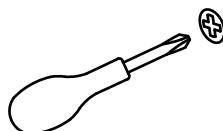
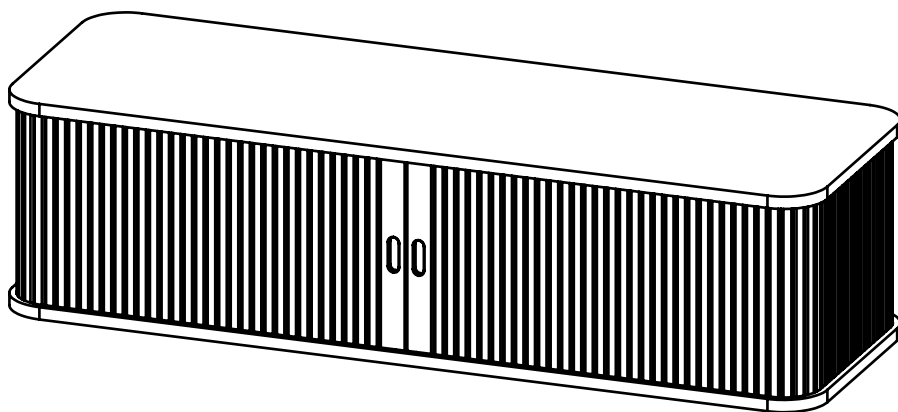


Necessary Tools

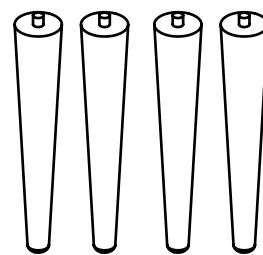


Component list

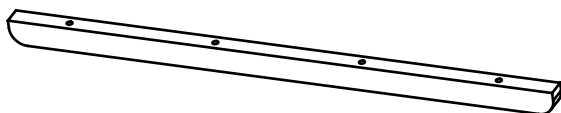
1 main unit x 1



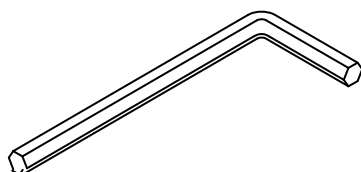
2 leg x 4



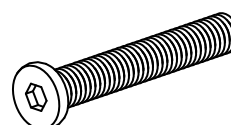
3 Bottom support rail x 1



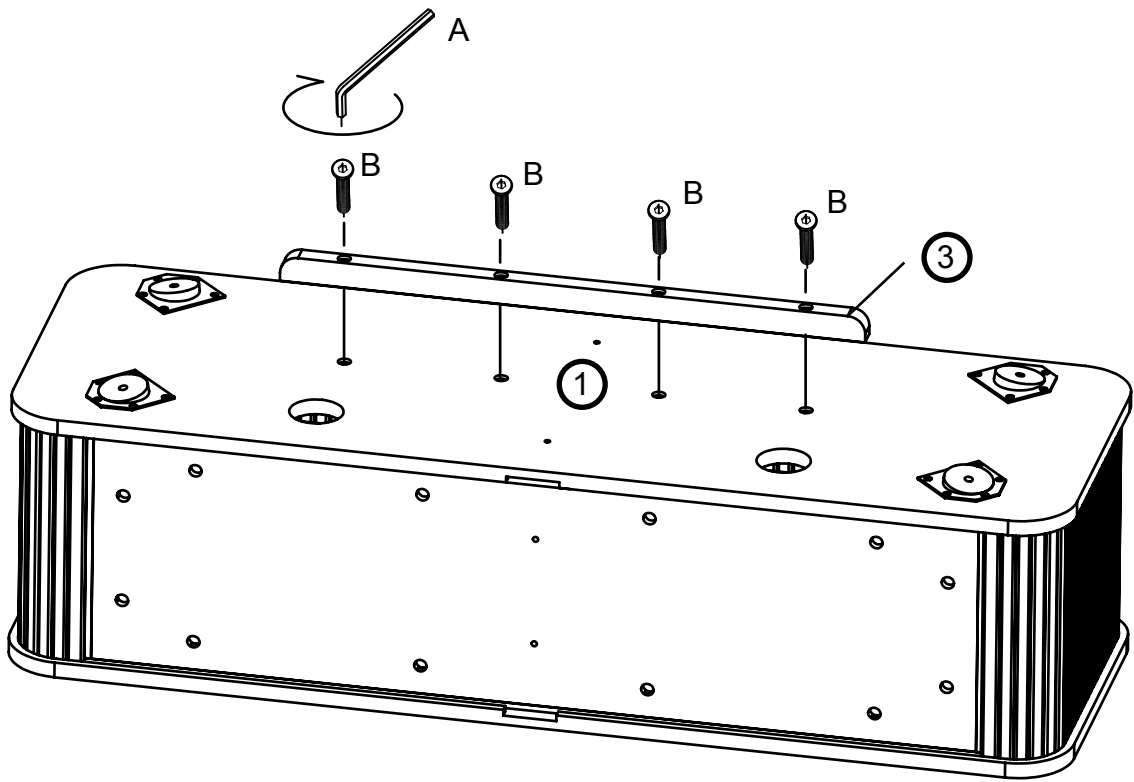
A Allen Key x 1



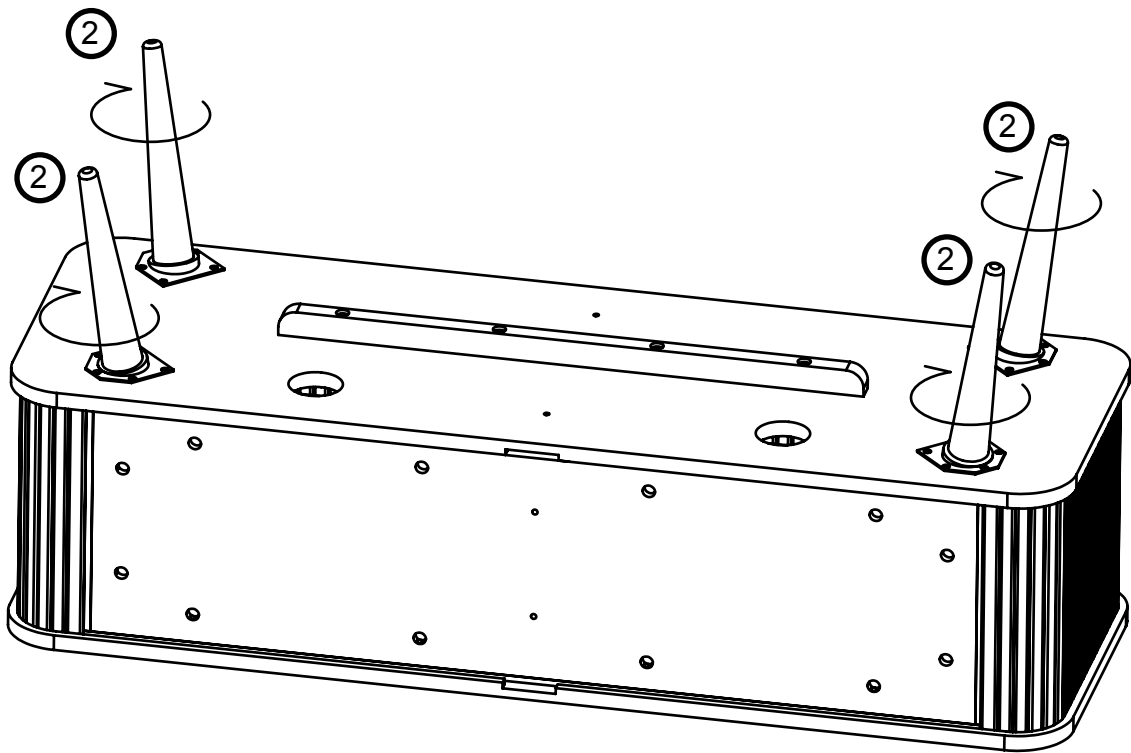
B Allen bolt screw x 4



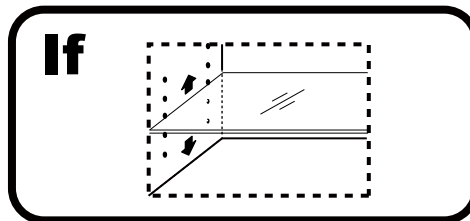
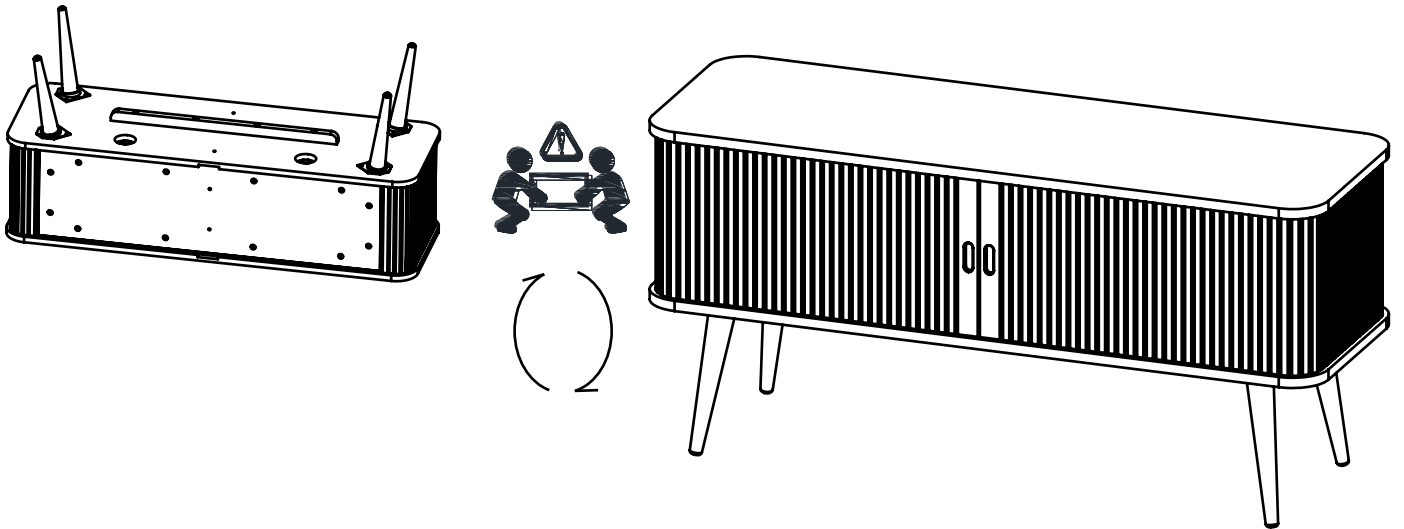
1



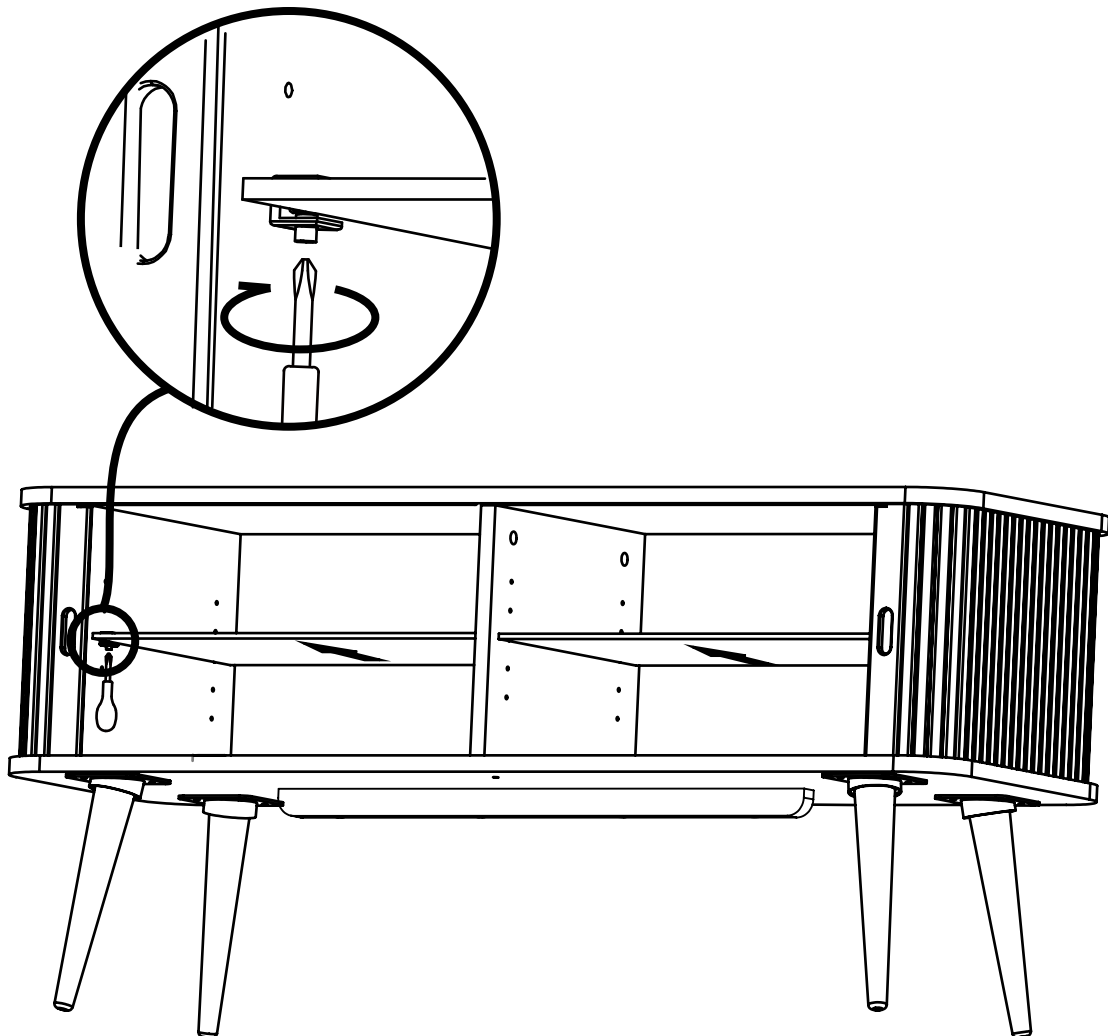
2



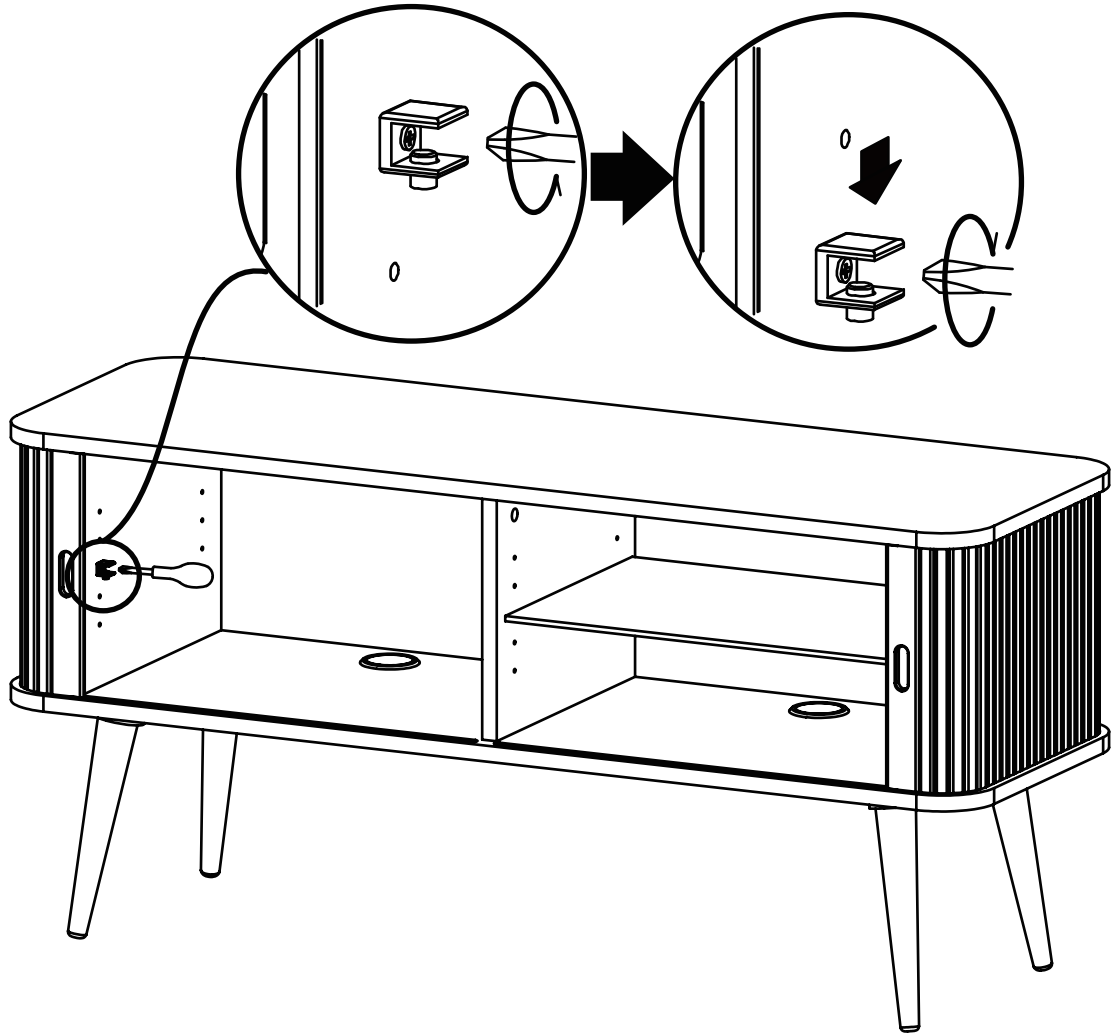
3



4



5



6

