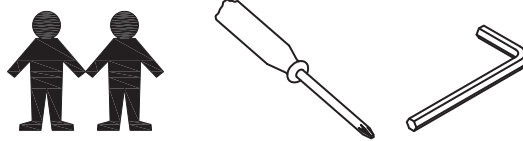
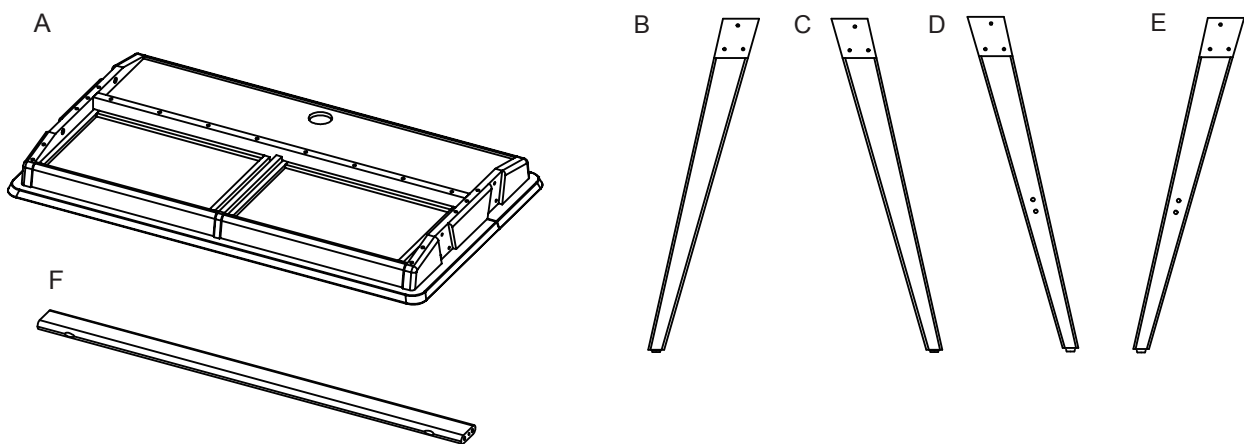


Necessary tool

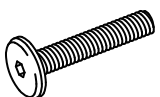


Component list



Fitting list

① x12



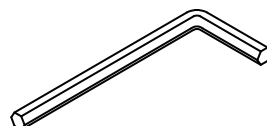
② x 12



③ x 12



④ x 1



⑤ x 2

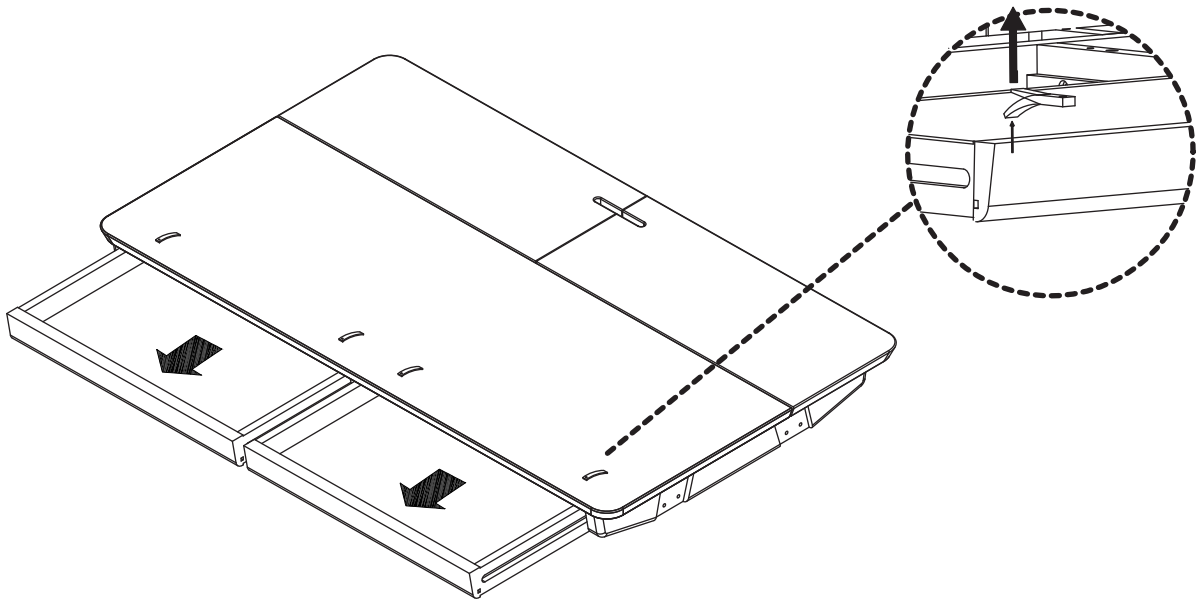


⑥ x 2

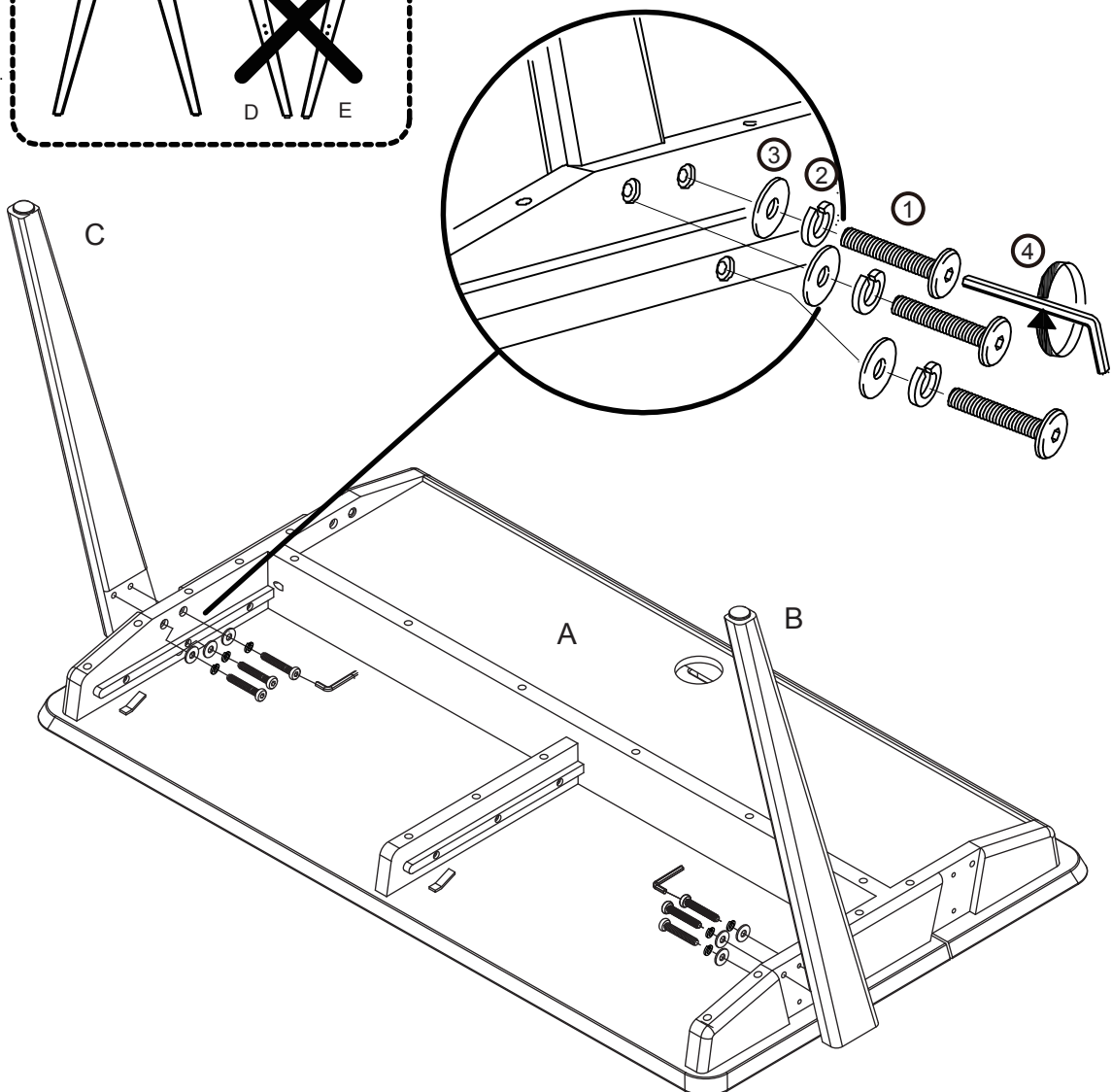
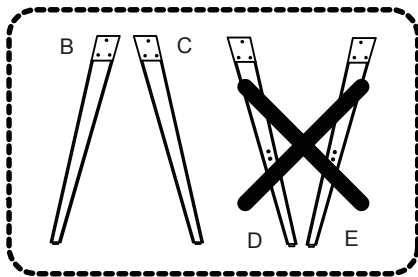


STEP BY STEP ASSEMBLY INSTRUCTION

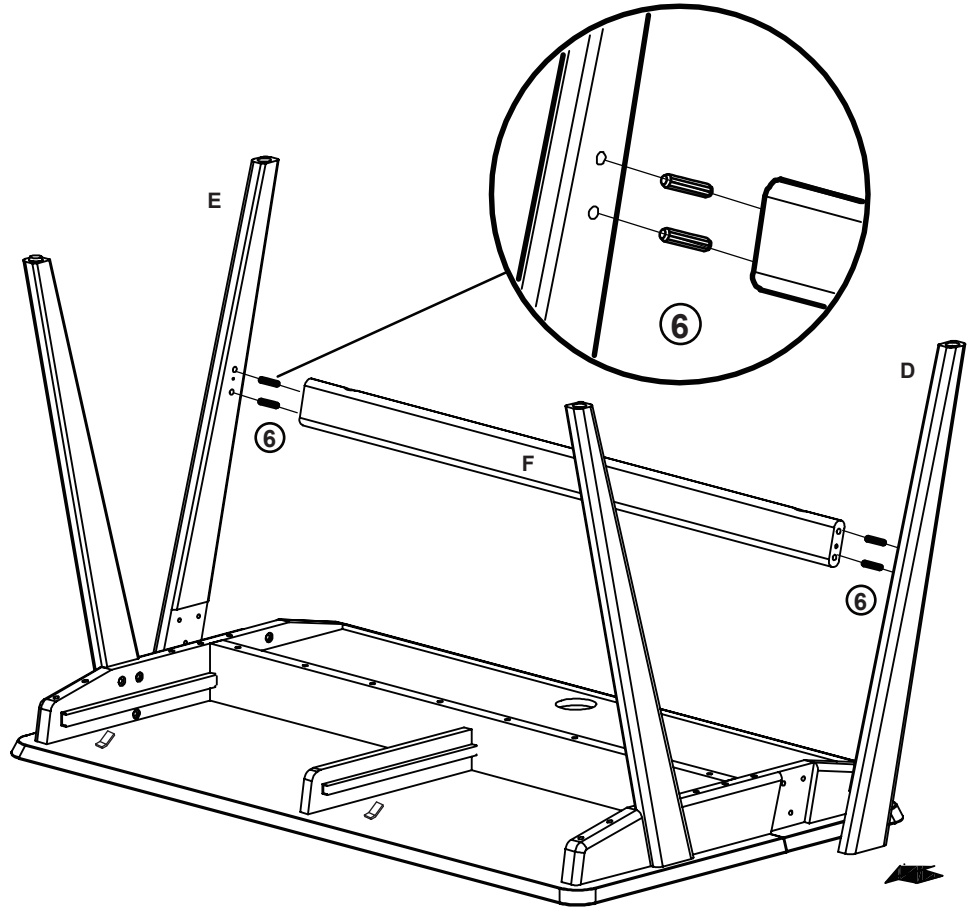
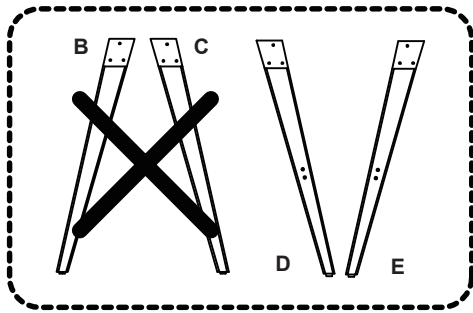
STEP 1



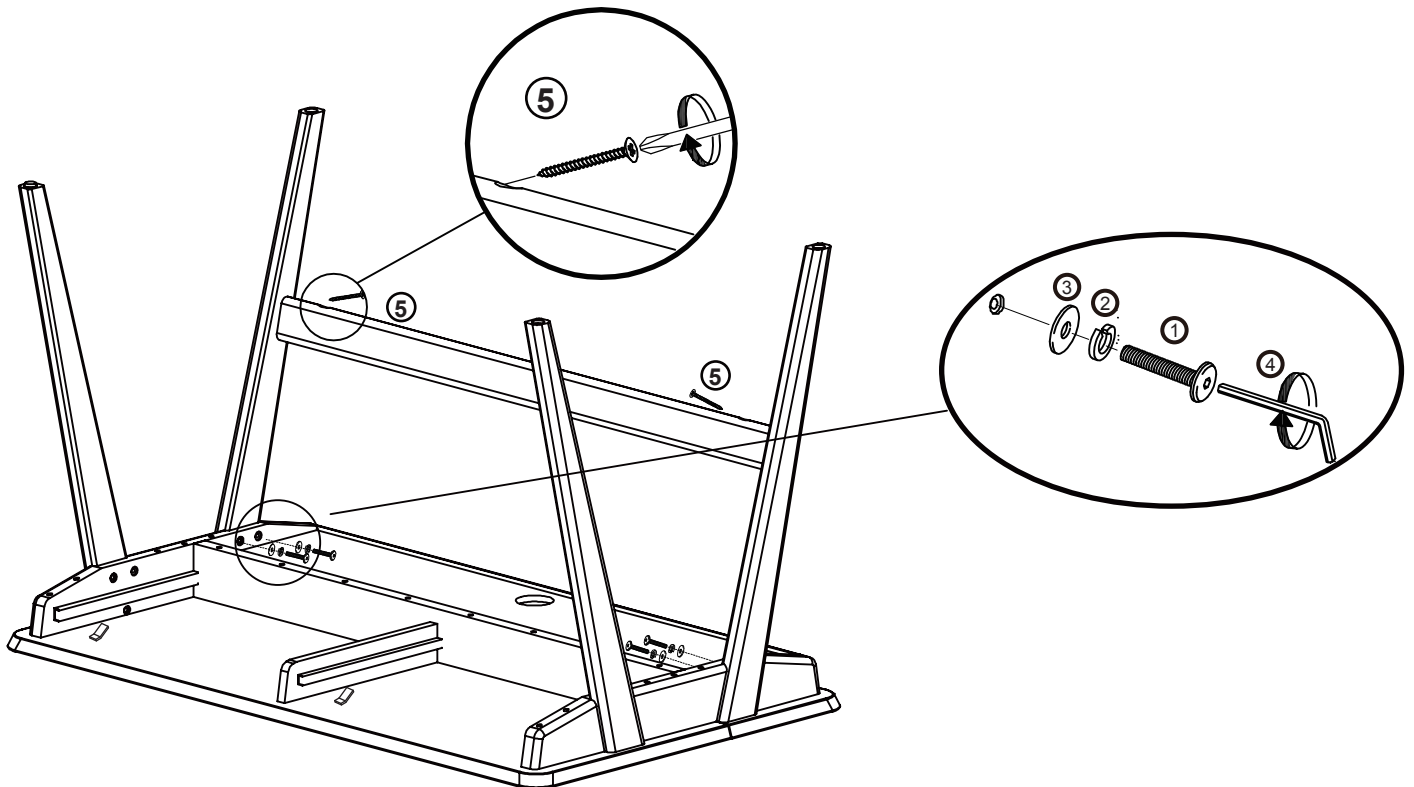
STEP 2



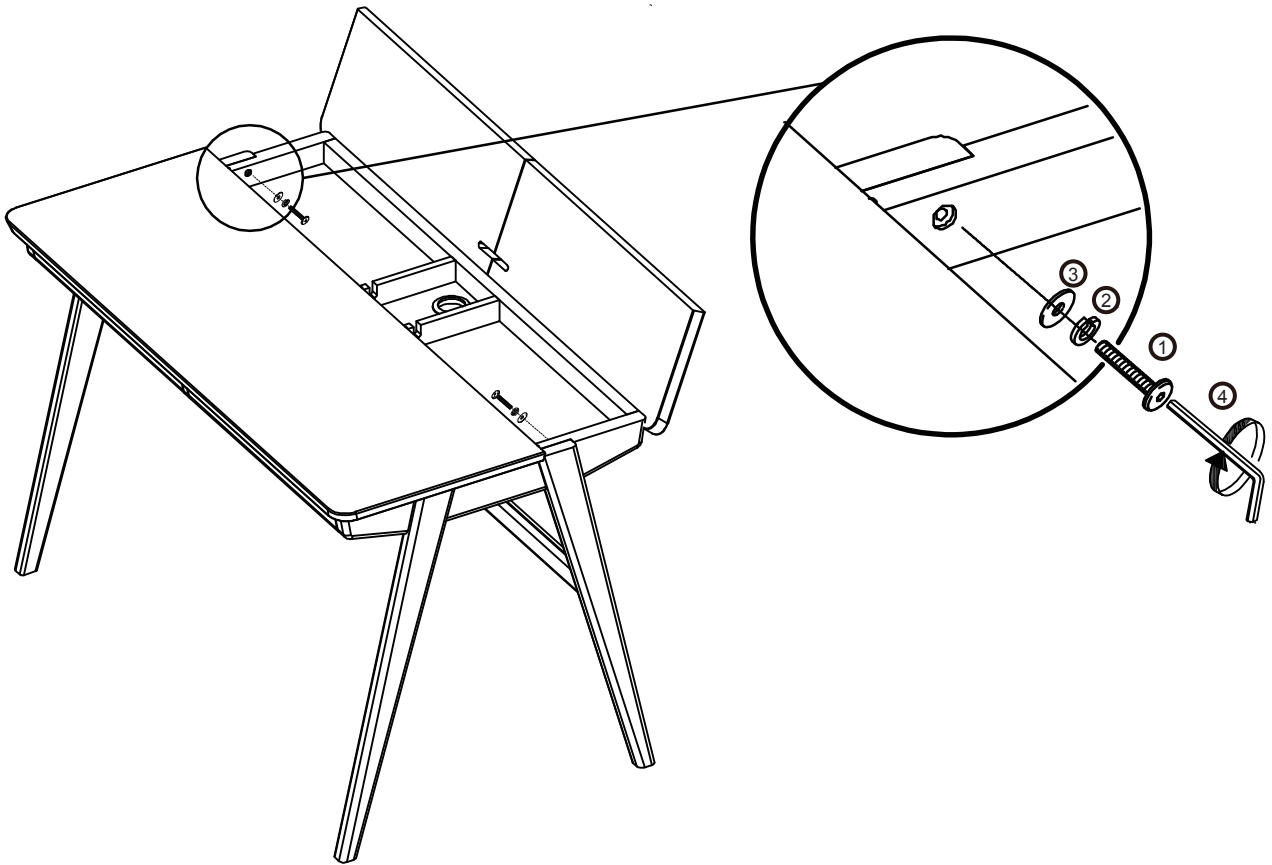
STEP 3



STEP 4



STEP 5



STEP 6

