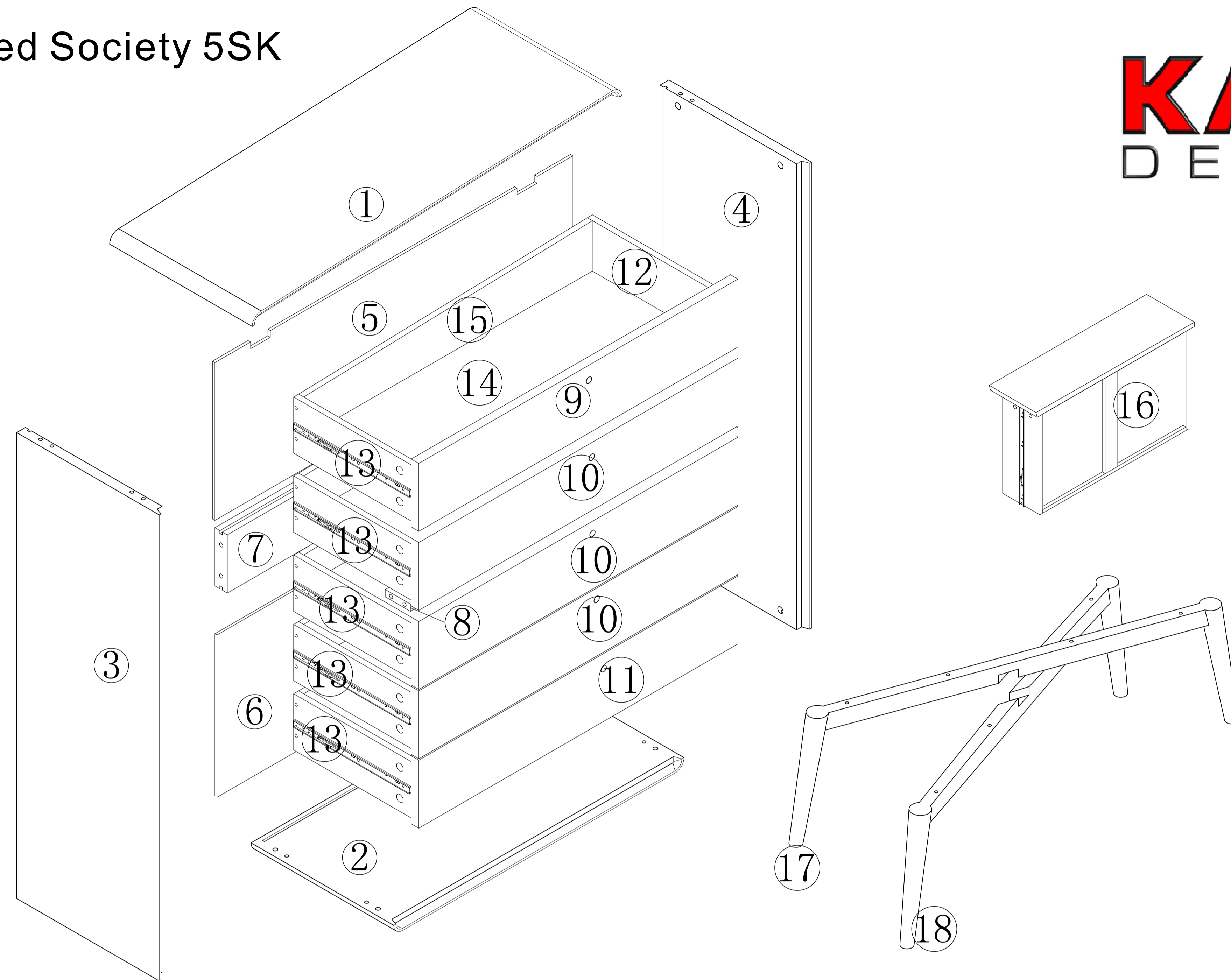
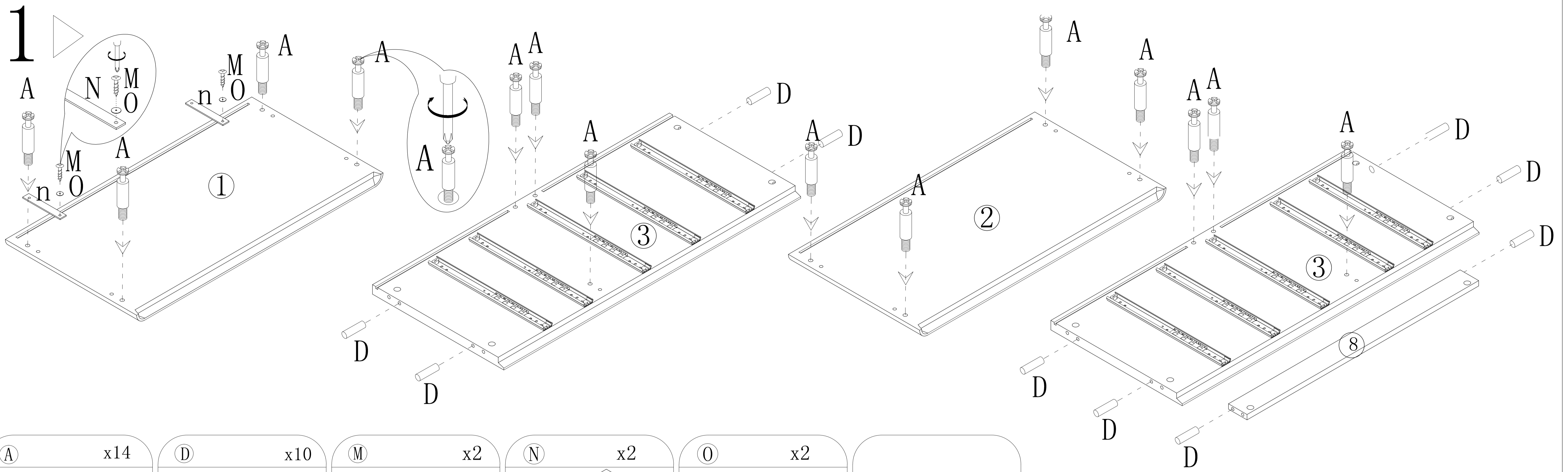


# 79587 Hochkommode Closed Society 5SK

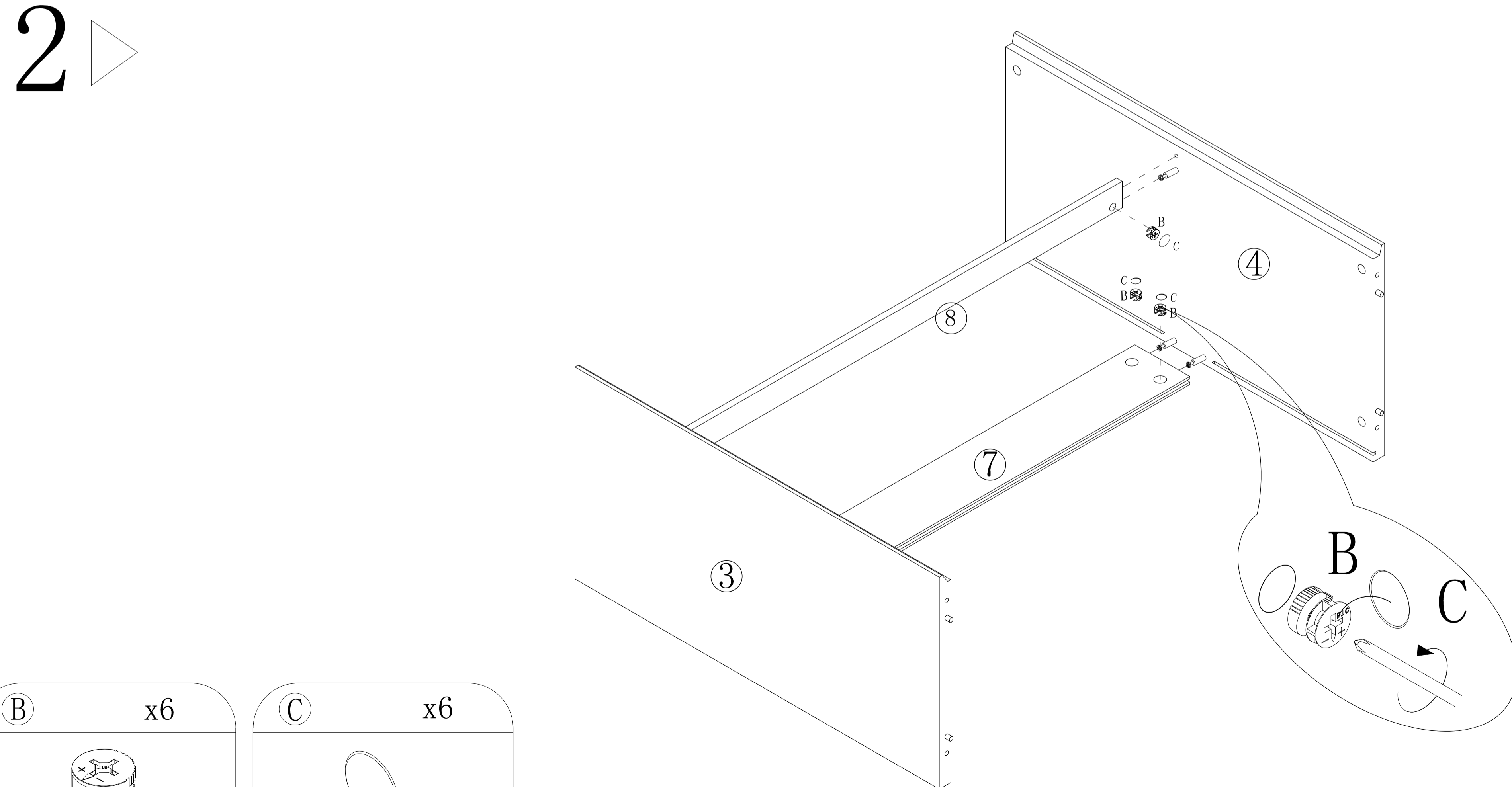
**KARE**  
DESIGN



NO.	1	2	3	4	5	6	7	8	9	10	11	12	13	14	15	16	17	18
PARTS																		
QTY	1PC	1PC	1PC	1PC	1PC	1PC	1PC	1PC	1PC	3PCS	1PC	5PCS	5PCS	5PCS	5PCS	5PCS	1PC	1PC
NO.	A	B	C	D	E	F	G	H	I	J	K	L	M	N	O	P	Q	
PARTS																		
QTY	34PCS	34PCS	34PCS	10PCS	8PCS	1PCS	10PCS	10PCS	4PCS	6PCS	6PCS	30PCS	2PCS	2PCS	2PCS	5PCS	5PCS	

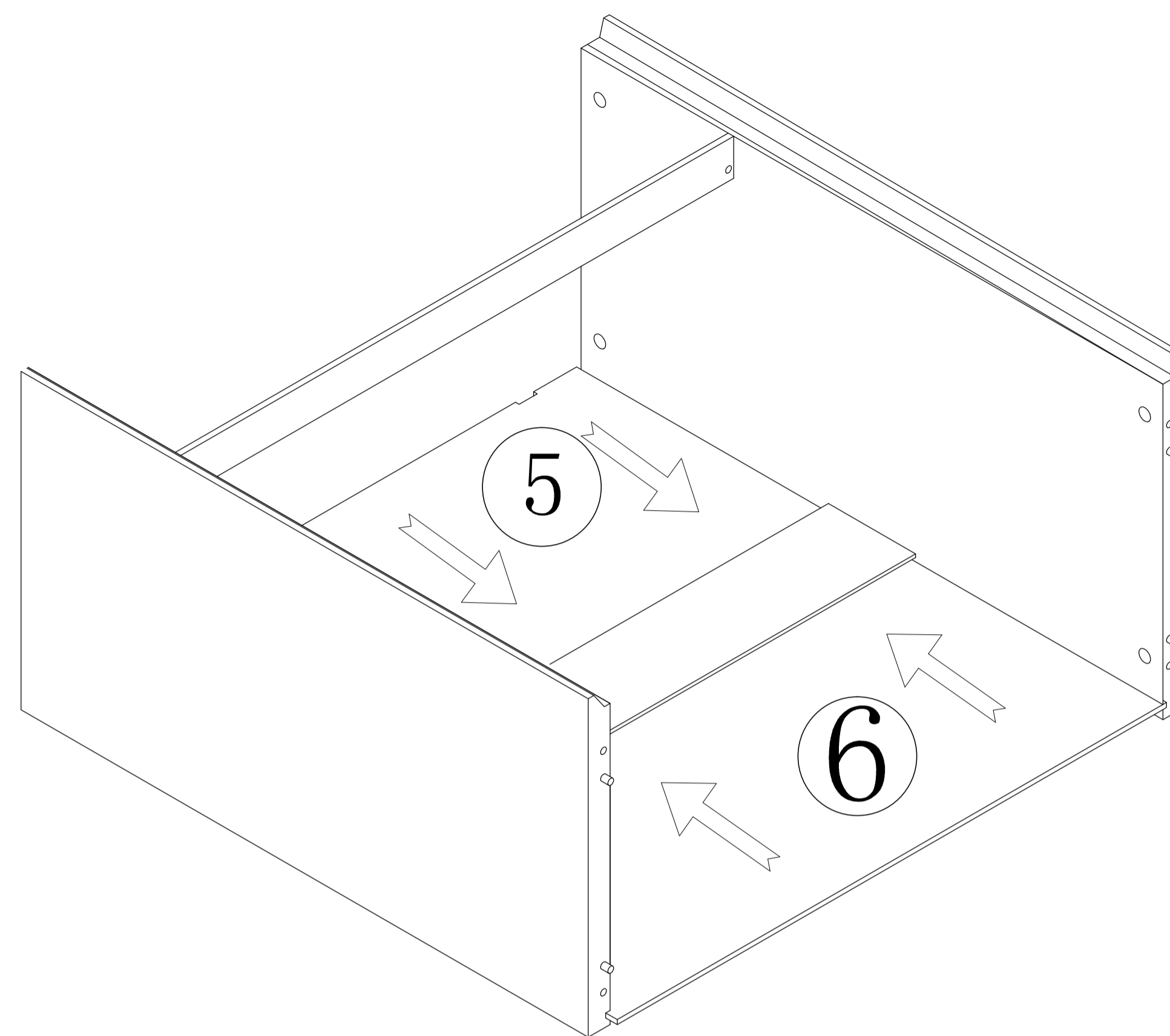


- A x14
- D x10  
  
 $\varnothing 8 \times 30$
- M x2  
  
 $\varnothing 4 \times 12$
- N x2  
  
 $150 \times 30 \times 2$
- O x2  
  
 $\varnothing 15 \times 1 \text{mm}$
- 

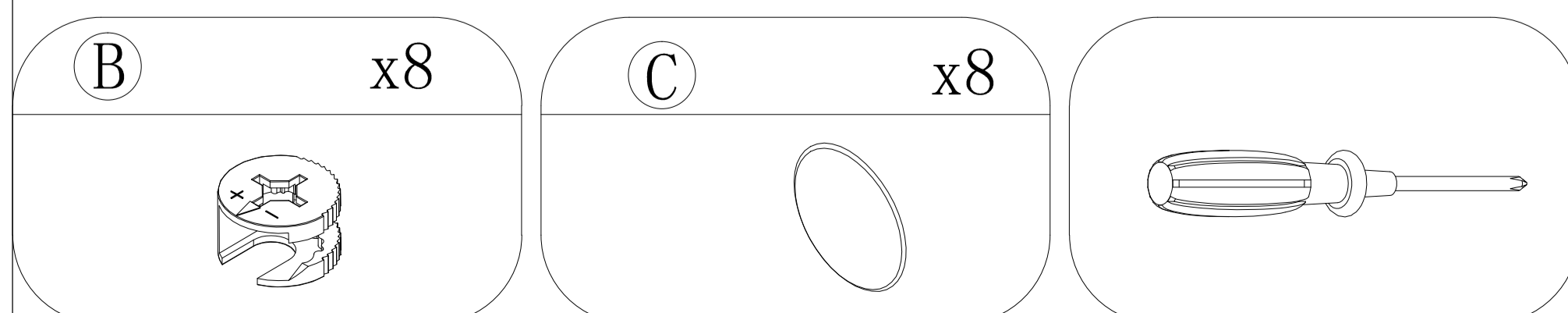
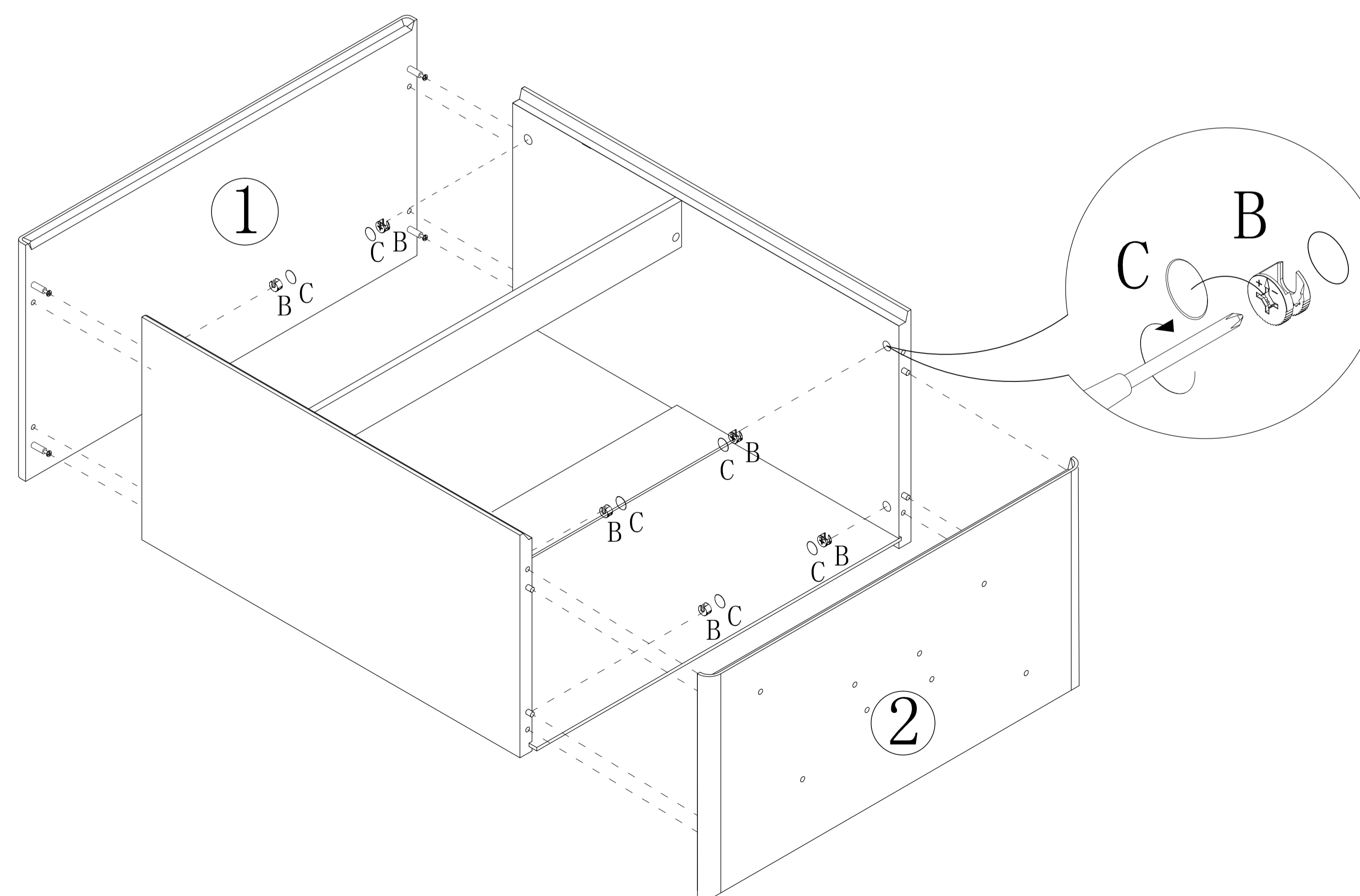


- B x6
- C x6

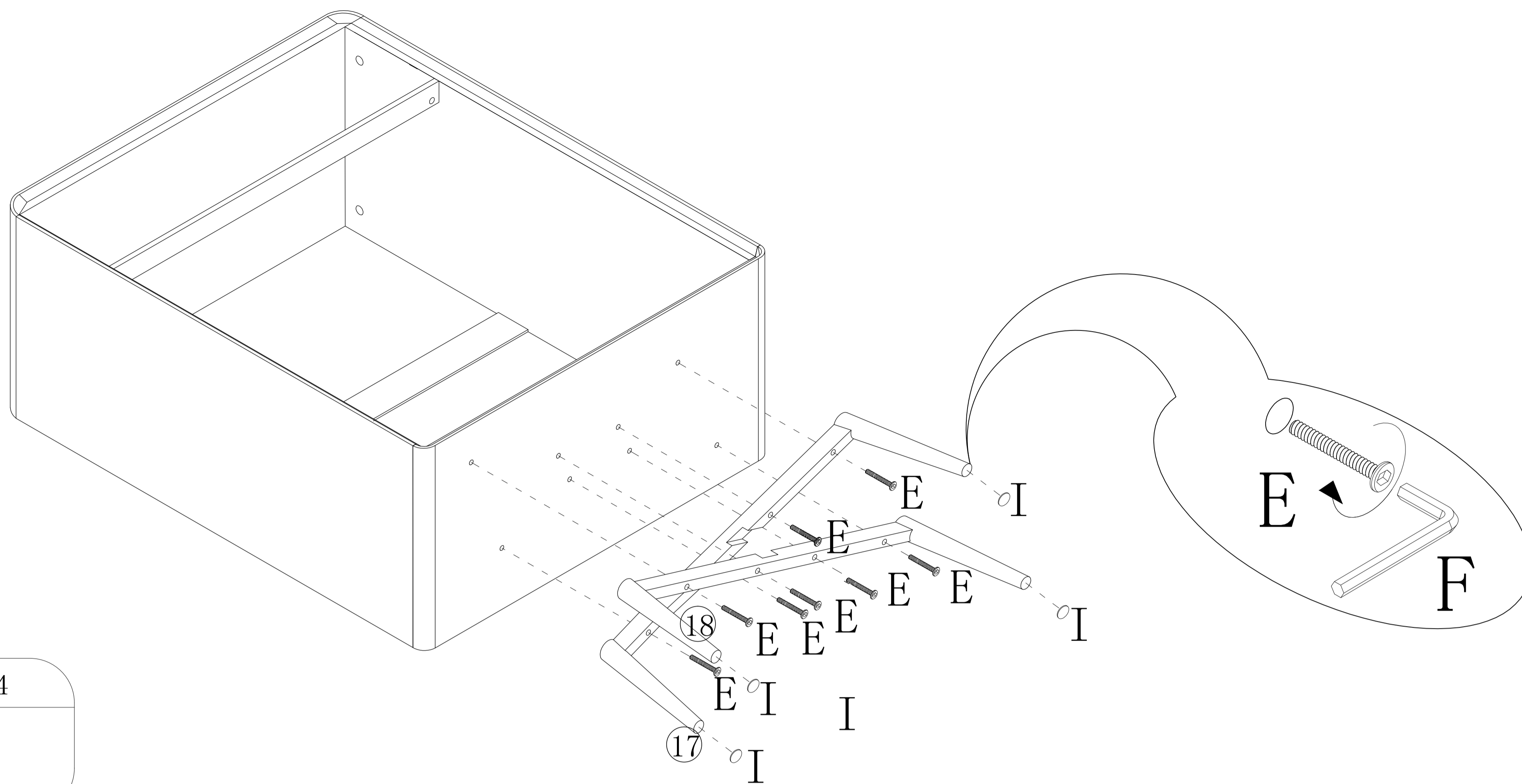
3 ▶



4 ▶

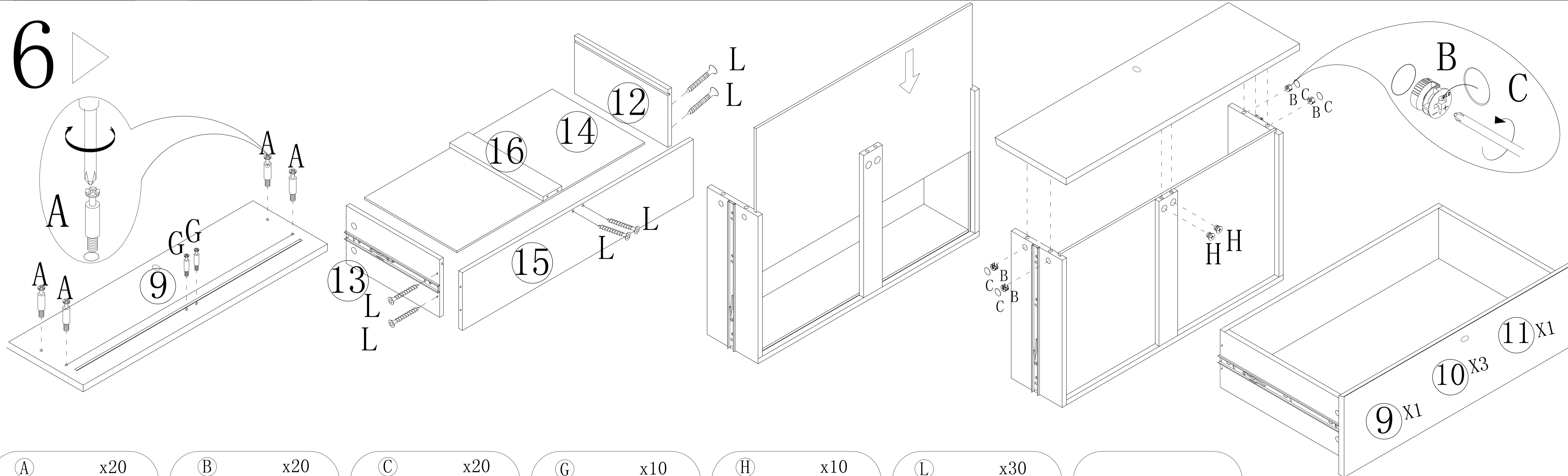


# 5



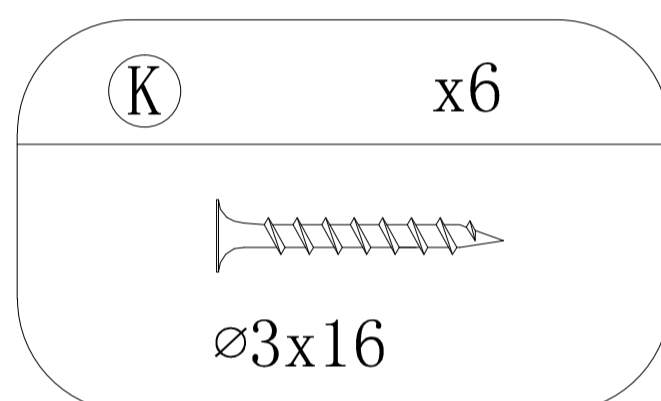
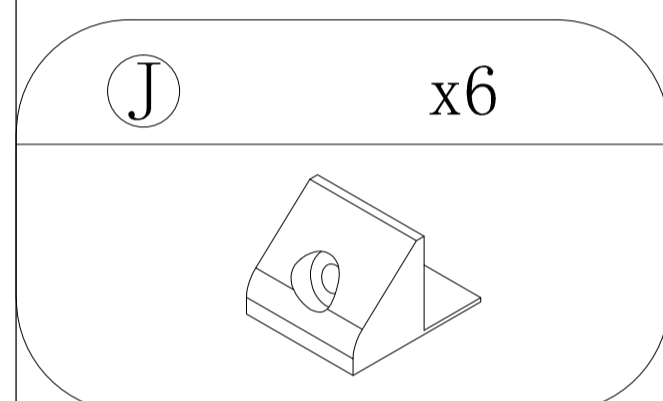
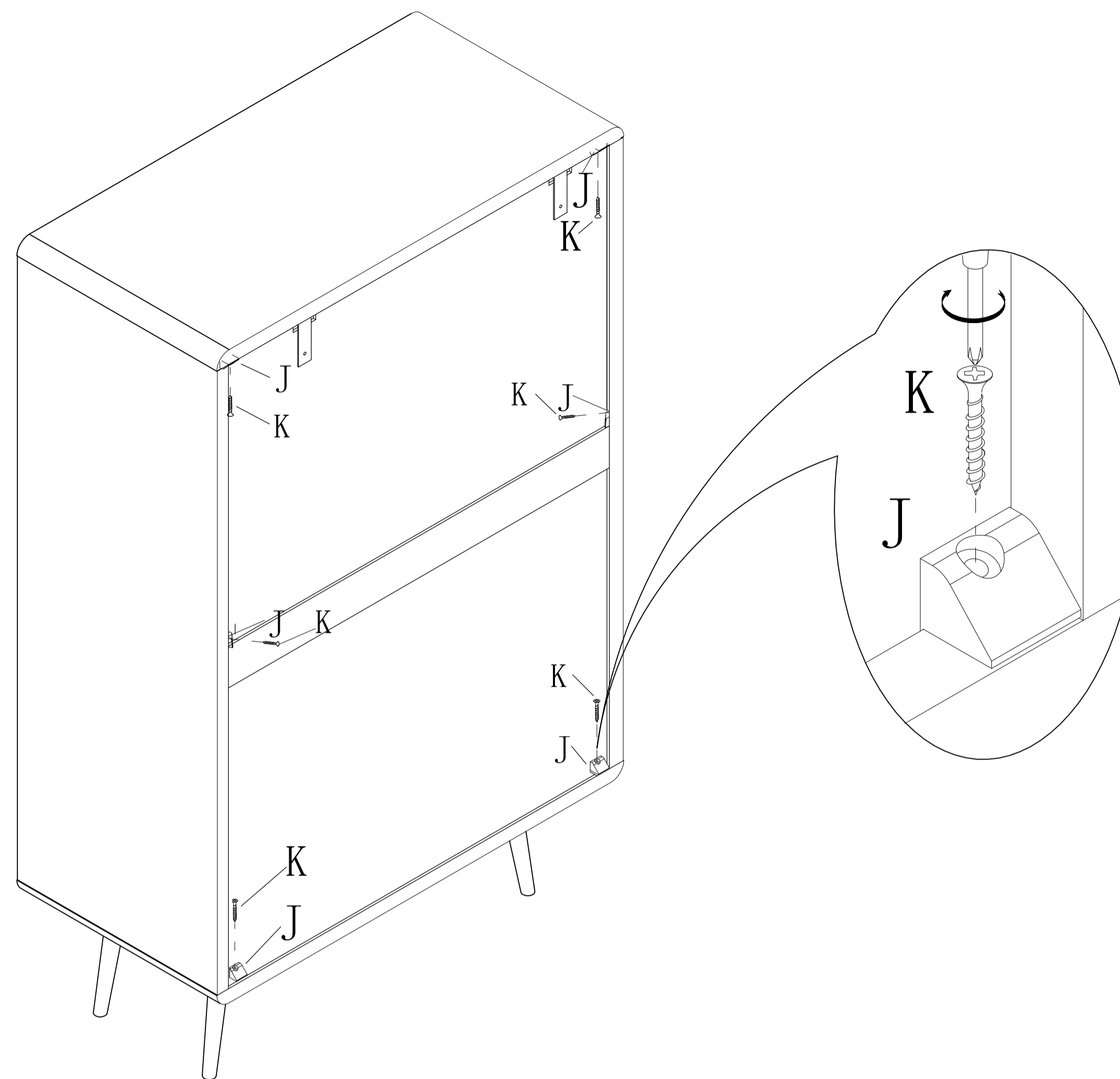
- E x8  
  
 ø6x45
- F x1
- I x4  
  
 ø25\*3mm

# 6

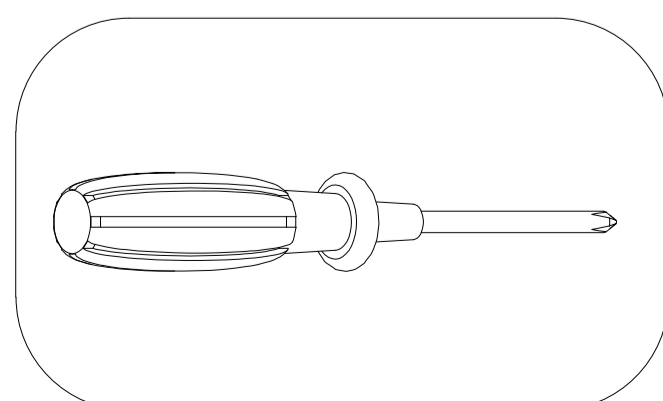
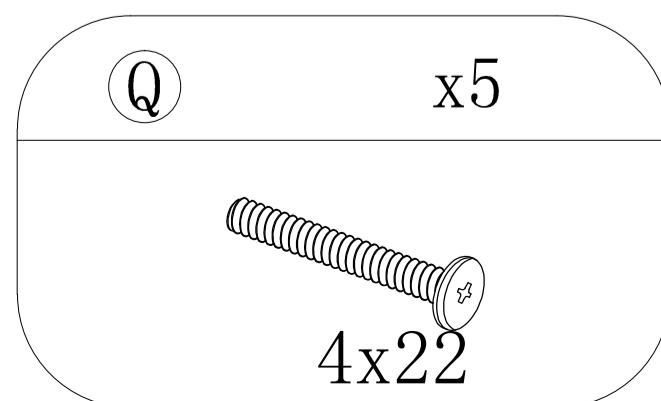
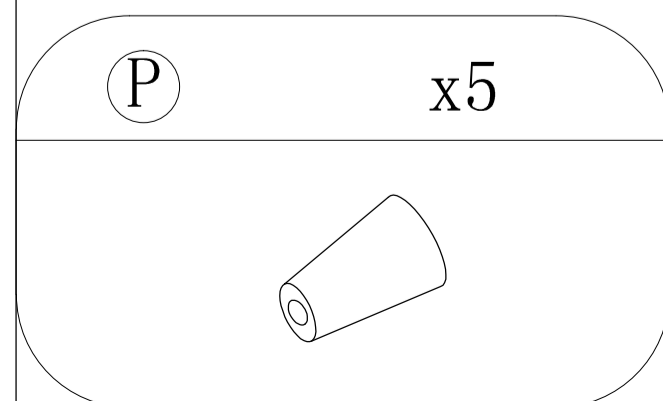
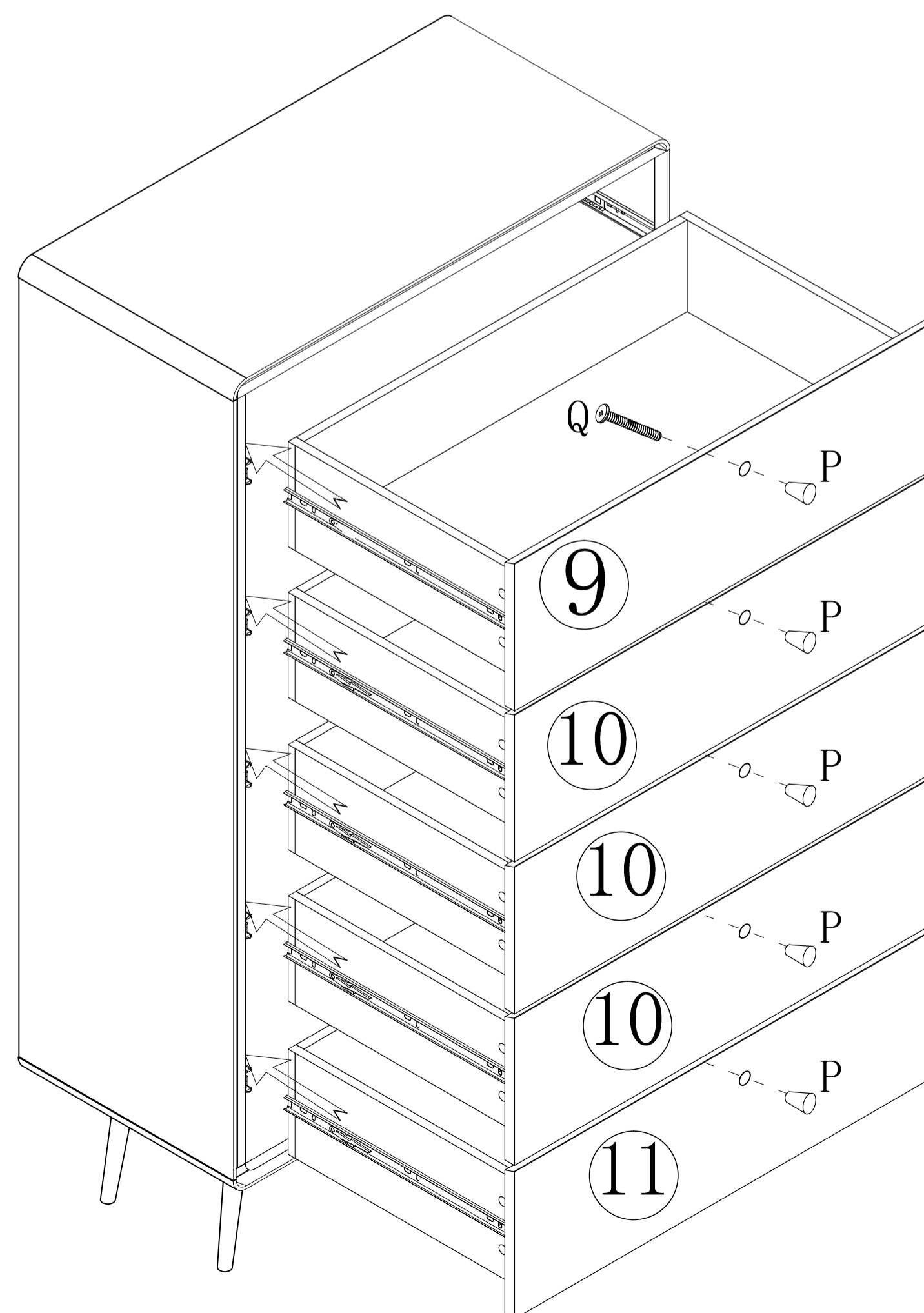


- A x20
- B x20
- C x20
- G x10
- H x10
- L x30  
  
 ø4x30
-

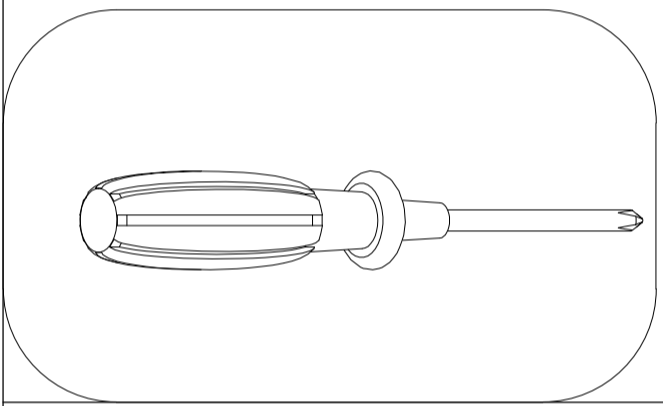
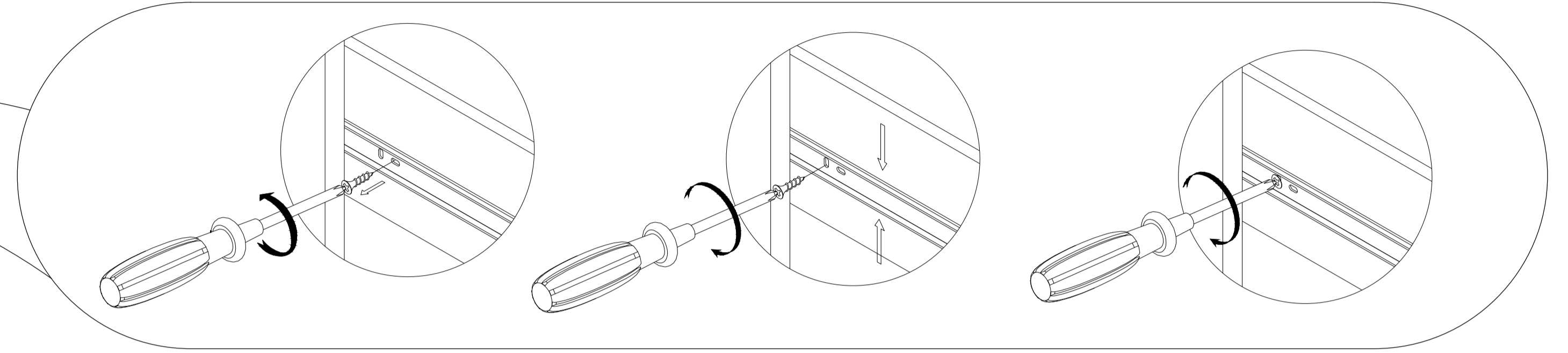
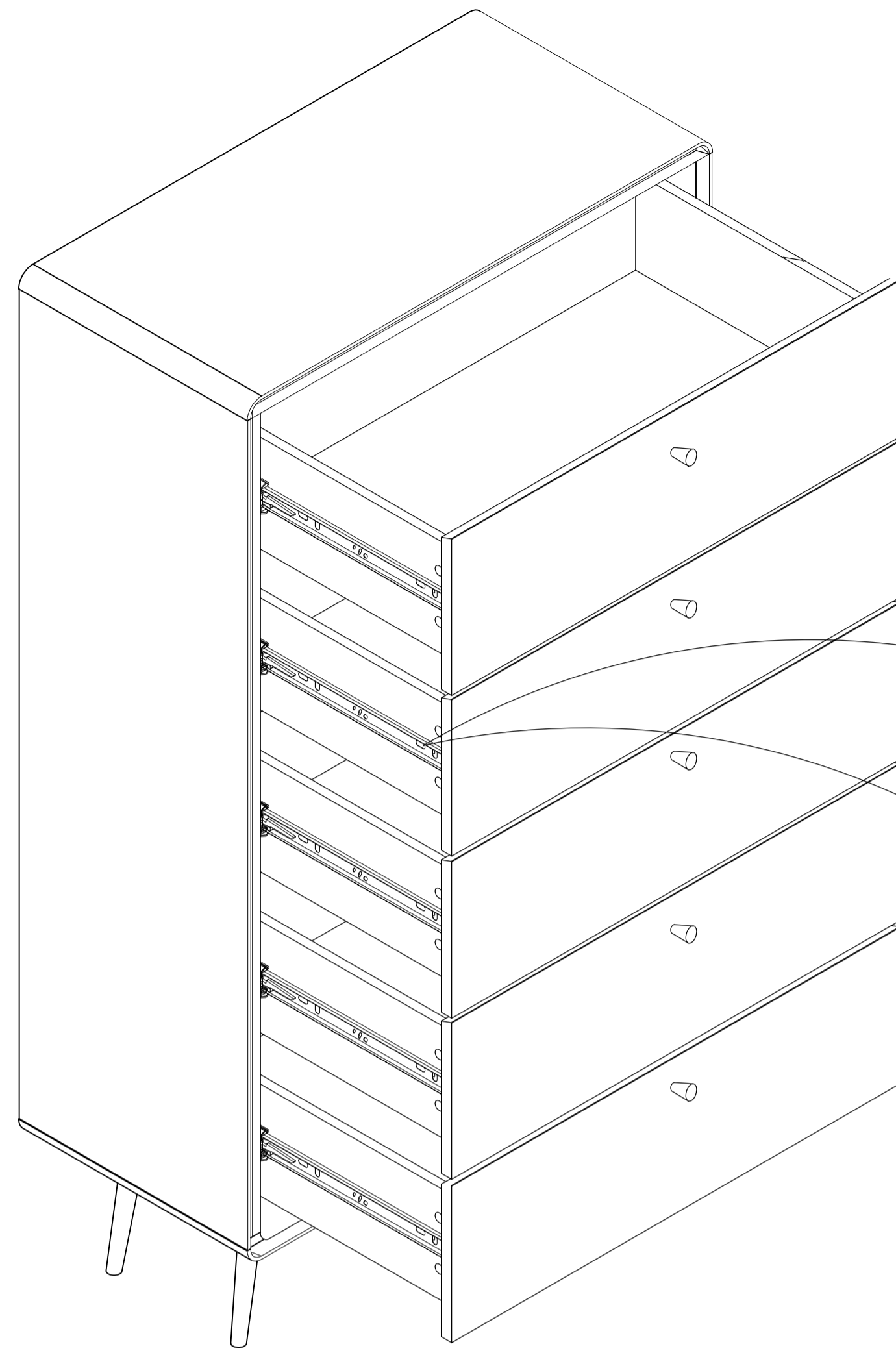
7 ▶



8 ▶



9 ▶



10 ▶

