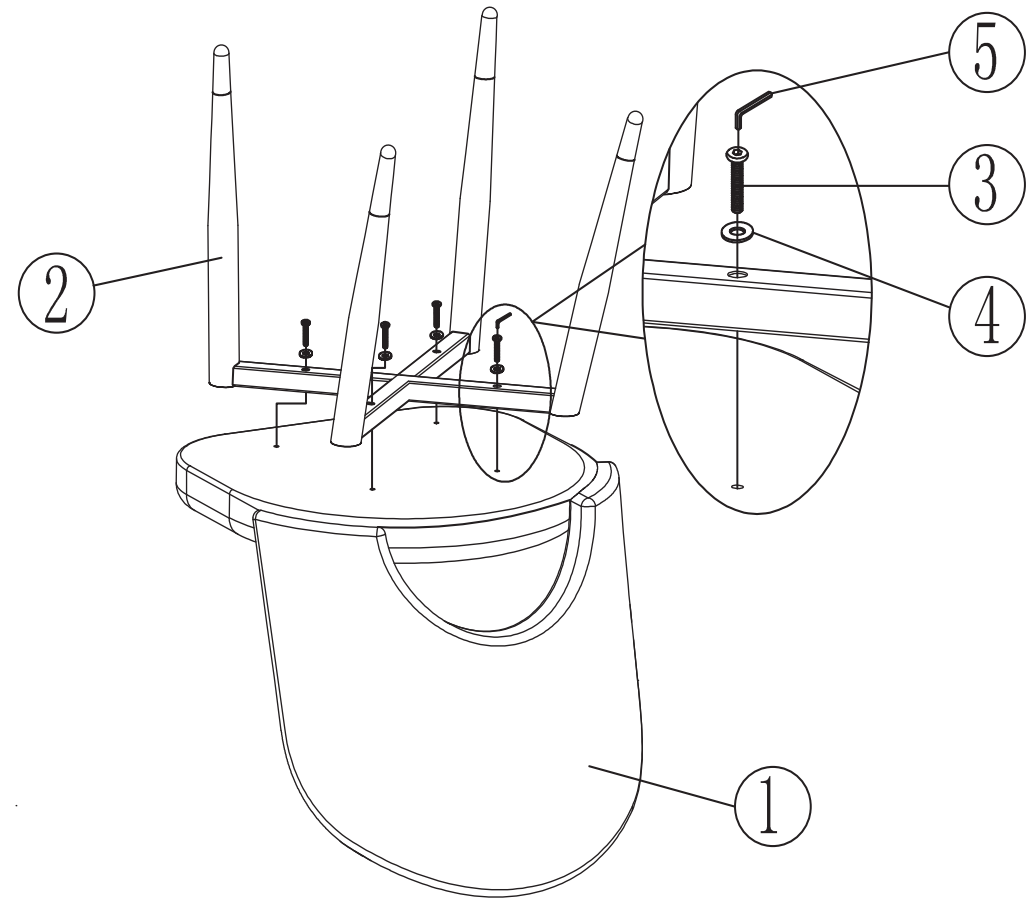









## HUDSON CHAIR ASSEMBLY INSTRUCTION

- 80003= 50051-Col 13 / 50052-Col 13
- 80004= 50051-Col 01 / 50052-Col 01
- 80005= 50051-Col 09 / 50052-Col 09
- 80006= 50051-Col 06 / 50052-Col 06
- 80078= VELVET FUTURE 73
- 80080= VELVET FUTURE 51
- 80083= VELVET FUTURE 78
- 80034= VELVET FUTURE 09



	 ① X1	 ② X1	 M6 X 45 ③ X4	 $\phi 16 / \phi 6$ ④ X4
	 4# ⑤ X1			