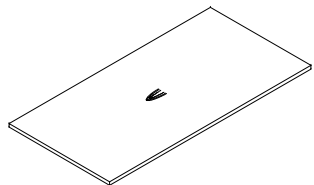


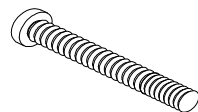
80082-Table Duran eckig 160*80cm Wood

KARE
DESIGN

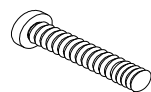
(1) × 1



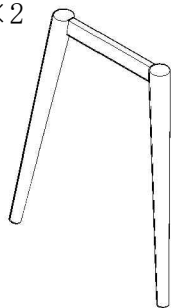
(4) × 4 M8*65



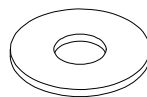
(5) × 8 M8*30



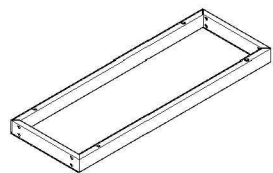
(2) × 2



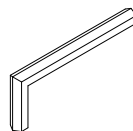
(6) × 4 Φ8*17*1.2



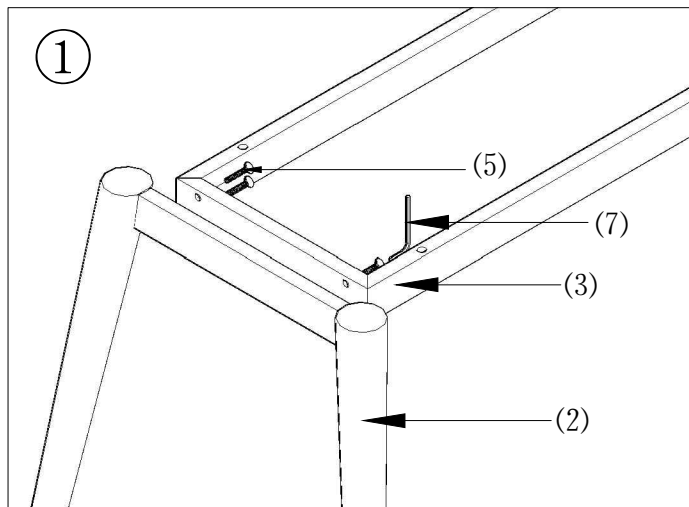
(3) × 1



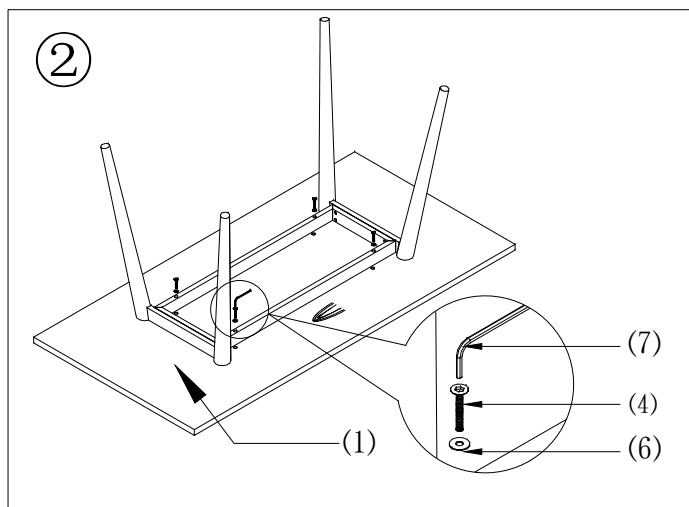
(7) × 1 5mm



①



②



③

