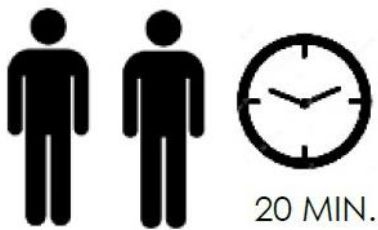
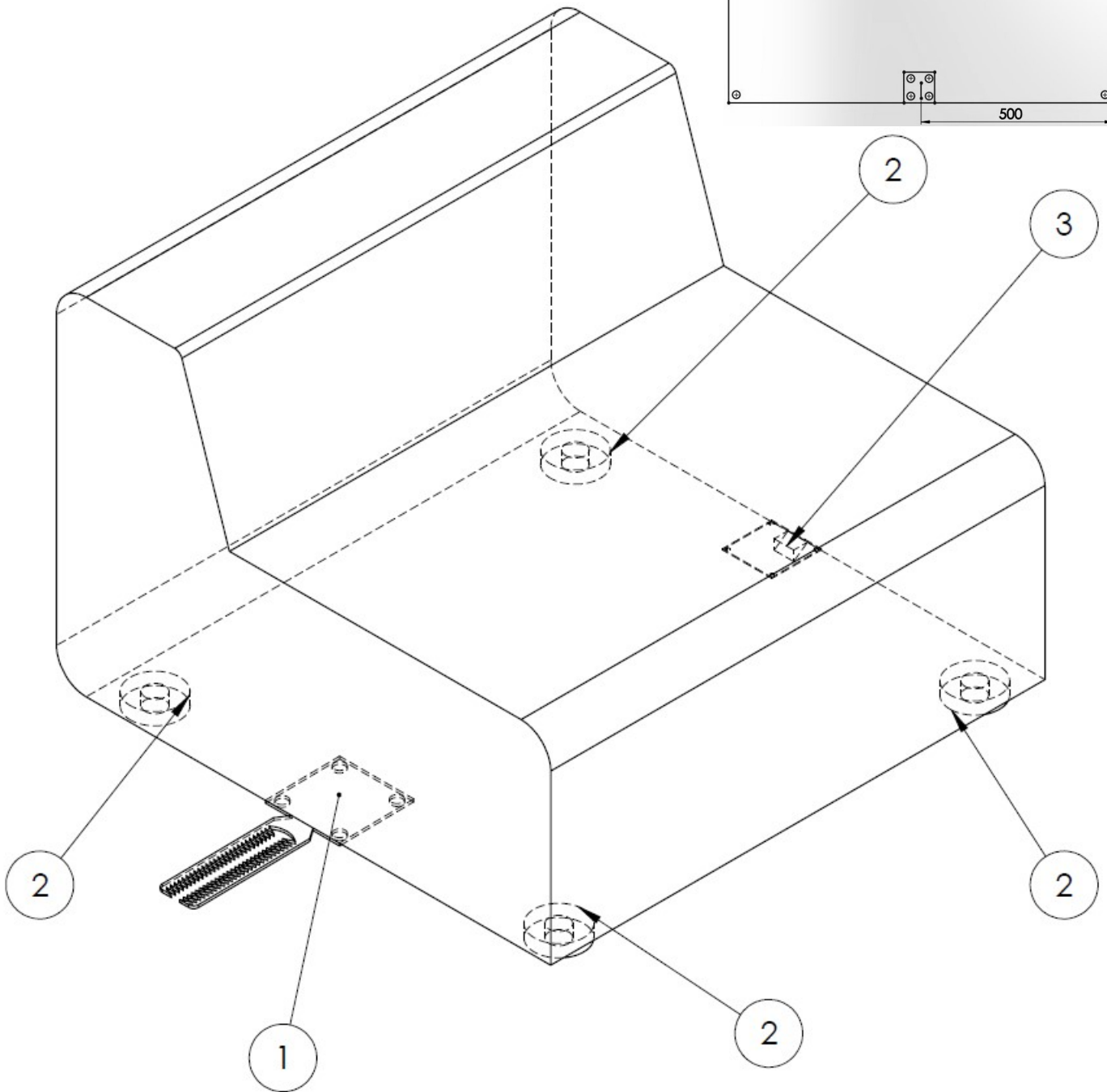
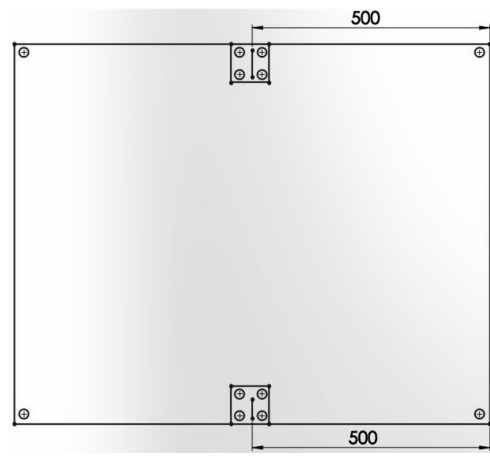


KARE

DESIGN

82036



ITEM No.	ITEM	QUANTITY
1.		1
2.		4
3.		1