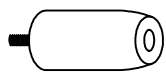
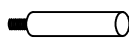


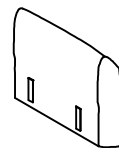
ASSEMBLY INSTRUCTION (SP100)



A*4

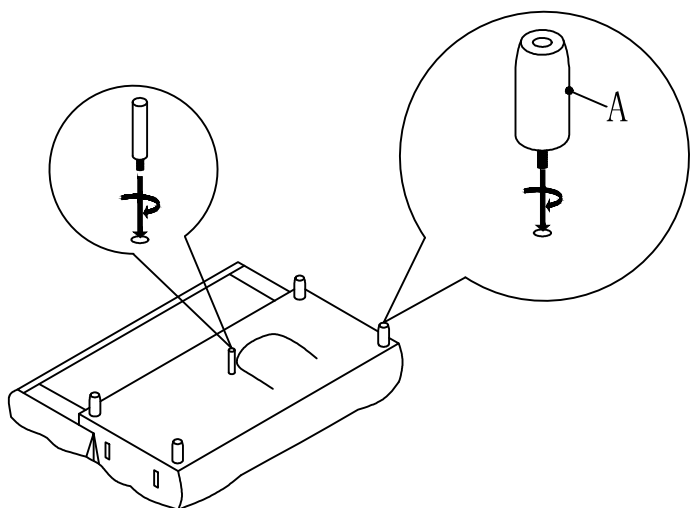


B*1

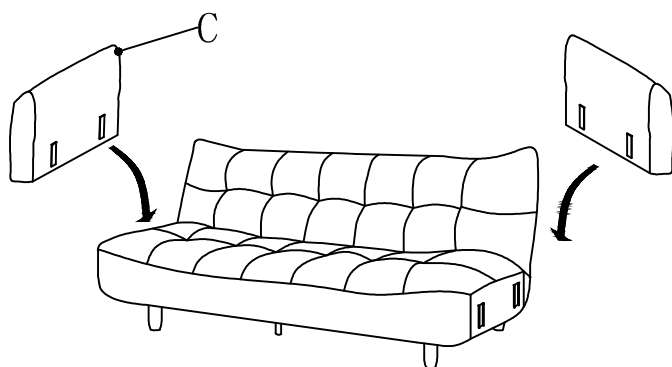


C*2

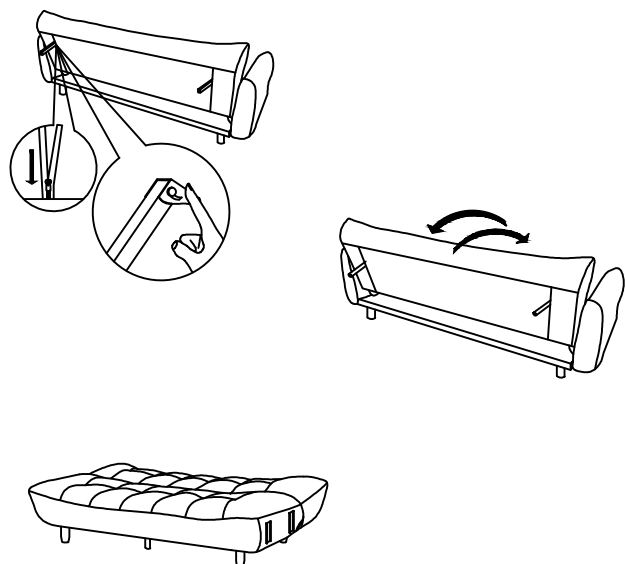
1



2



3



4

