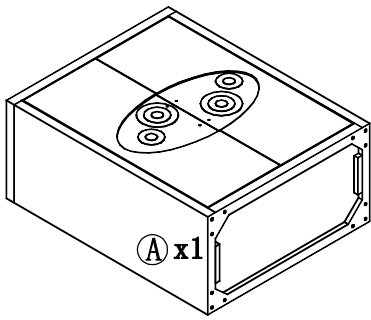
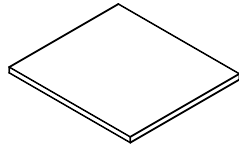


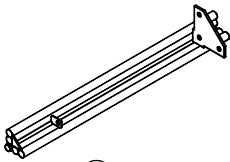
#1



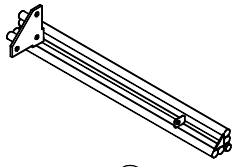
(A) x1



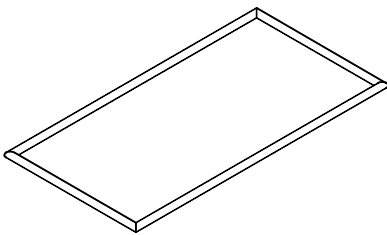
(B) x2



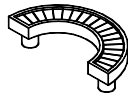
(C) x2



(D) x2

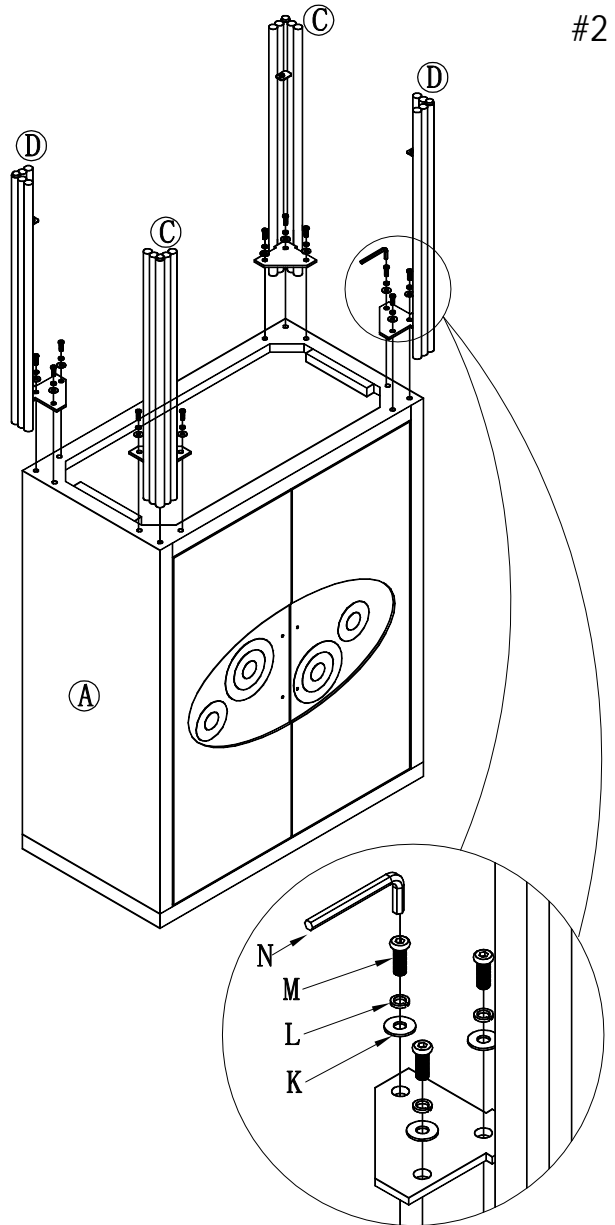


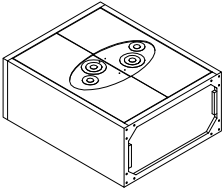
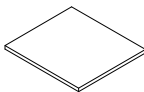
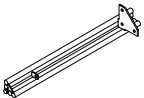
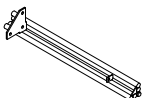
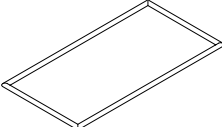


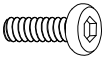




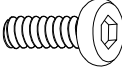
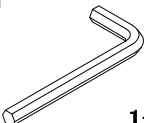



(E) x1



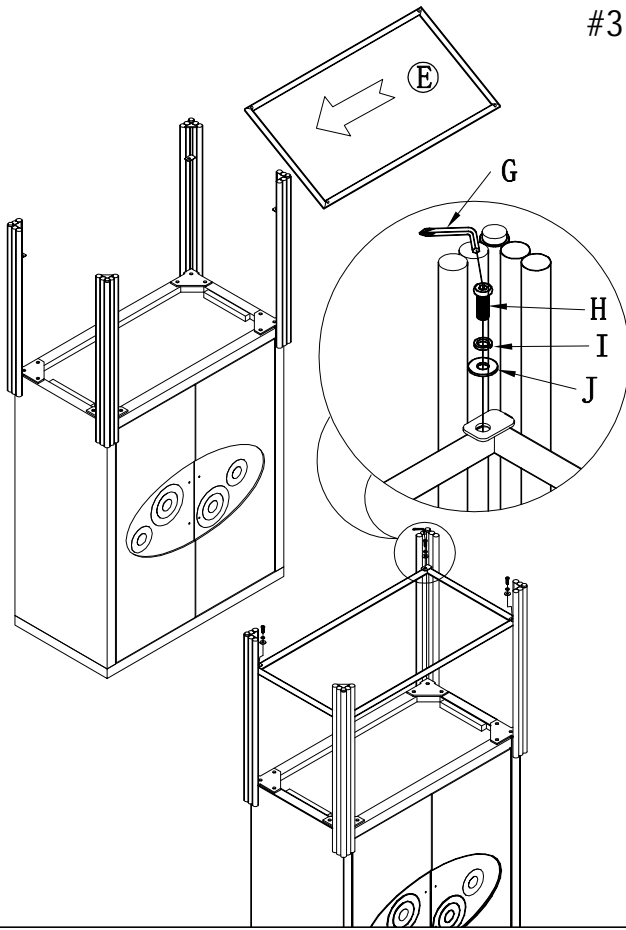
(F) x2

#2

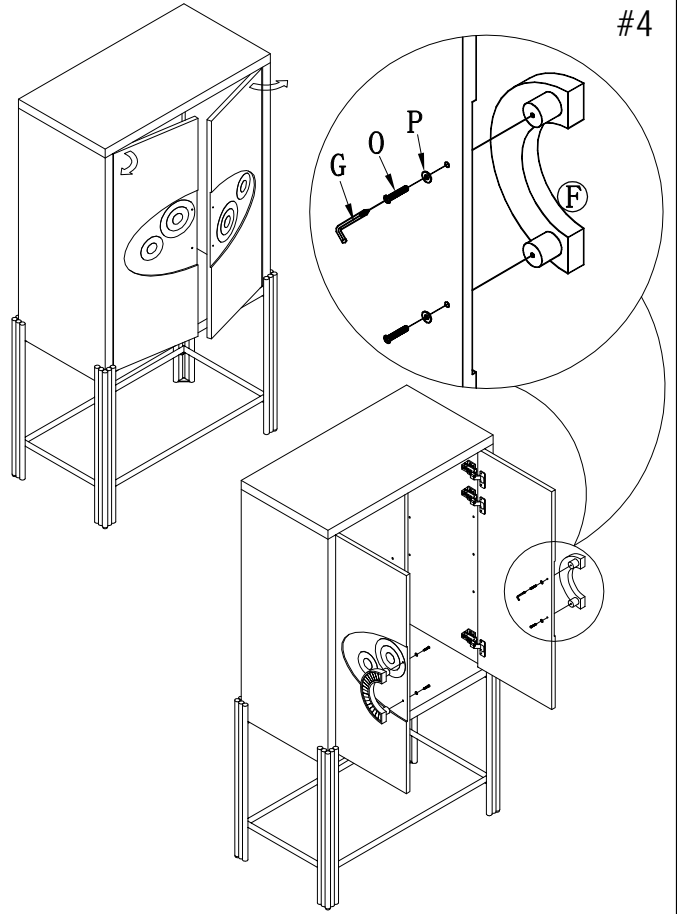


<p>A</p>  <p>1pc</p>	<p>B</p>  <p>2pcs</p>	<p>C</p>  <p>2pcs</p>	<p>D</p>  <p>2pcs</p>	<p>E</p>  <p>1pc</p>	<p>F</p>  <p>2pcs</p>
<p>G</p>  <p>1pc</p>	<p>H</p>  <p>4pcs</p>	<p>I</p>  <p>4pcs</p>	<p>J</p>  <p>4pcs</p>	<p>K</p>  <p>12pcs</p>	<p>L</p>  <p>12pcs</p>
<p>M</p>  <p>12pcs</p>	<p>N</p>  <p>1pc</p>	<p>O</p>  <p>4pcs</p>	<p>P</p>  <p>4pcs</p>	<p>Q</p>  <p>8pcs</p>	

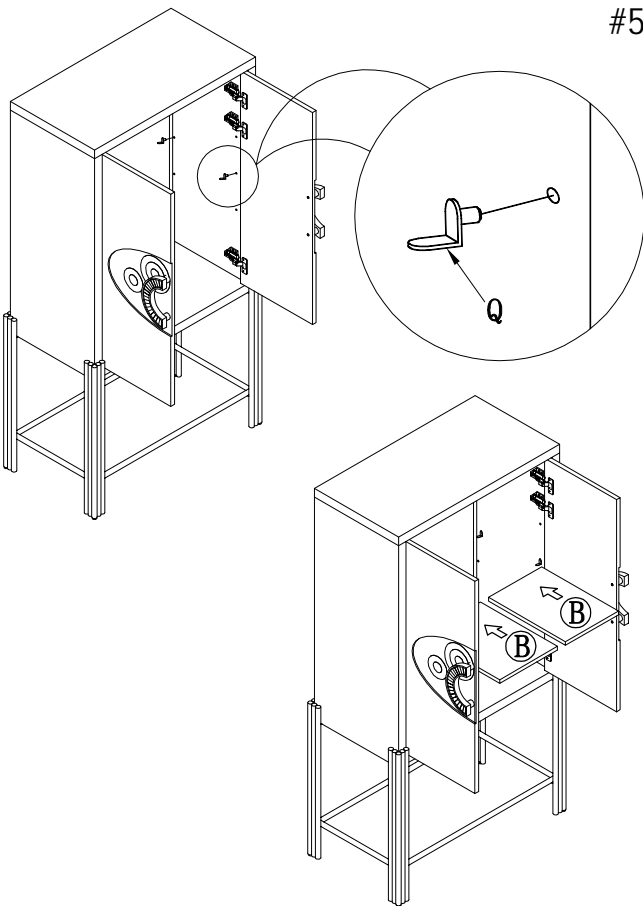
#3



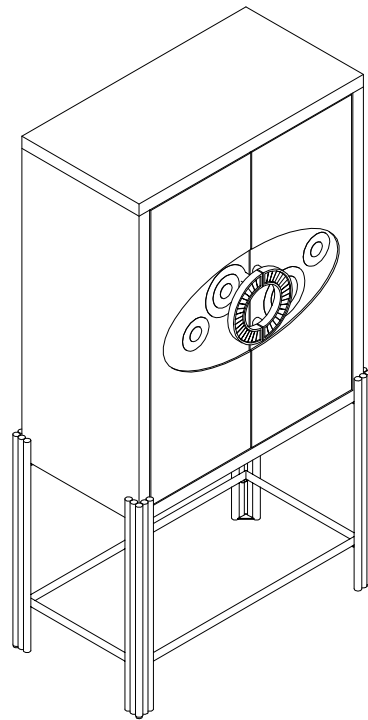
#4



#5

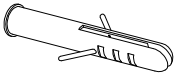

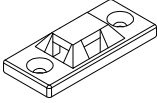
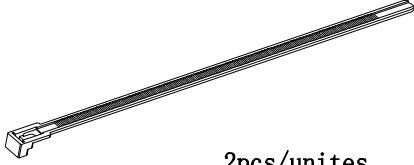


#6



83173 Cabinet Enigma



<p>1</p>  <p>4pcs/unites</p>	<p>2</p>  <p>4pcs/unites</p>	<p>3</p>  <p>2pcs/unites</p>	<p>4</p>  <p>2pcs/unites</p>
---	---	---	---

