

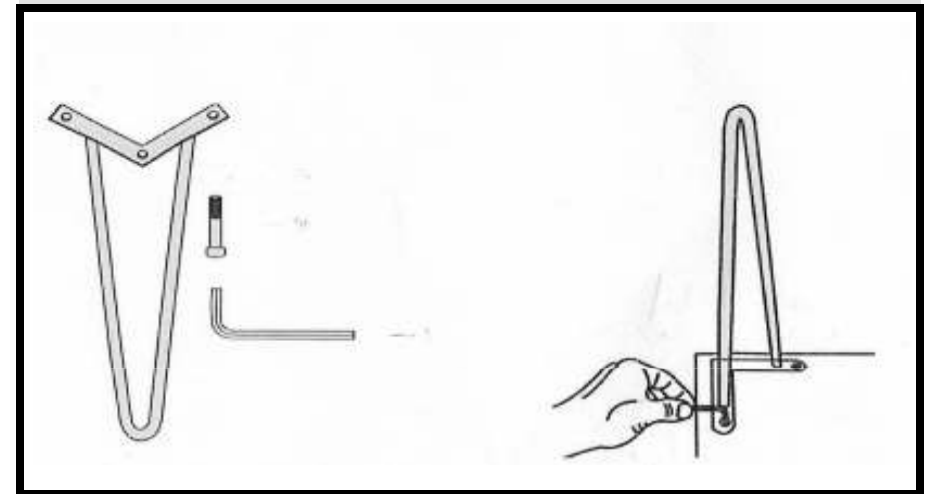


Assembly Instruction for Bench

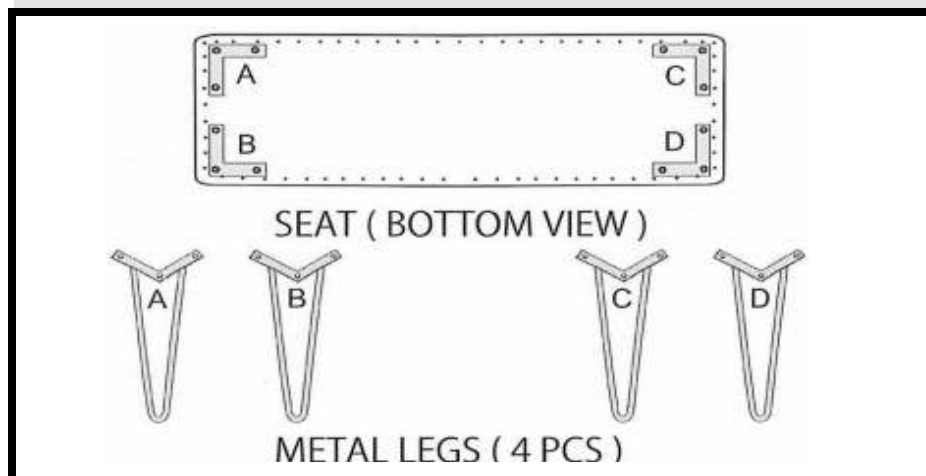
HARDWARE

SR NO	DESCRIPTION	SKETCH	QTY
1	BOLT		12
2	ALLEN KEY		1

HOW TO ASSEMBLE



PART OF PRODUCT



ASSEMBLED PRODUCT

