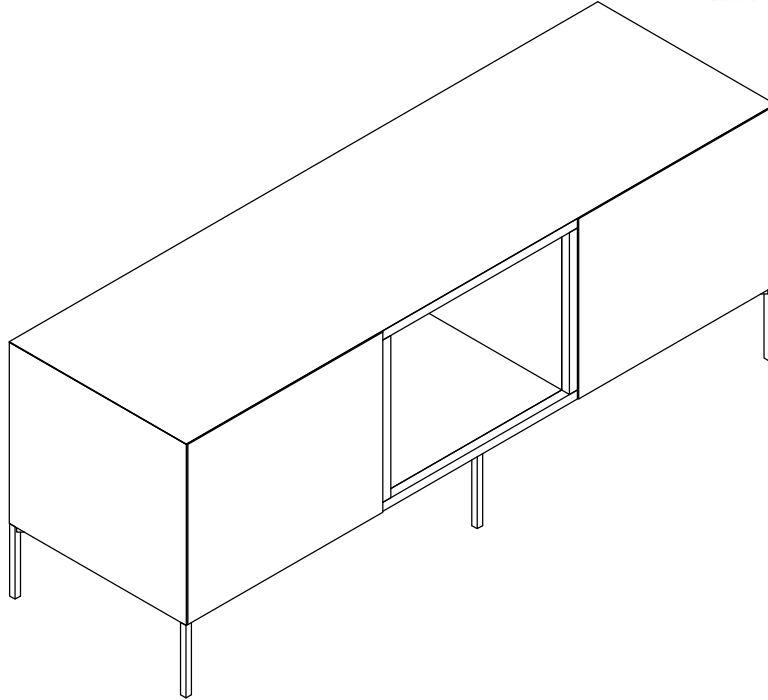


ASSEMBLY INSTRUCTION

83551 PHOENIX-LOWBOARD 151 1NICHE+2HATCHES

KARE DESIGN



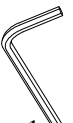
A x 12
M6x20



B x 12
Ø6.4x16x1.2



C x 12
Ø6.4x13x1.2

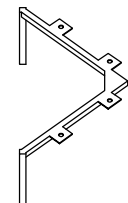
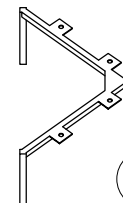
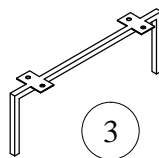
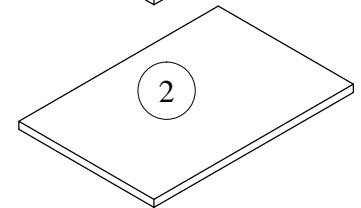
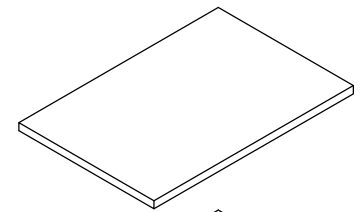
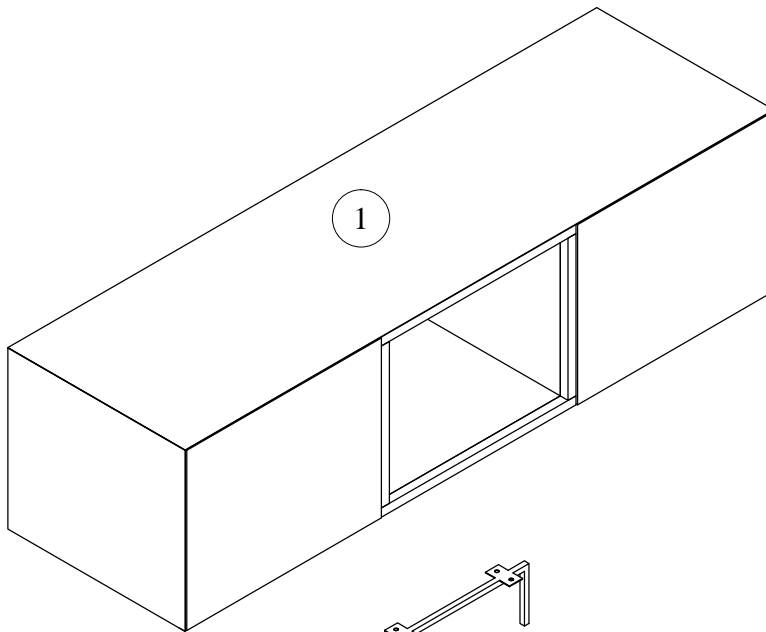


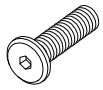
D x 1
V4x110



K x 8
Ø5x15

1	2	3	4
x1	x2	x1	x2





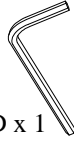
A x 12
M6x20



B x 12
Ø6.4x16x1.2

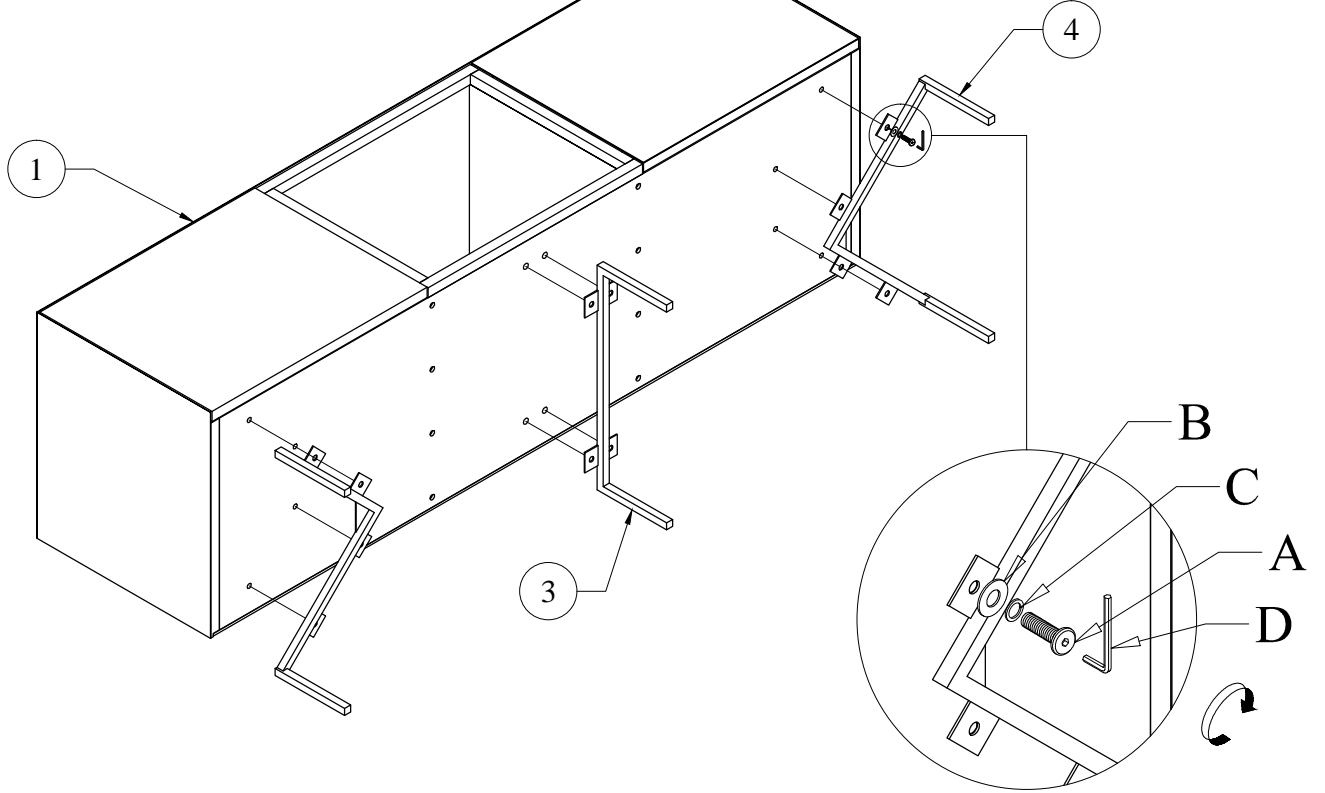


C x 12
Ø6.4x13x1.2



D x 1
V4x110

STEP 1



K x 8
Ø5x15

STEP 2

