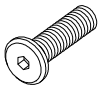
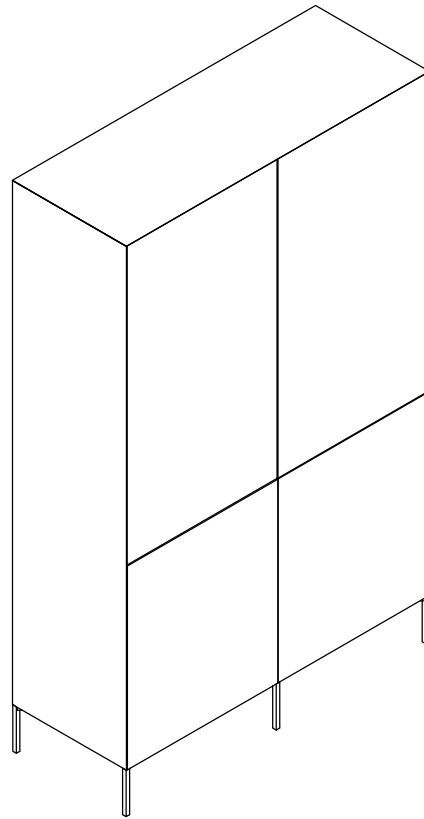


# ASSEMBLY INSTRUCTION

## 83552 PHOENIX-DOUBLE VITRINE 4 DOORS

# KARE DESIGN



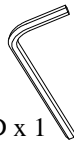
A x 12  
M6x20



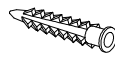
B x 12  
Ø6.4x16x1.2



C x 12  
Ø6.4x13x1.2



D x 1  
V4x110



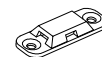
E x 4  
M6x50



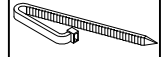
F x 4  
M4x20



G x 4  
M4x40



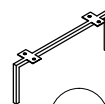
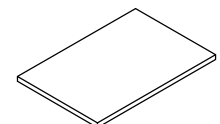
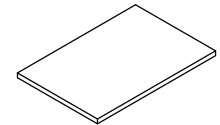
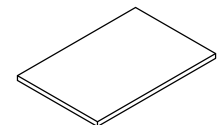
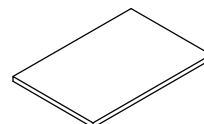
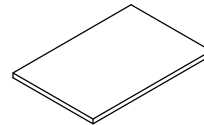
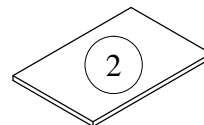
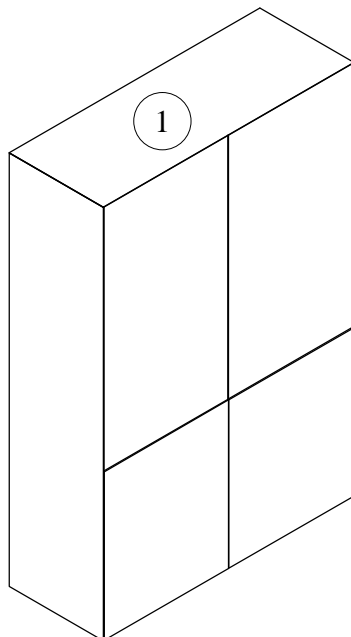
H x 4  
10x20x40



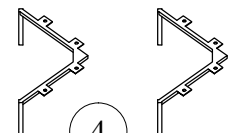
I x 2  
L 300



K x 24  
Ø5x15



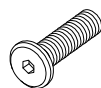
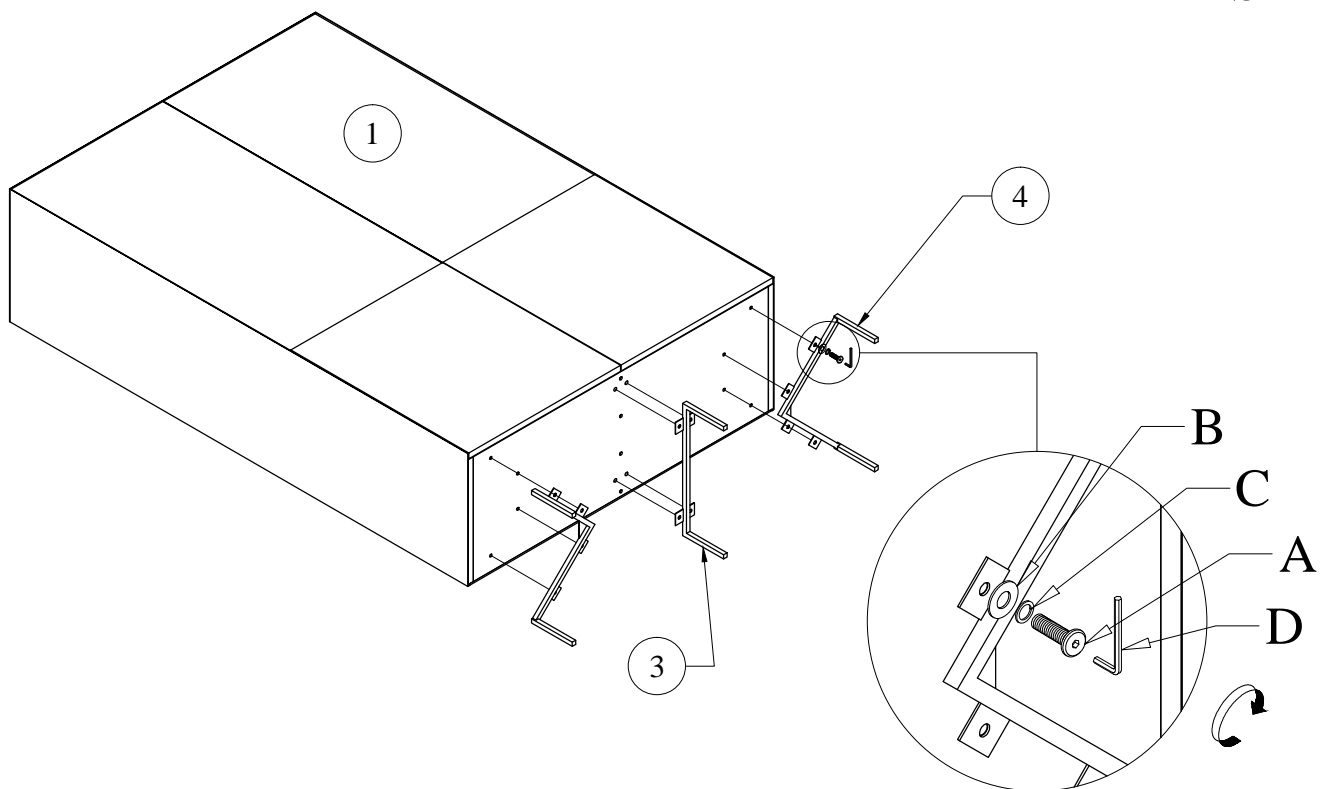
3



4

1	2	3	4
x1	x6	x1	x2

# STEP 1



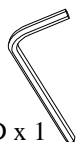
A x 12  
M6x20



B x 12  
Ø6.4x16x1.2

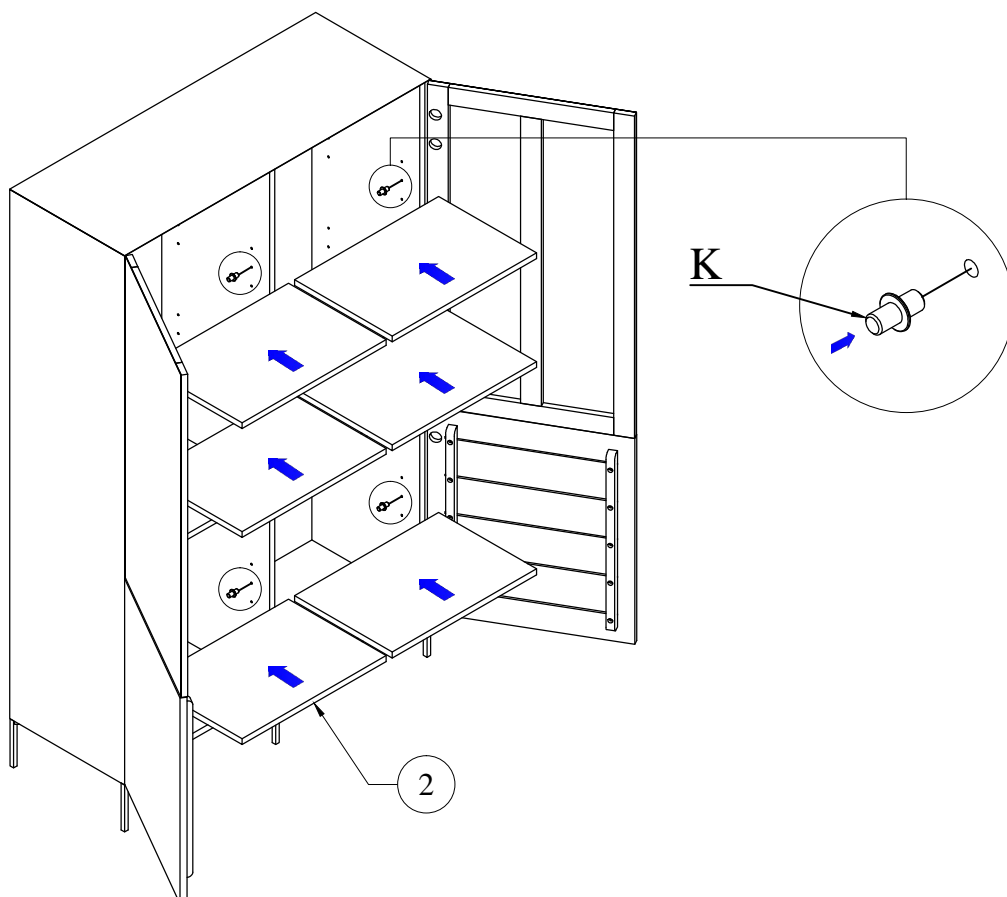


C x 12  
Ø6.4x13x1.2



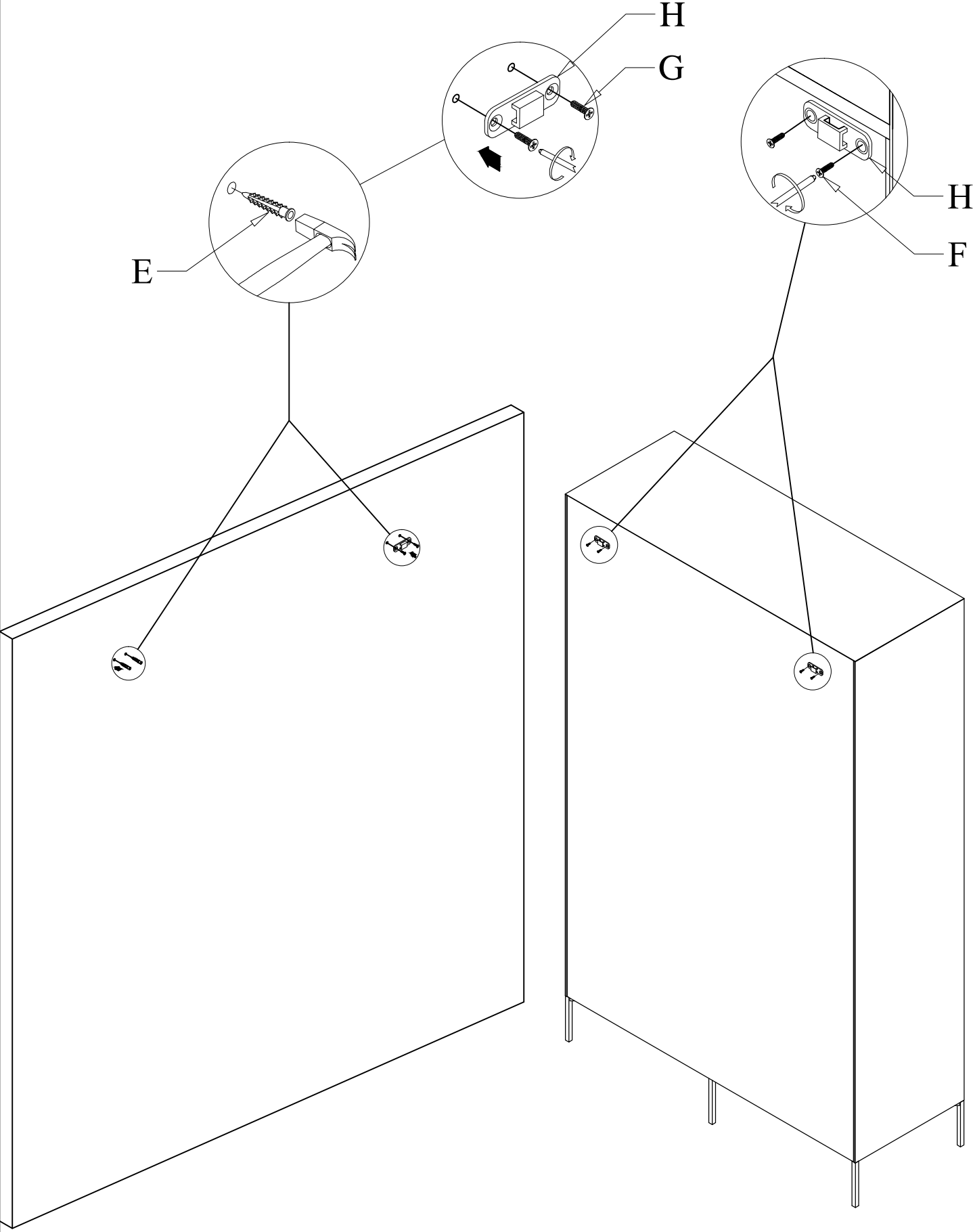
D x 1  
V4x110

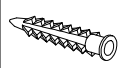

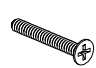
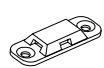
# STEP 2



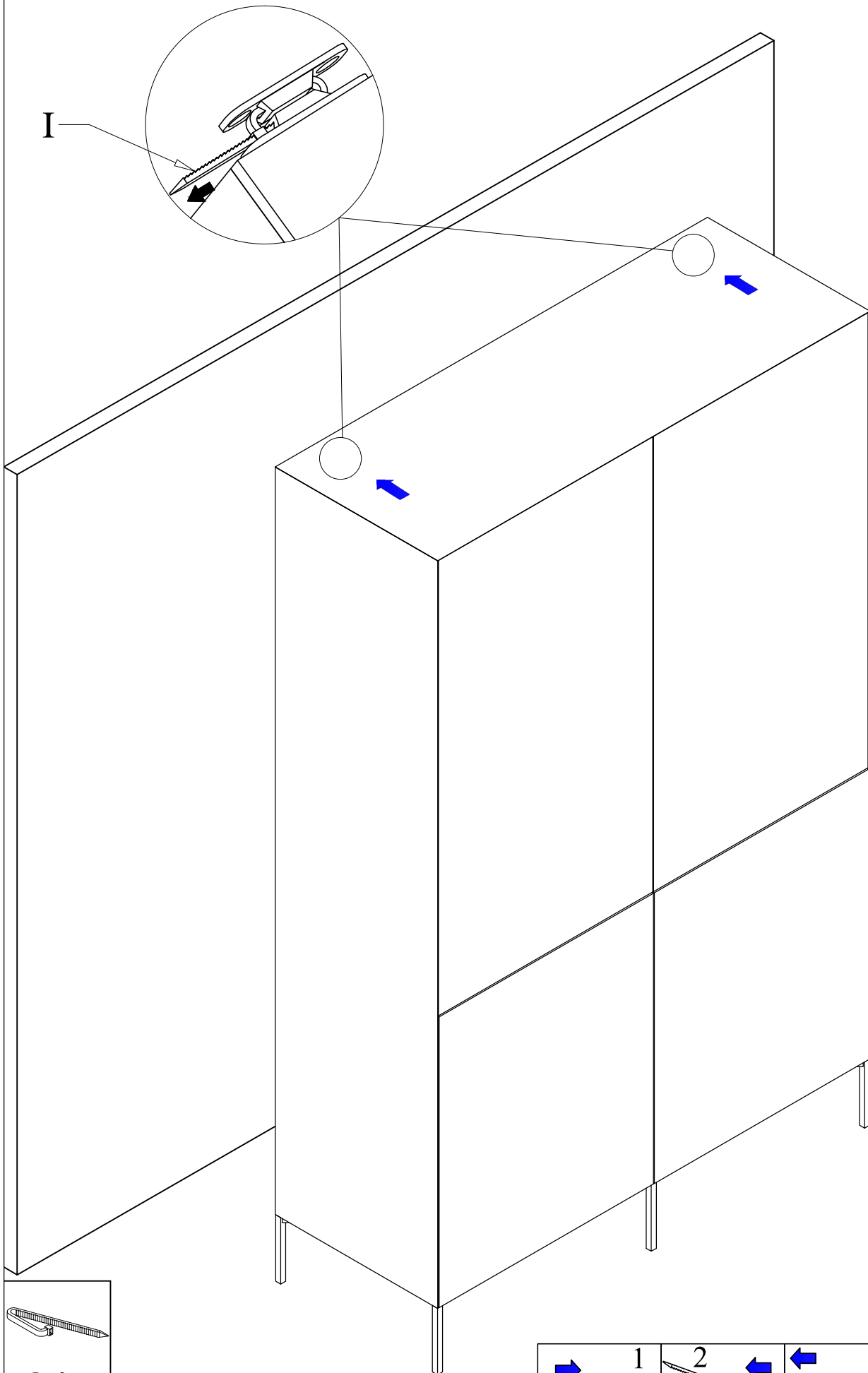
K x 24  
Ø5x15

STEP 3



			
E x 4 M6x50	F x 4 M4x20	G x 4 M4x40	H x 4 10x20x40

# STEP 4



I

