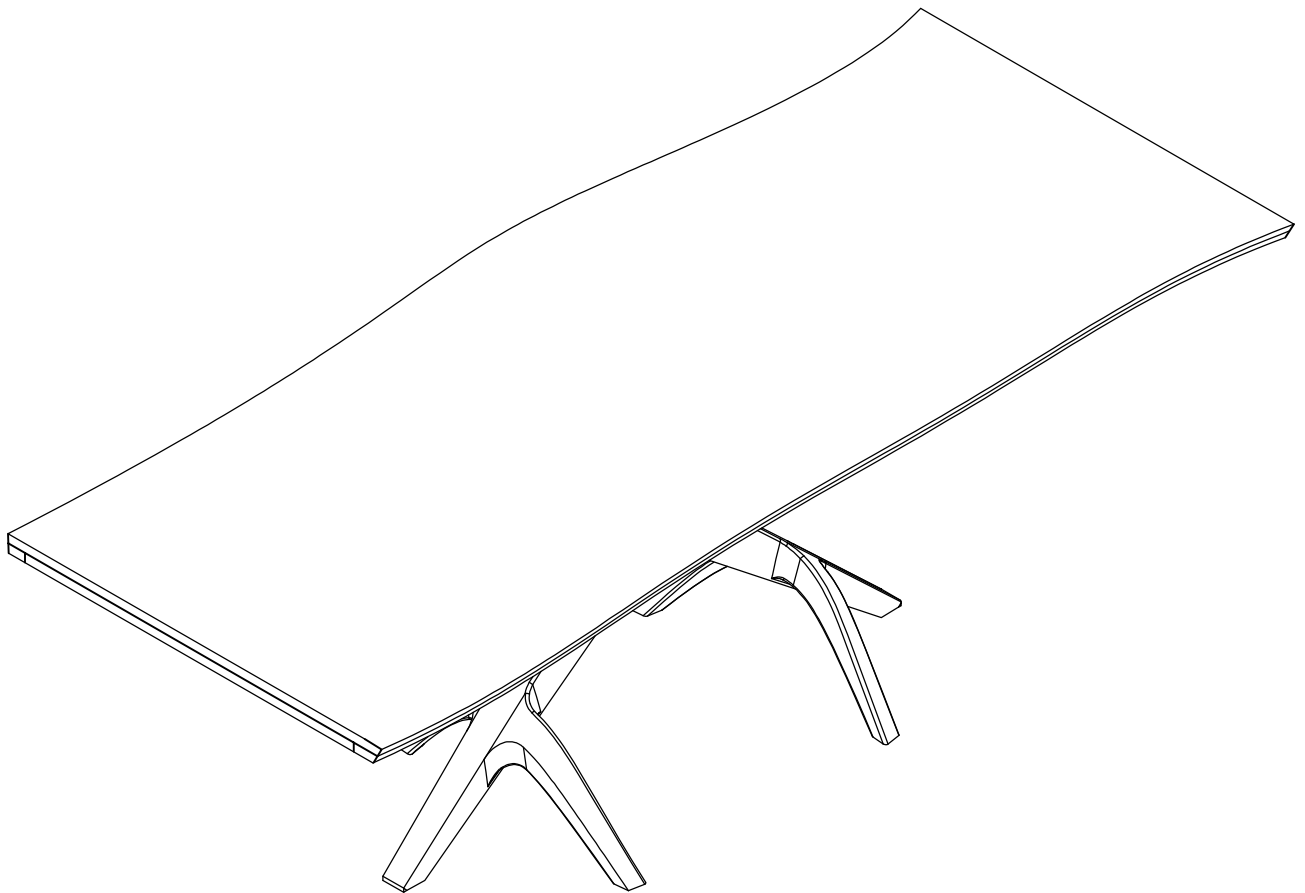
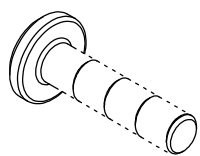
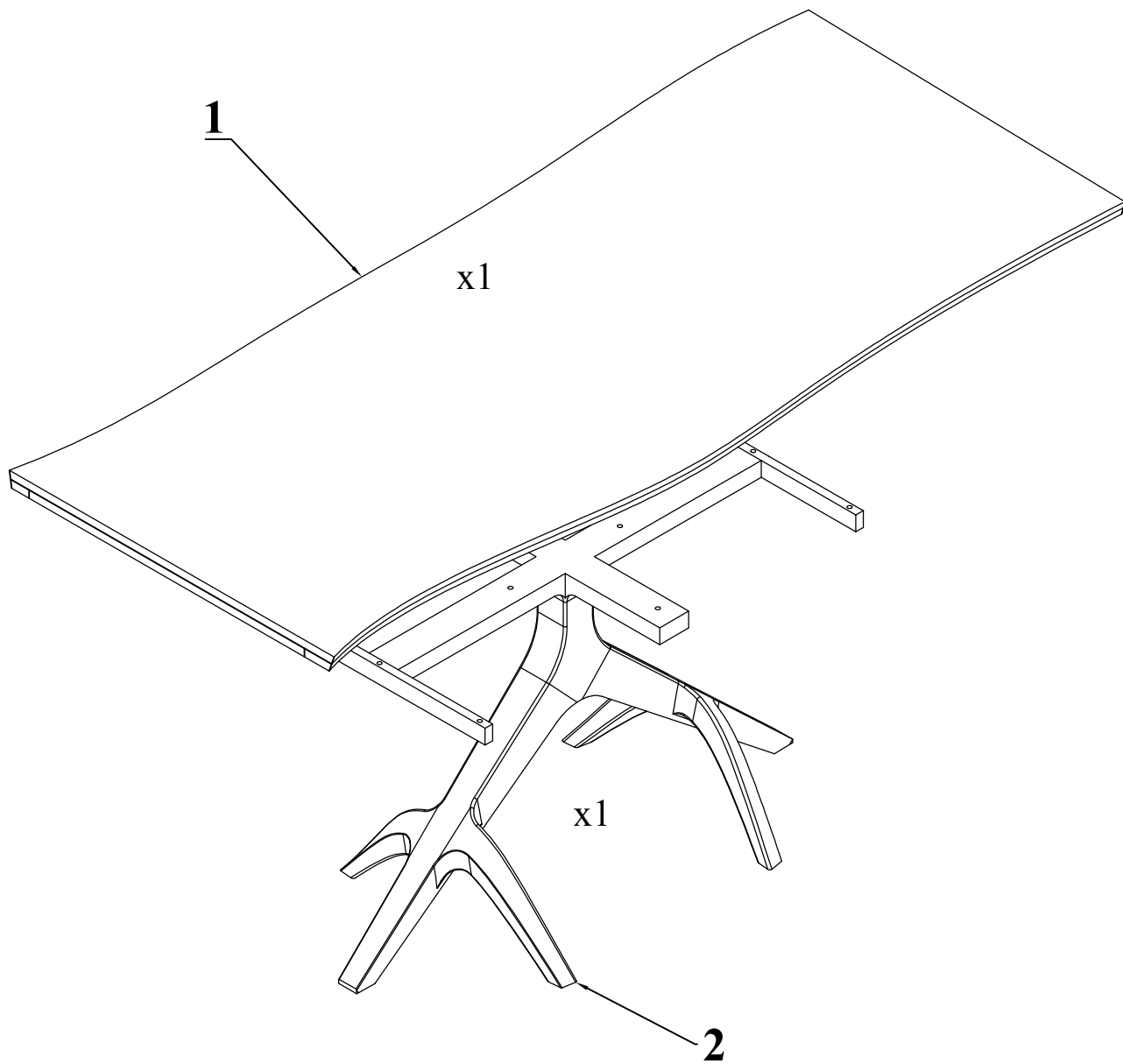


**KARE**  
DESIGN

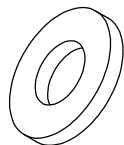
# ASSEMBLY INSTRUCTION

## 83568 - TISCH ROOTS NATURE 180X90CM

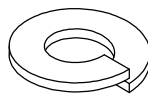




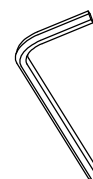
**A x10**  
**M8x65**



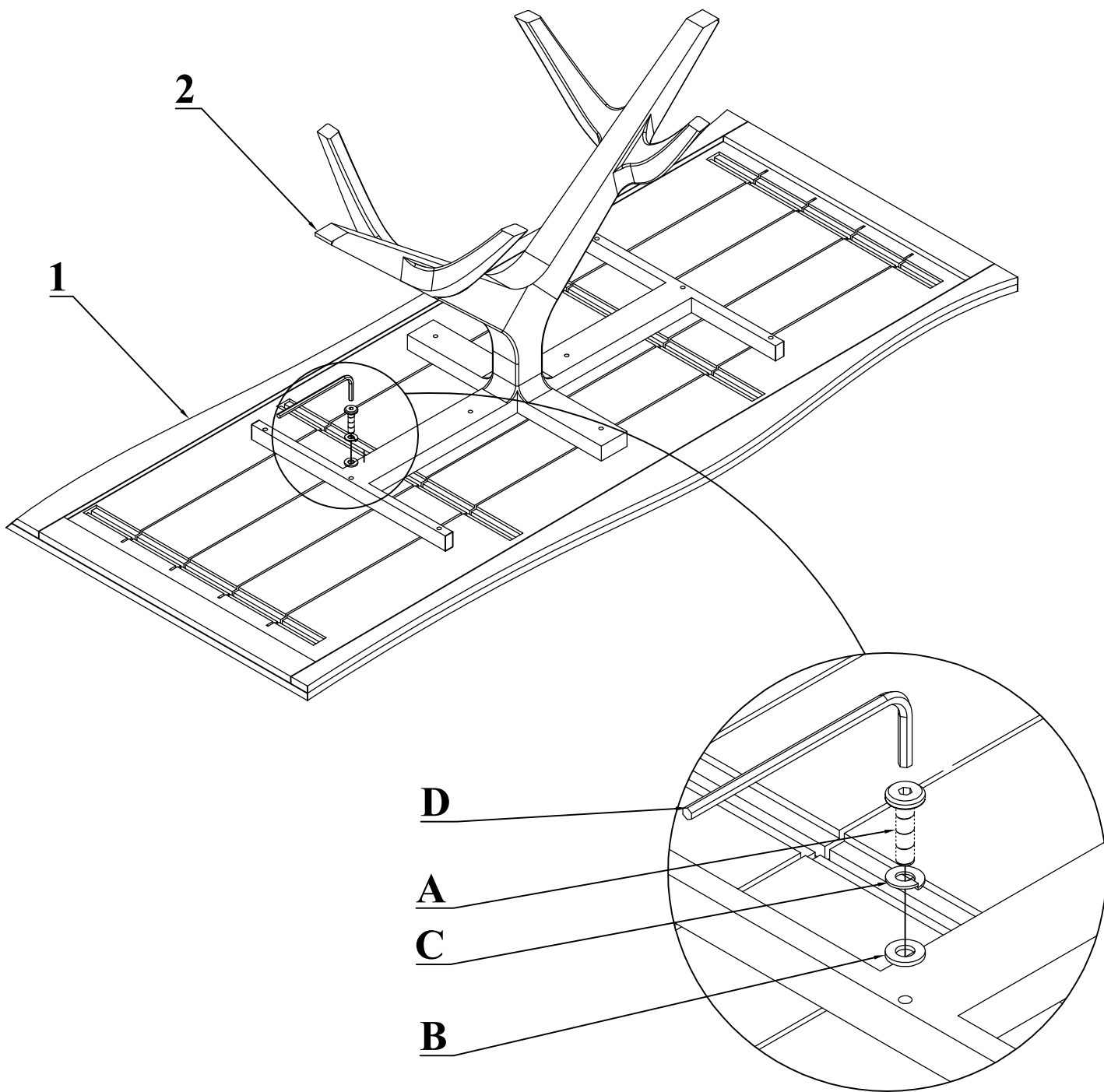
**B x 10**  
 $\text{Ø}8.4 \times 18 \times 1.6$



**C x 10**  
 $\text{Ø}8 \times 13 \times 1.6$



**D x 1**  
**M4x100**

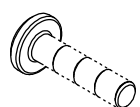


**D**

**A**

**C**

**B**



A x 10  
M8x65



B x 10  
Ø8.4x18x1.6



C x 10  
Ø8x13x1.6



D x 1  
M4x100