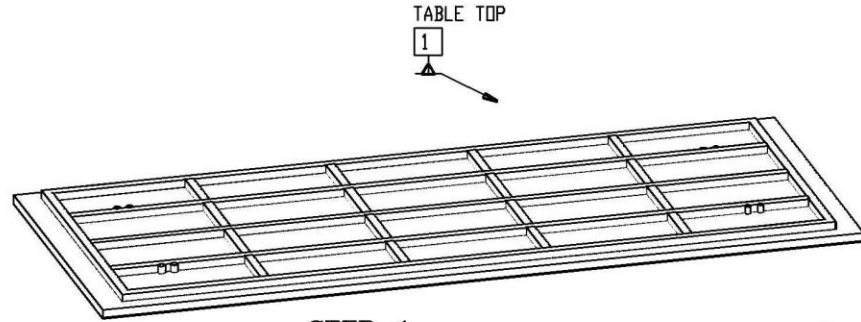
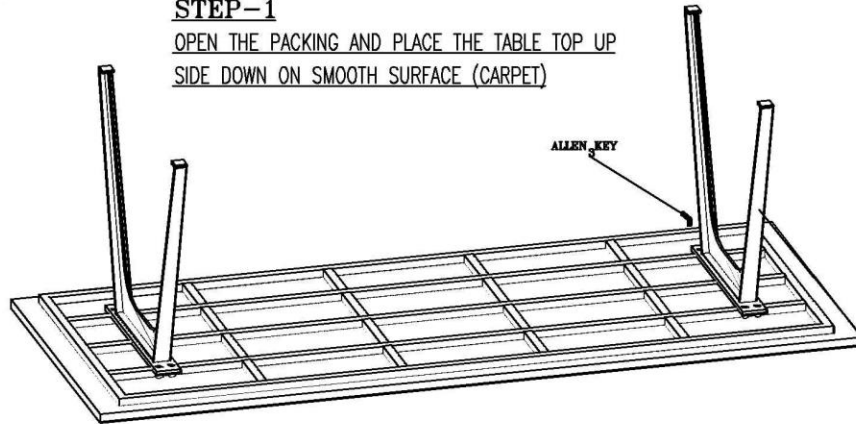


84301 TABLE PARADISE 200X90 CM

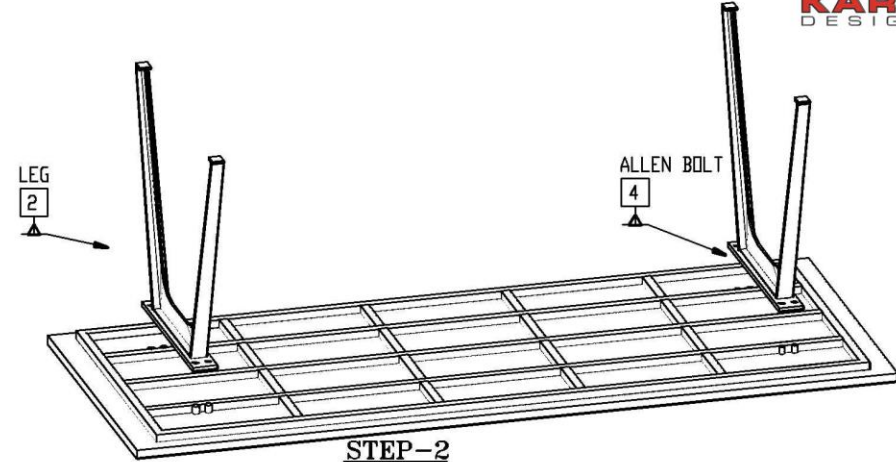
KARE
DESIGN



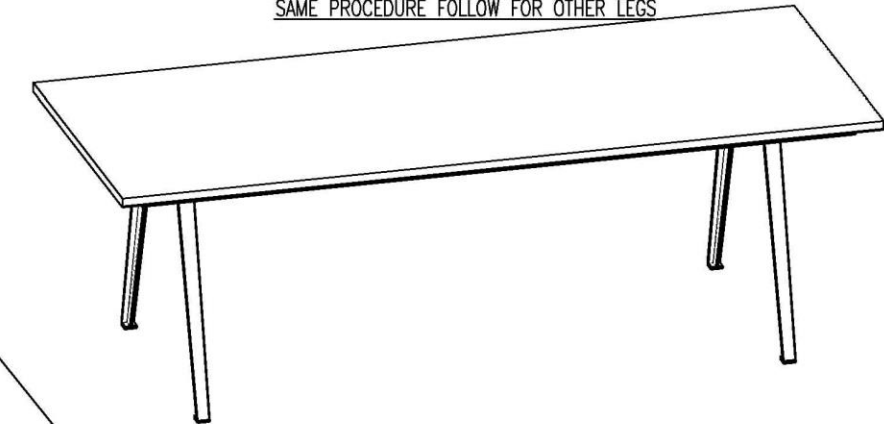
STEP-1
OPEN THE PACKING AND PLACE THE TABLE TOP UP
SIDE DOWN ON SMOOTH SURFACE (CARPET)



STEP-3
USE THE ALLEN KEY TO SCREW THE ALLEN BOLT



STEP-2
PLACE THE LEGS ON THE MATCH HOLES
SAME PROCEDURE FOLLOW FOR OTHER LEGS



NO TO NO MATCH

| ITEM NO. | DESCRIPTIONS | QTY. |
|---|--------------|------|
| 1 | TABLE TOP | 01 |
| 2 | LEG | 02 |
| 3 | ALLEN KEY | 01 |
| 4 | ALLEN BOLT | 08 |
| ASSEMBLY INSTRUCTIONS | | |
| SHUTTERING DINING TABLE WITH INVERTED V LEGS | | |