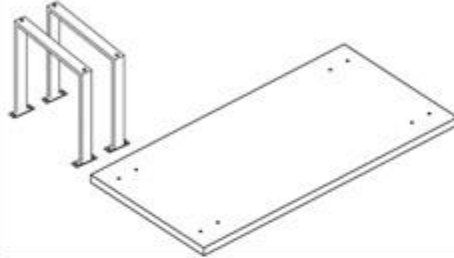


**KARE**  
DESIGN




84583 Tisch Symphony  
Messing 200x100

Parts.

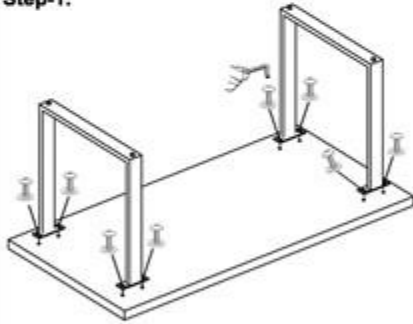


Hardware-

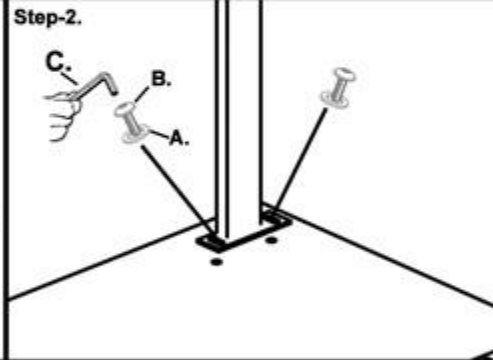
Qty.

A.		Flat Washer	08
B.		Bolt	08
C.		Wrench	01

Step-1.



Step-2.



Step-3.

