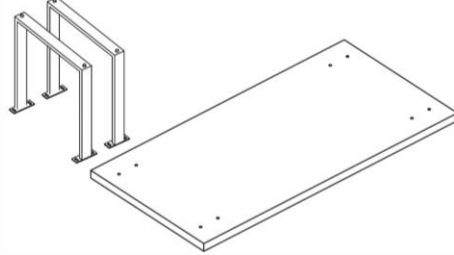


KARE
DESIGN




84595 Tisch Symphony Eiche Silber 160x80
84600 Tisch Symphony Eiche Silber 180x90
84604 Tisch Symphony Eiche Silber 200x100
84582 Tisch Symphony Messing 180x90

Parts.

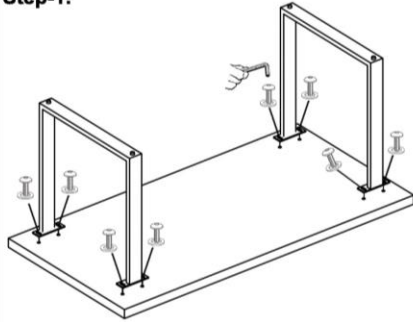


Hardware-

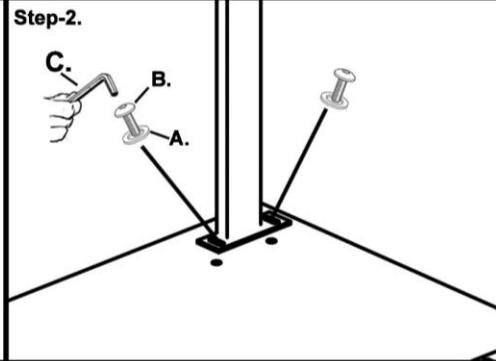
Qty.

A.		Flat Washer	08
B.		Bolt	08
C.		Wrench	01

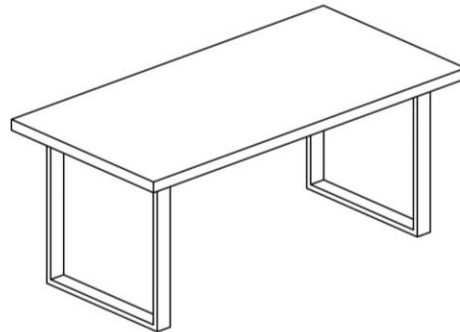
Step-1.



Step-2.



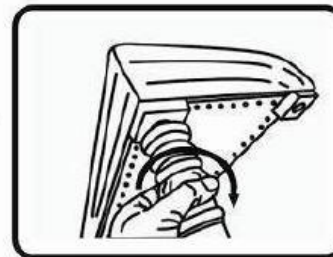
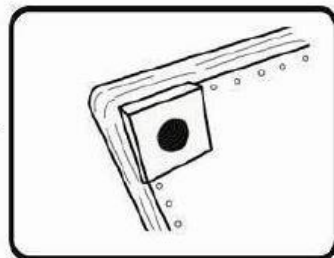
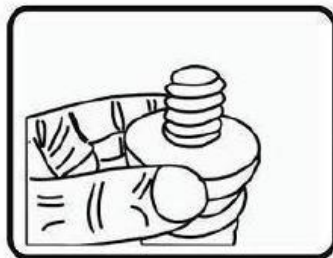
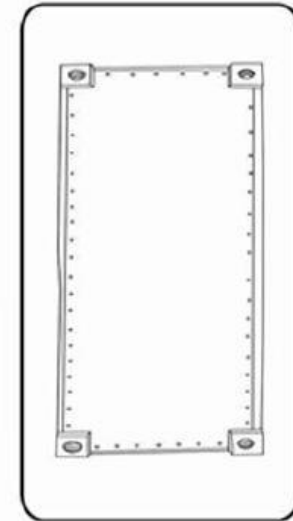
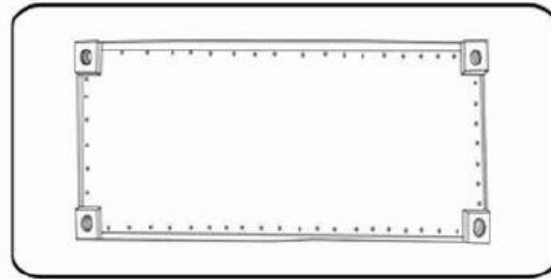
Step-3.

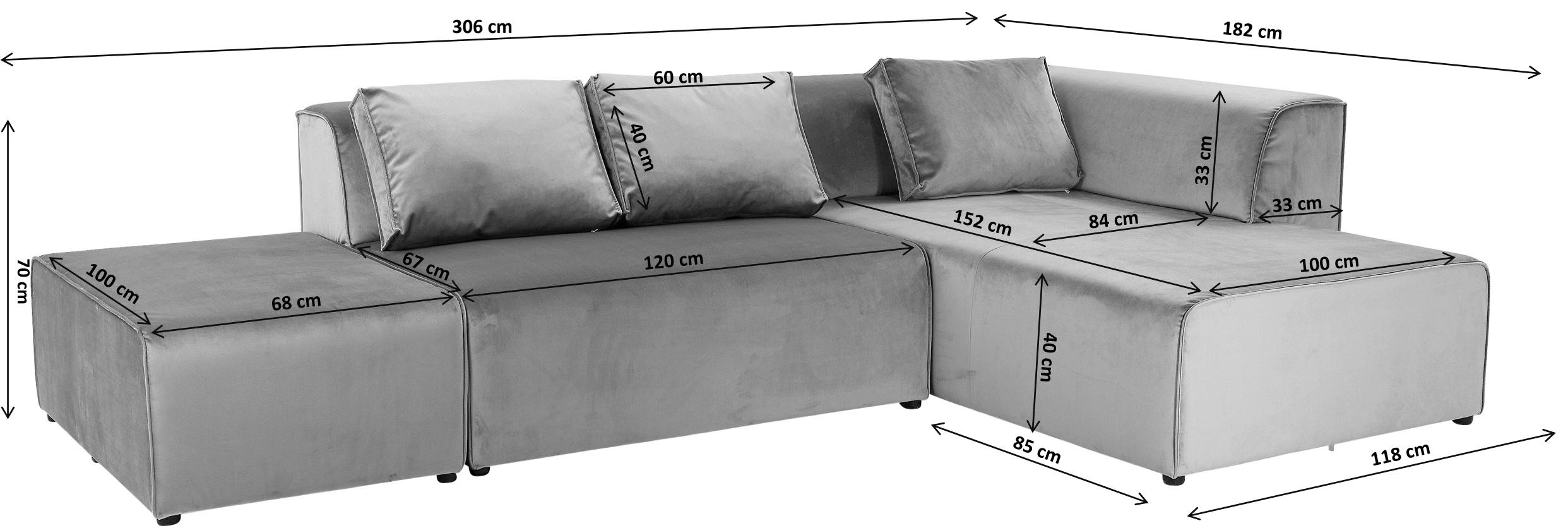


KARE

DESIGN

78521 - Ecksofa Oxford 3er Vintage Econo Links







45 cm

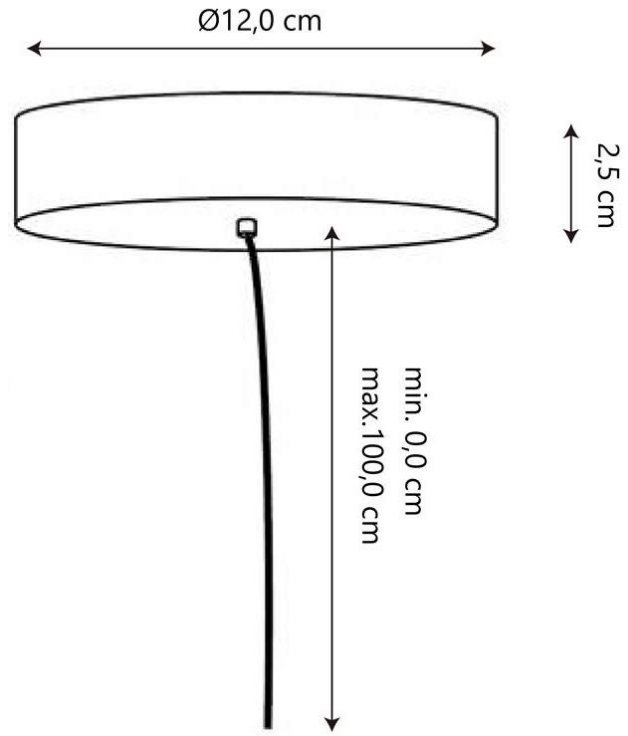
40 cm

175 cm

KAR

100% Solid Wood







Unscrew the outer ring to change the bulb

