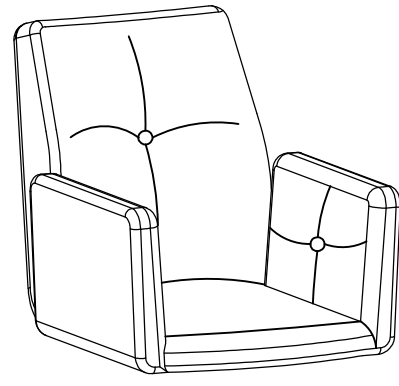
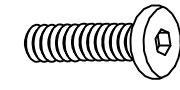


① × 1

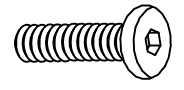


② × 1



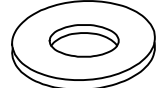
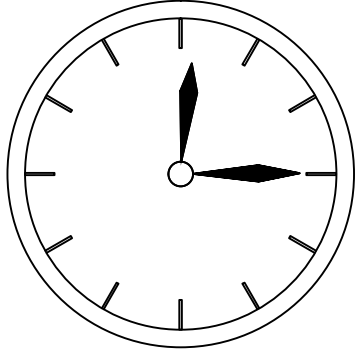
M6 × 30

③ × 2



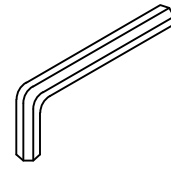
M6 × 35

④ × 2



φ16/φ6

⑤ × 4



4#

⑥ × 1

