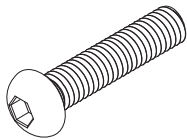
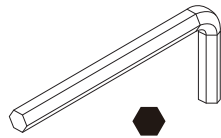


A x 16



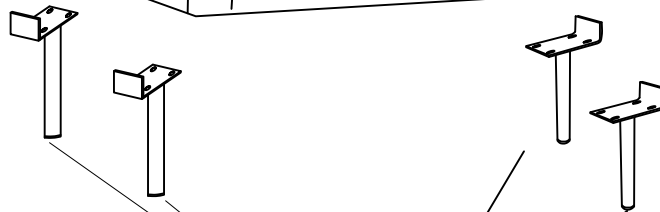
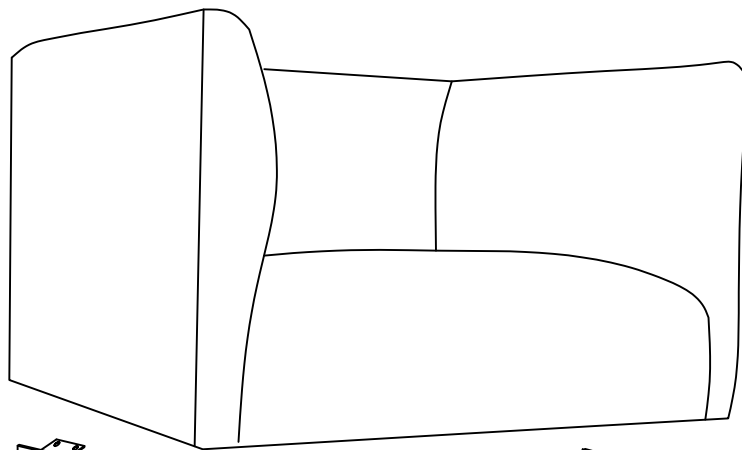
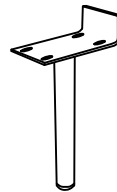
M8x25 mm

B x 1

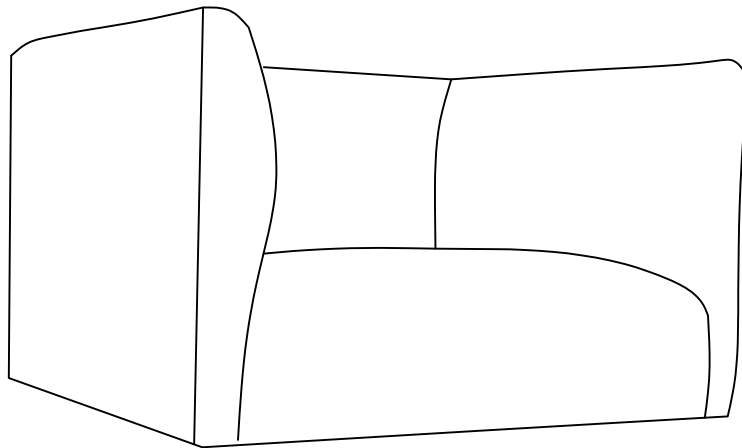


5 mm

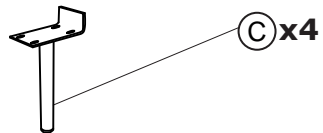
C x 4



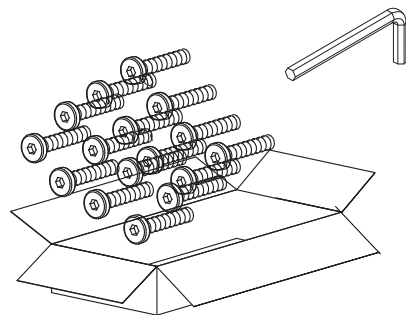
© x 4



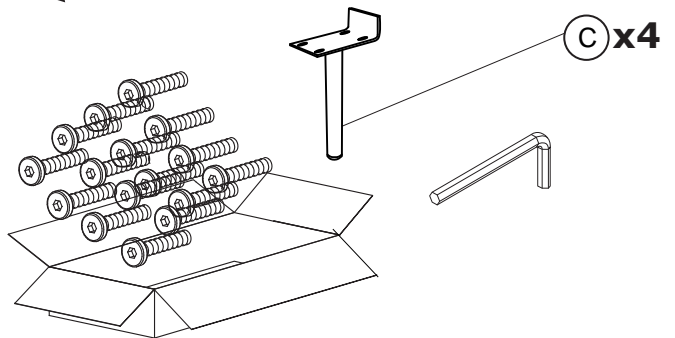
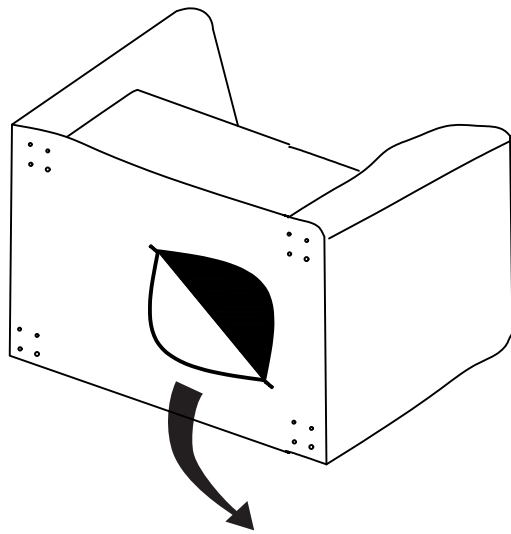
865×760×535mm



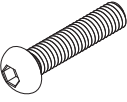
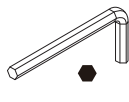

Ø25×210mm

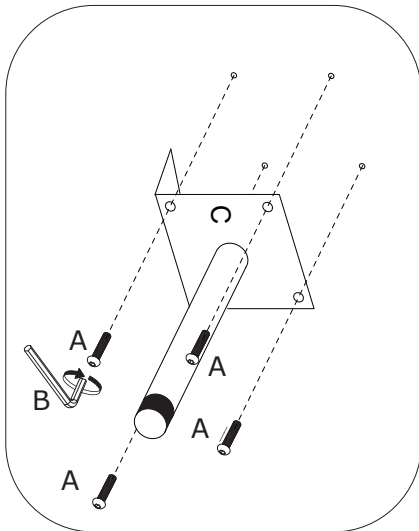
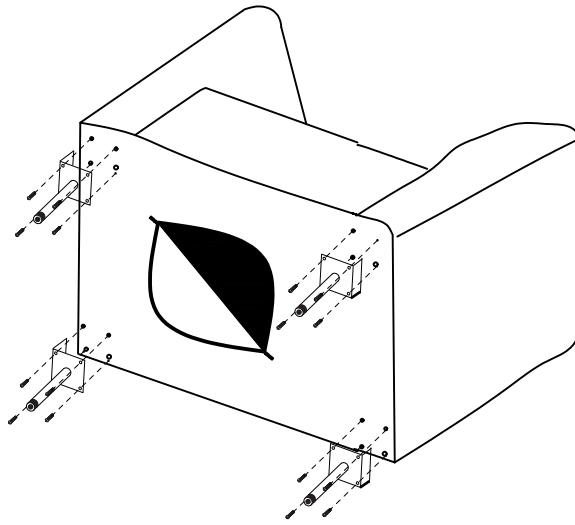


1



2

<p>A × 16</p>  <p>M8×25 mm</p>	<p>B × 1</p>  <p>5 mm</p>	<p>C × 4</p> 	
---	--	--	--



3

