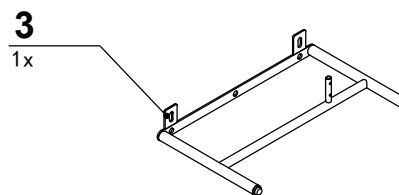
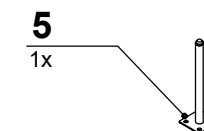
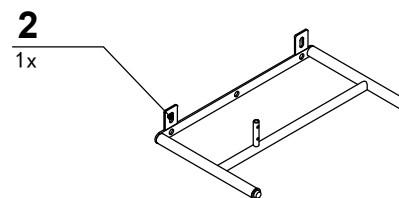
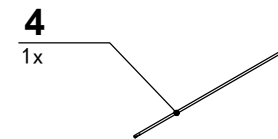
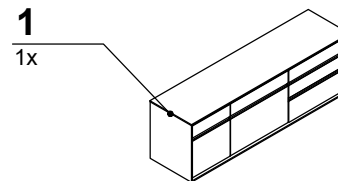
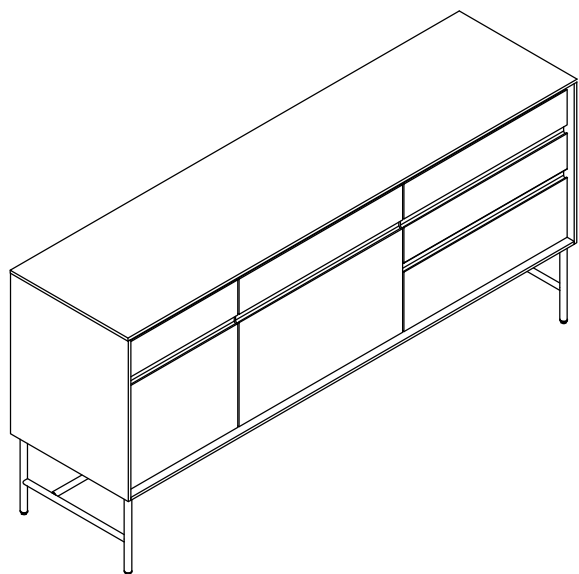







# 85857

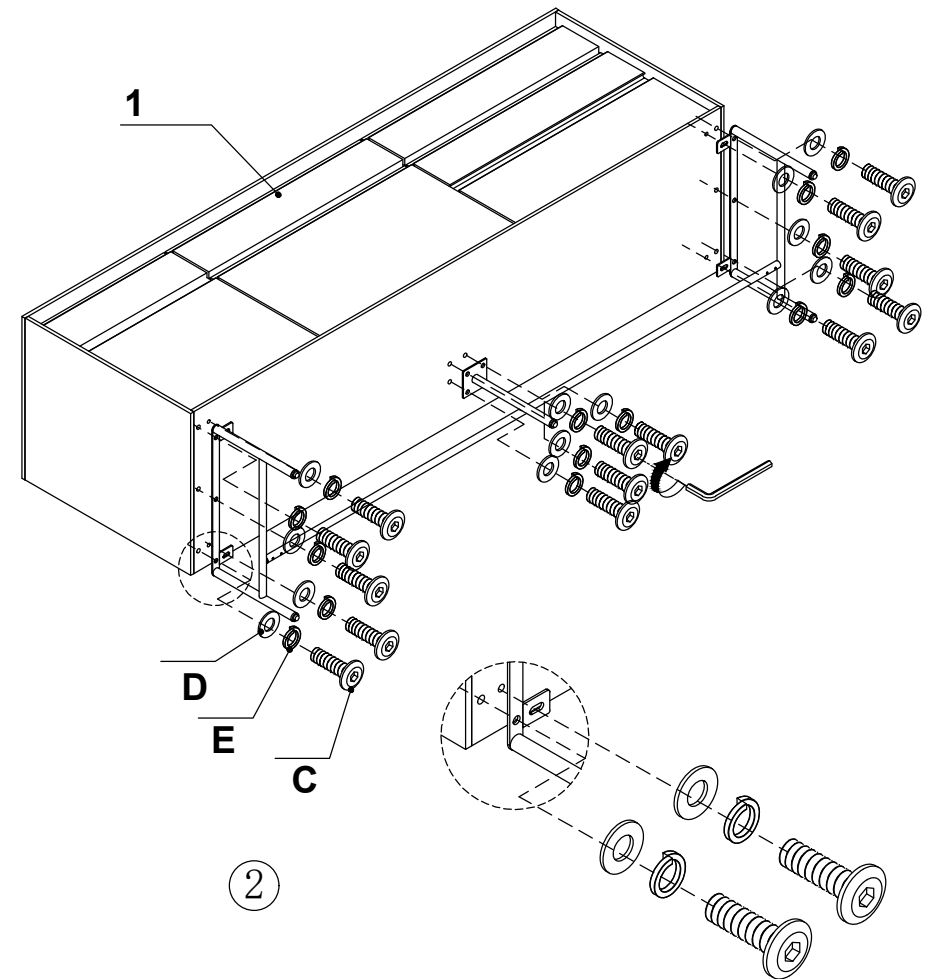
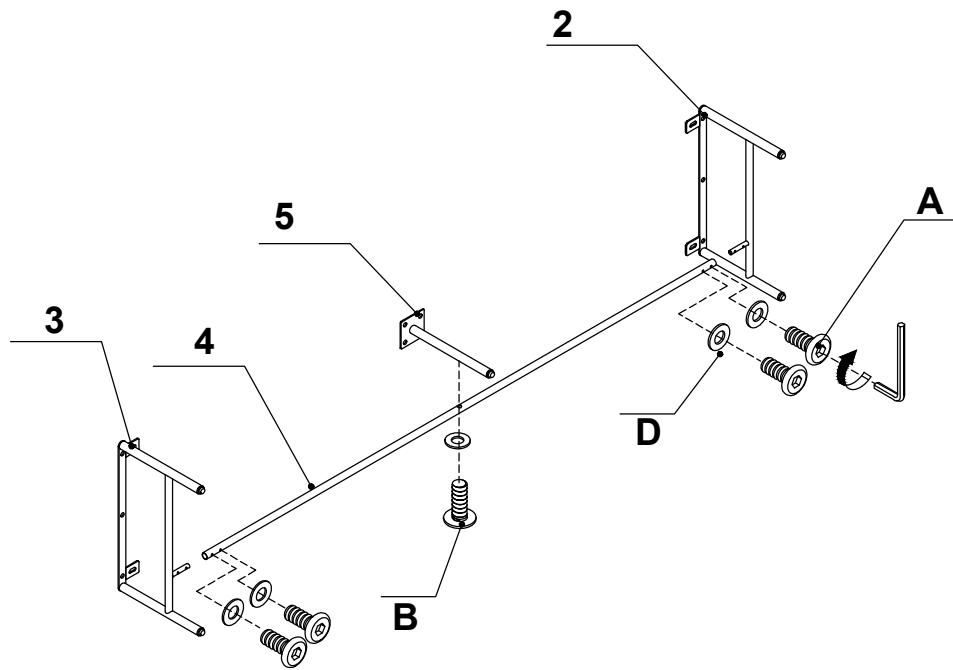
Sideboard Selina

**KARE**  
DESIGN



- A**  M6\*10= 4x
- B**  M6\*20= 1x
- C**  M6\*16= 14x

- D**   $\phi 13-6*1.5 = 18x$
- E**  M6 = 14x



**85857**

Sideboard Selina