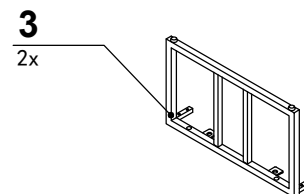
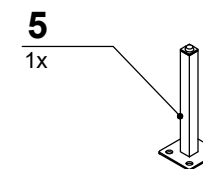
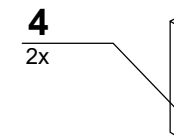
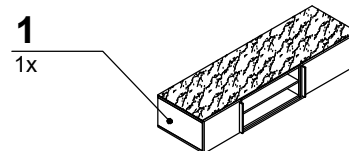
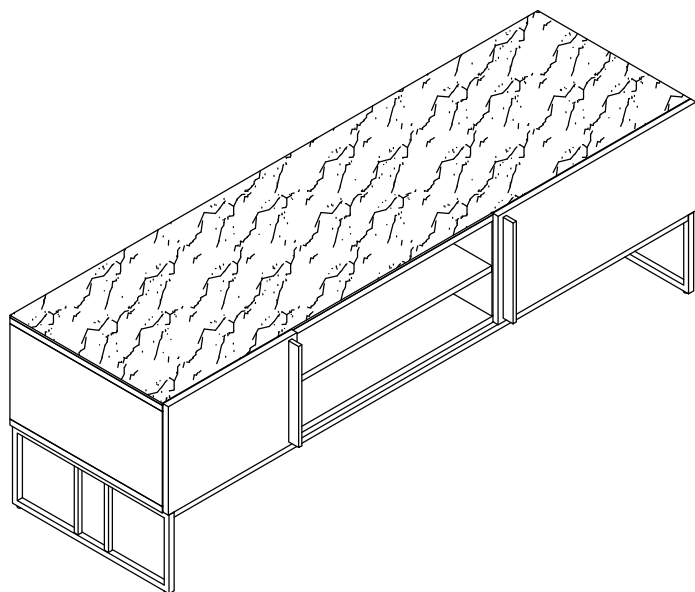


85859

Lowboard Cesaro

KARE
DESIGN

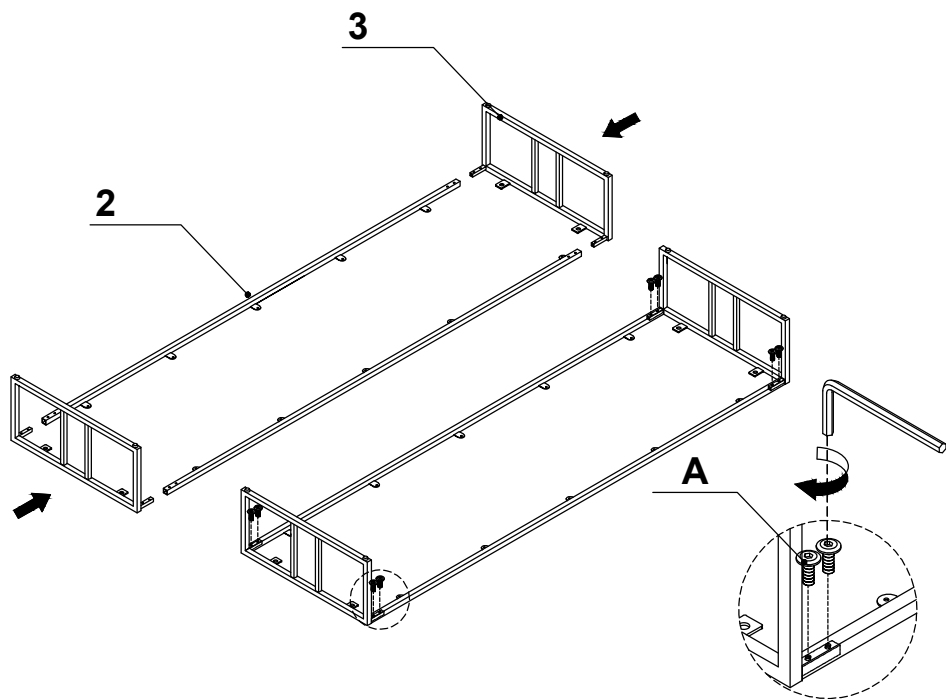


A  M6*12 = 16x

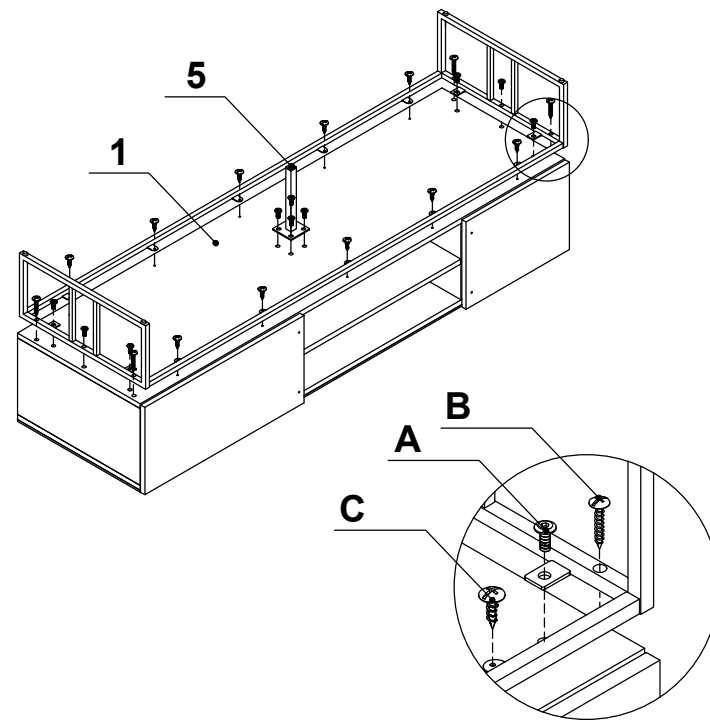
B  M4*25 = 6x

C  M4*12 = 10x

D  M4*25 = 4x



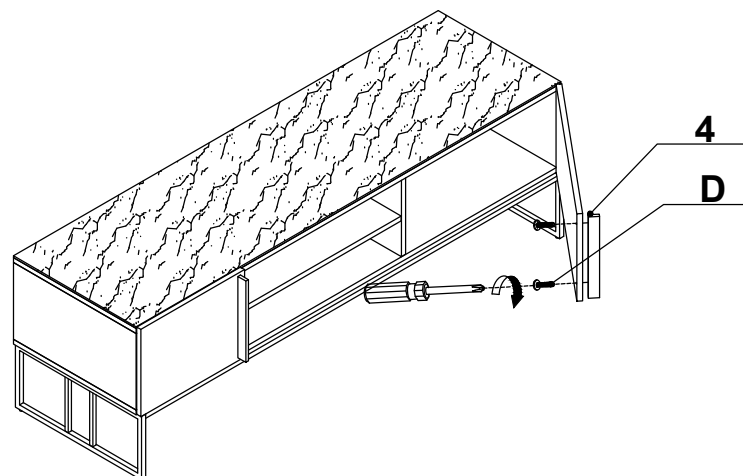
①



②

85859

Lowboard Cesaro



3

85859

Lowboard Cesaro