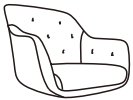


86400-Chair with Armrest Elaine

A*1



B*1



C*1



D*2



M8*16

E*4



M6*25

F*4



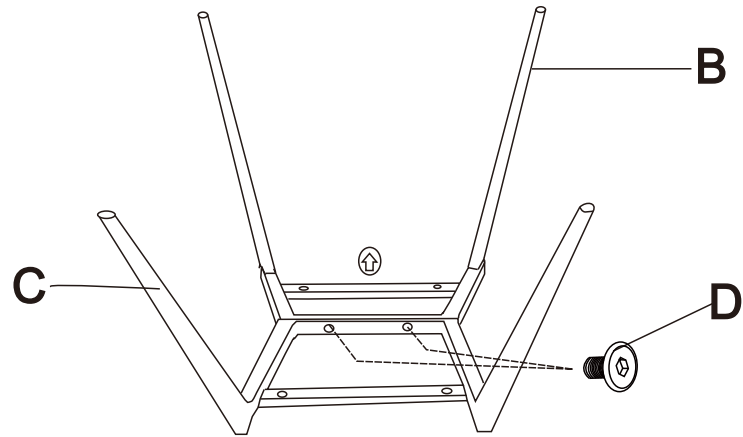
M6*16*1

G*1

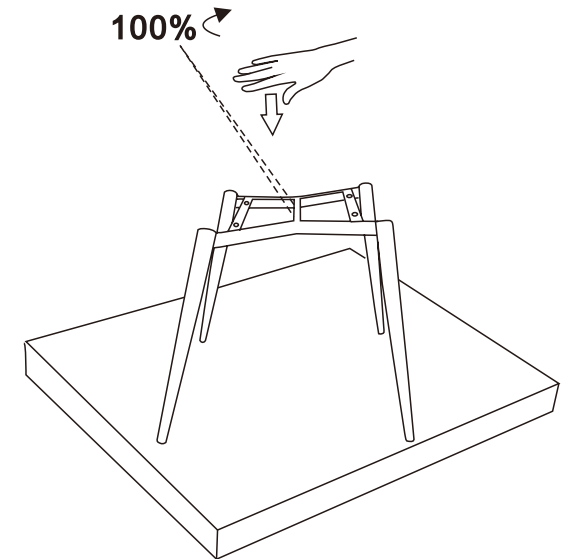


M6

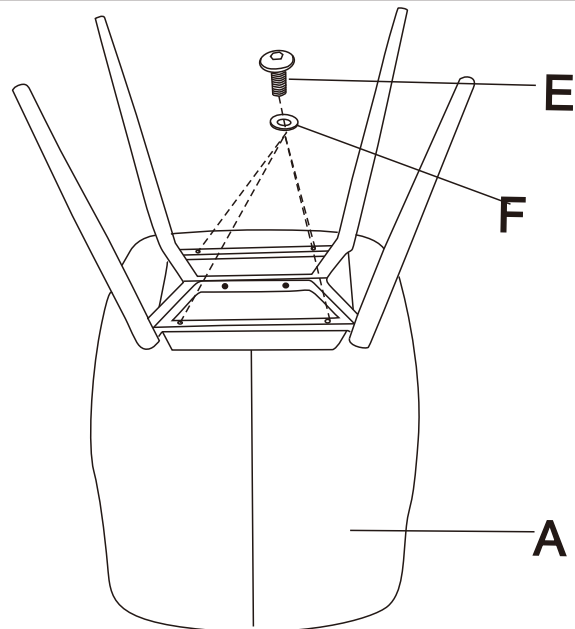
1



2



3



4

