

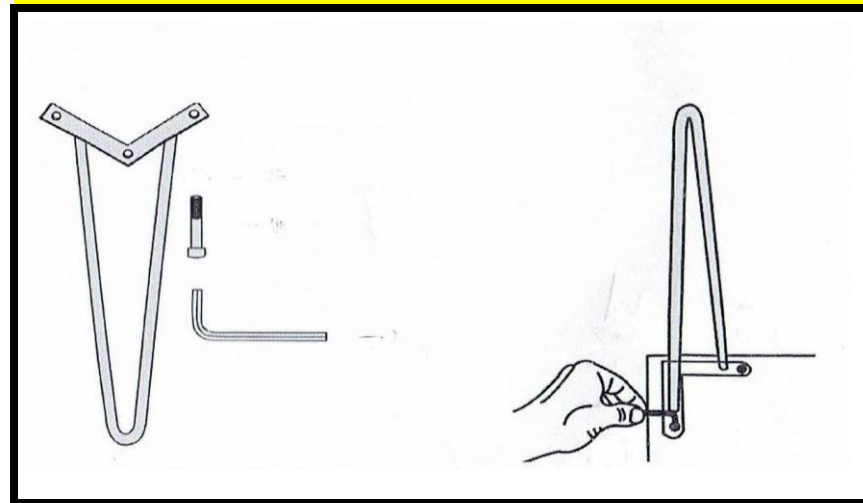


# Assembly Instruction for Bench

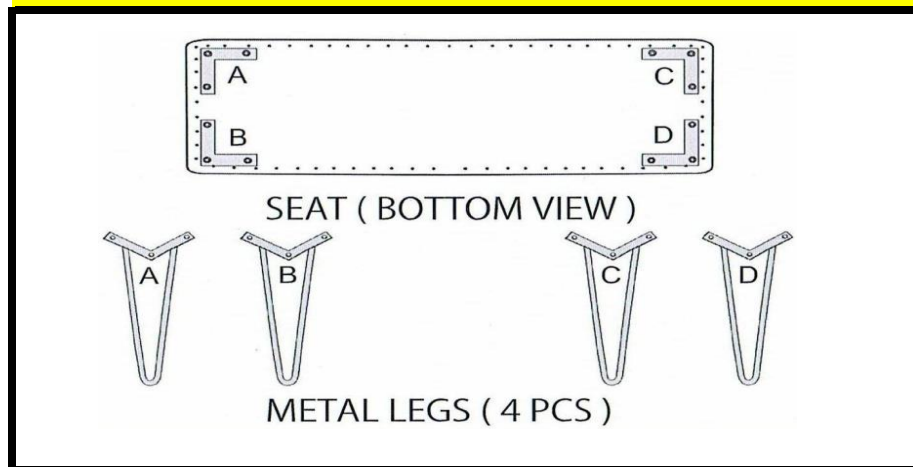
## HARDWARE

SR NO	DESCRIPTION	SKETCH	QTY
1	BOLT		12
2	ALLEN KEY		1

## HOW TO ASSEMBLE



## PART OF PRODUCT



## ASSEMBLED PRODUCT

