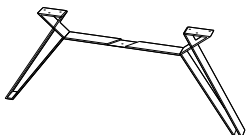
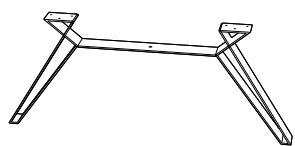

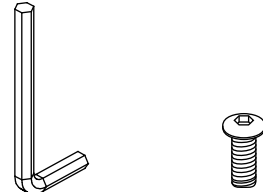
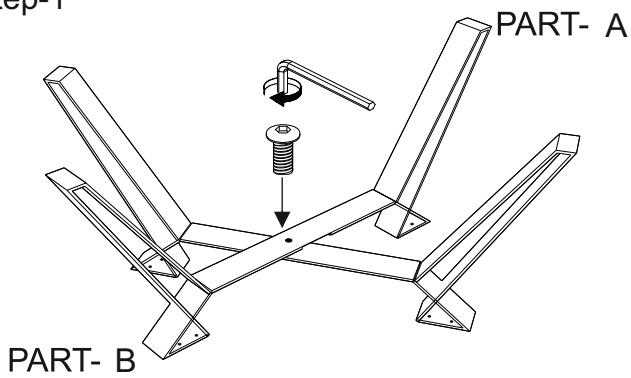


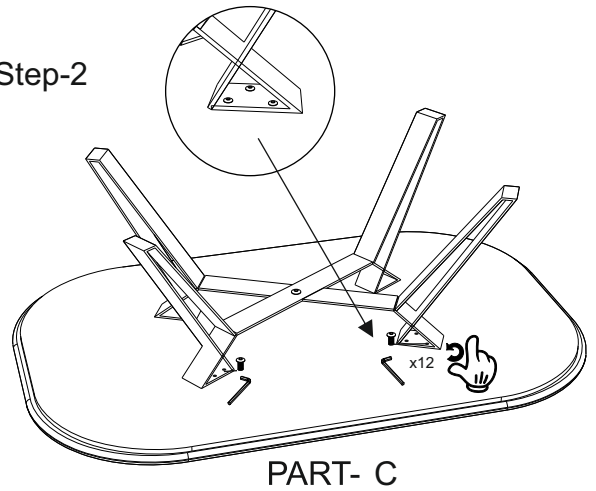
Assembly Instruction

NO.	PART- A	PART- B	PART- C	PART- D
				
QTY.	1	1		A1 B13

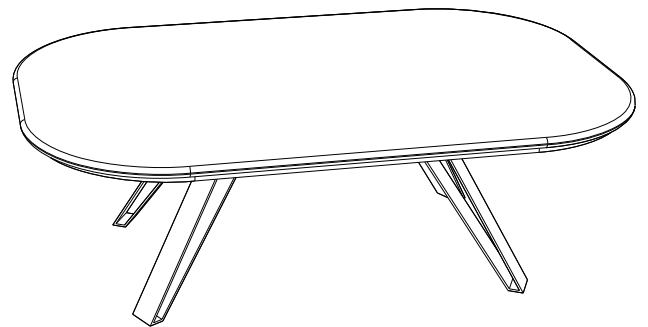
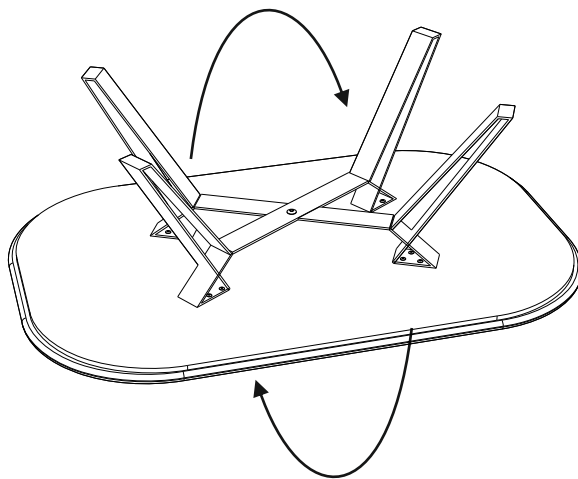
Step-1



Step-2



Step-3



Ready to Use