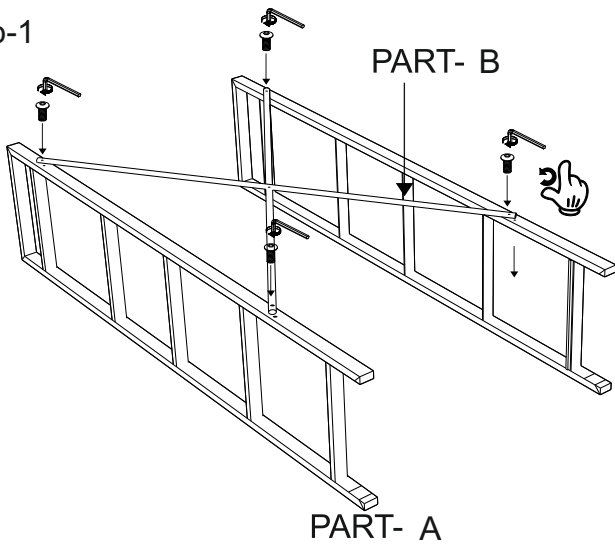


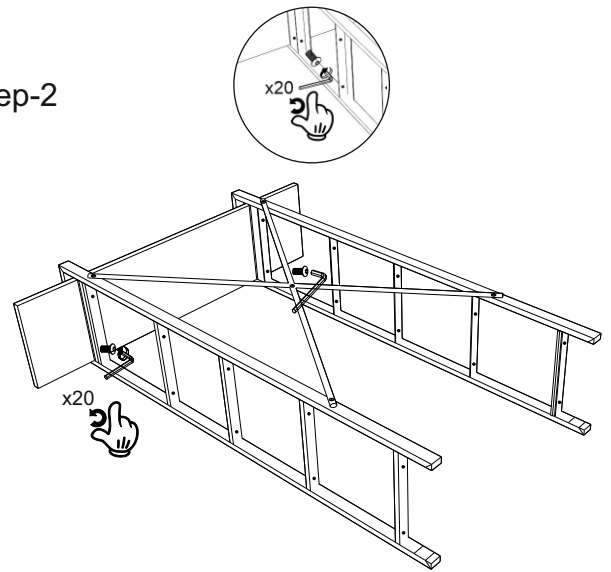
Assembly Instruction

NO.	PART- A	PART- B	PART- C	PART- D
QTY.	2	1	5	A1 B24

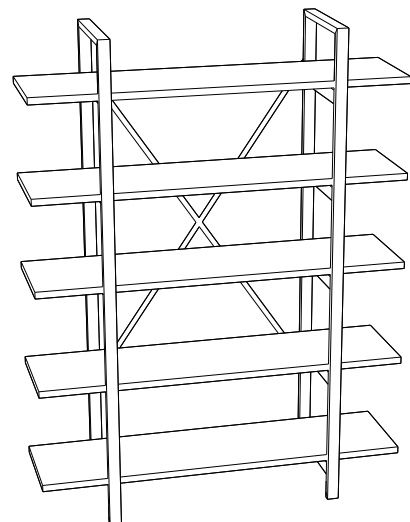
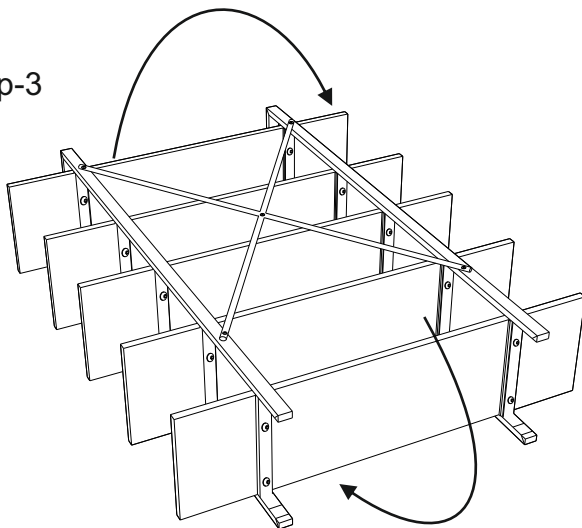
Step-1



Step-2



Step-3



Ready to Use