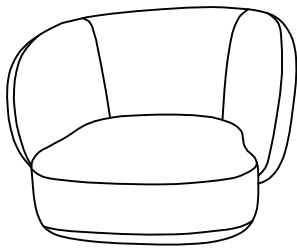
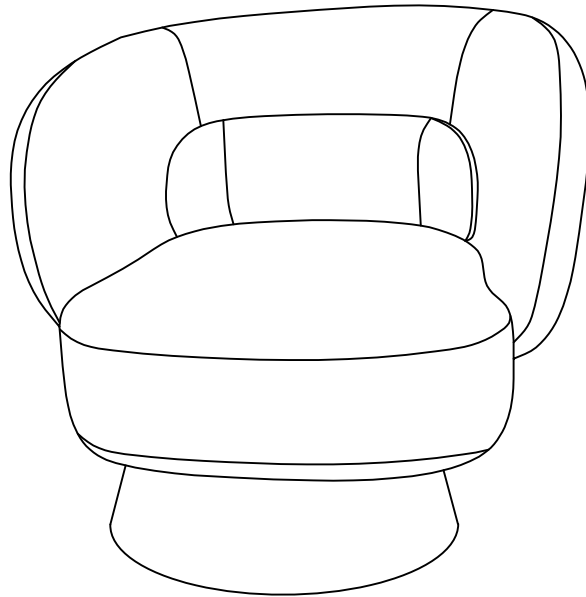


Assembly Instruction

KARE
DESIGN

Item Number 86911

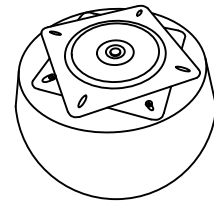
Description: Relax chair



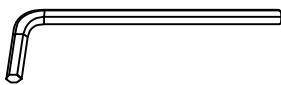
A * 1pc



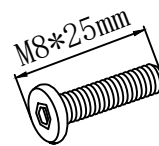
B * 1pc



C * 1pc

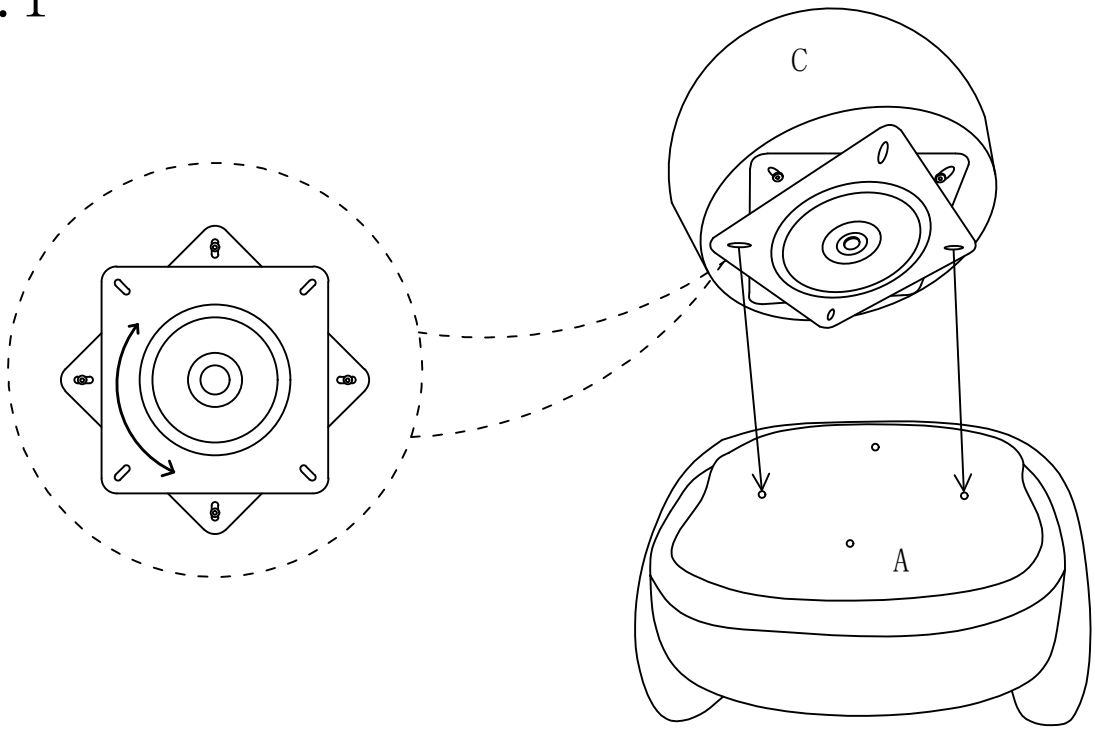


(1)*1pc

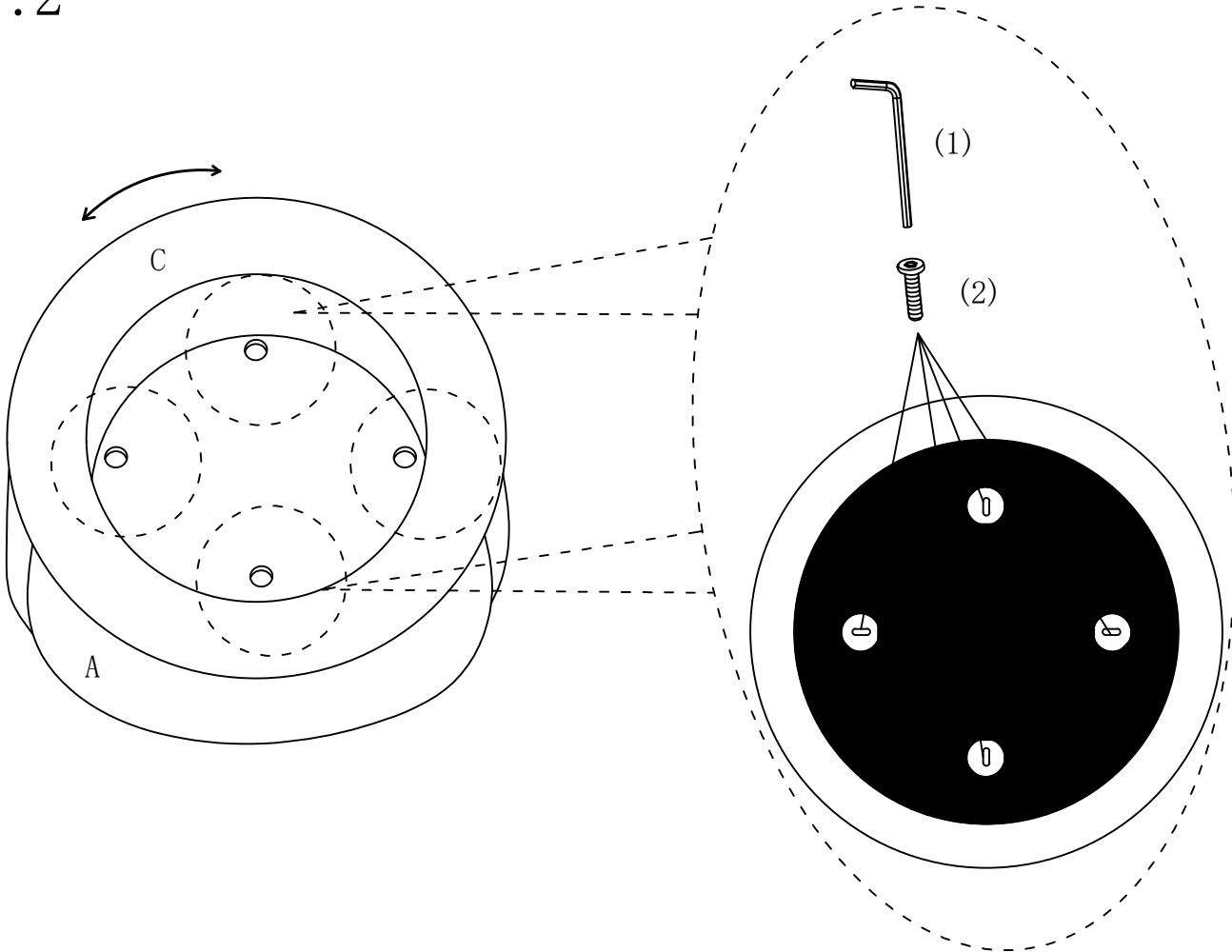


(2)*4pcs

STEP:1



STEP:2



STEP:3

