

# Bed East Side

Art. 84960,84421, 87345,87291,87346,87292

# KARE DESIGN

## 40min

APPROXIMATE ASSEMBLY TIME

2 PERSONS ASSEMBLY



FLOOR AREA  
2.5M x 2.5M



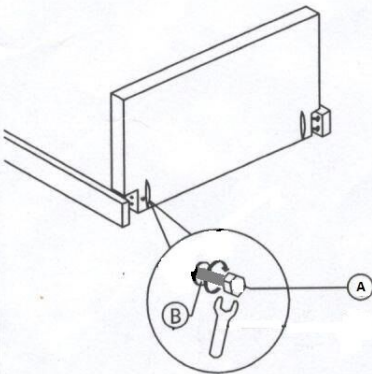
REQUIRED ASSEMBLY SPACE

### HARDWARE LIST

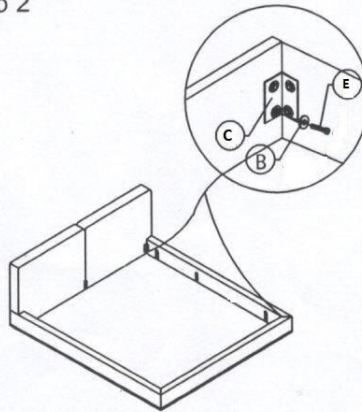


### STEP

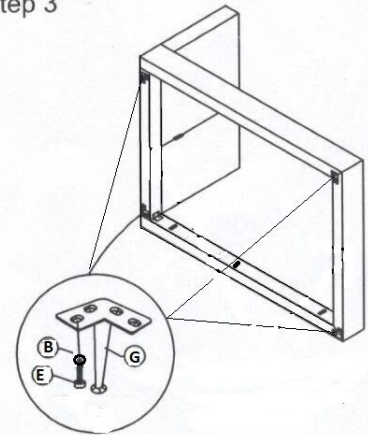
Step 1



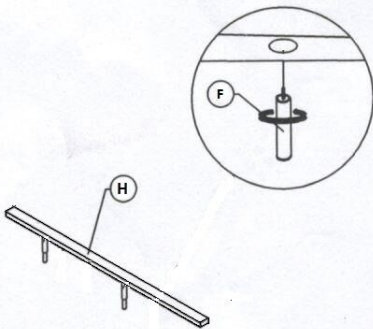
Step 2



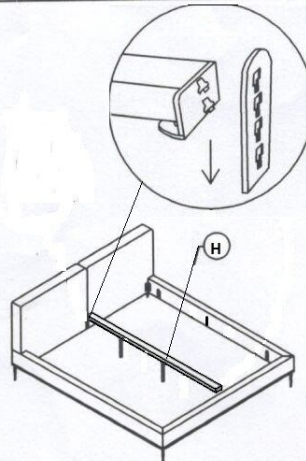
Step 3



Step 4



Step 5



Step 6

