

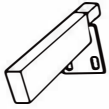


10Min

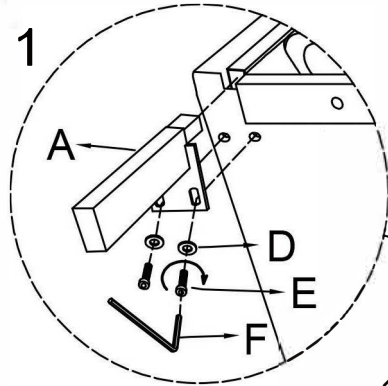
87354 Sofa 3-Seater Victor Fabric Grey

KARE DESIGN

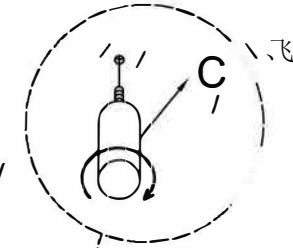
A_{x2}



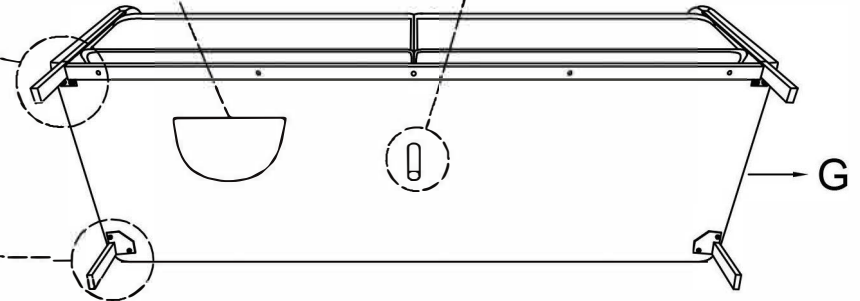
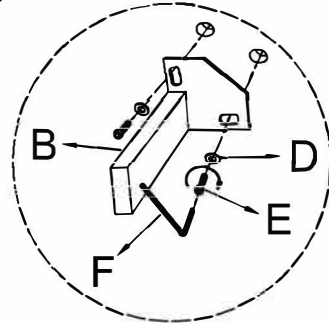
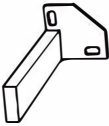
Step 1



Take out legs from the bottom of sofa body



B_{x2}



C_{x1}



D_{x8}



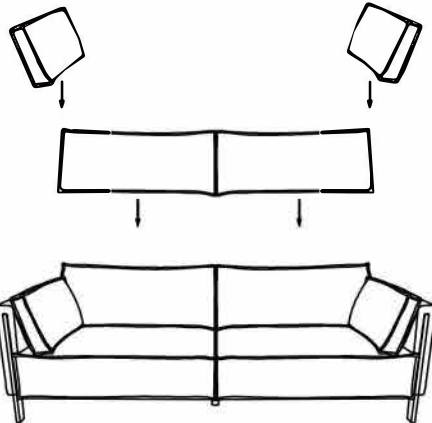
Make sure all legs are screwed tightly before turn it over

E_{x8}



M8*30mm

Step 2



Put the back cushions in place

F_{x1}



G_{x1}

