



10Min

87405 Corner Sofa Gigi Right

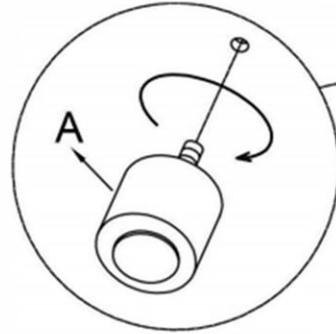
KARE DESIGN

A x4

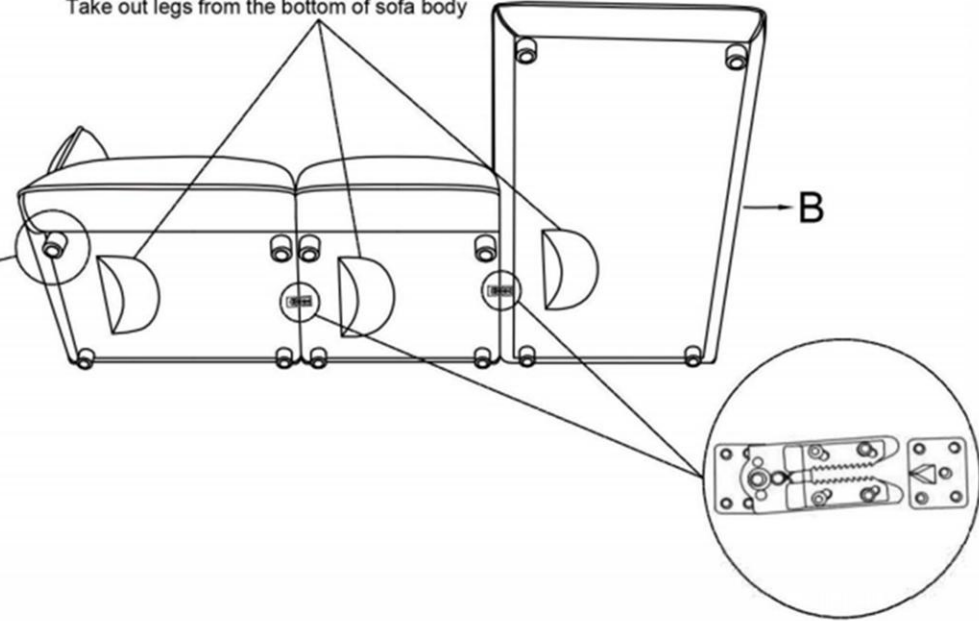


Step 1

Take out legs from the bottom of sofa body



Install legs



Install Metal connector

B x1

Make sure all legs are screwed tightly before turn it over

Step 2

