

①



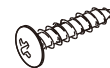
x18

②



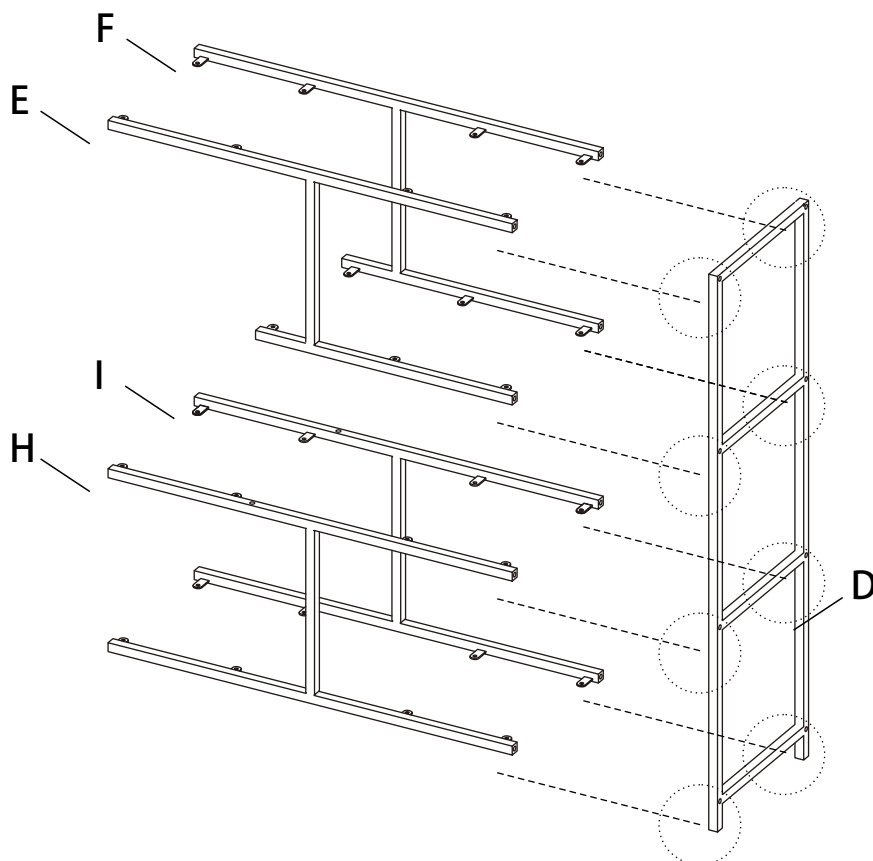
x1

③



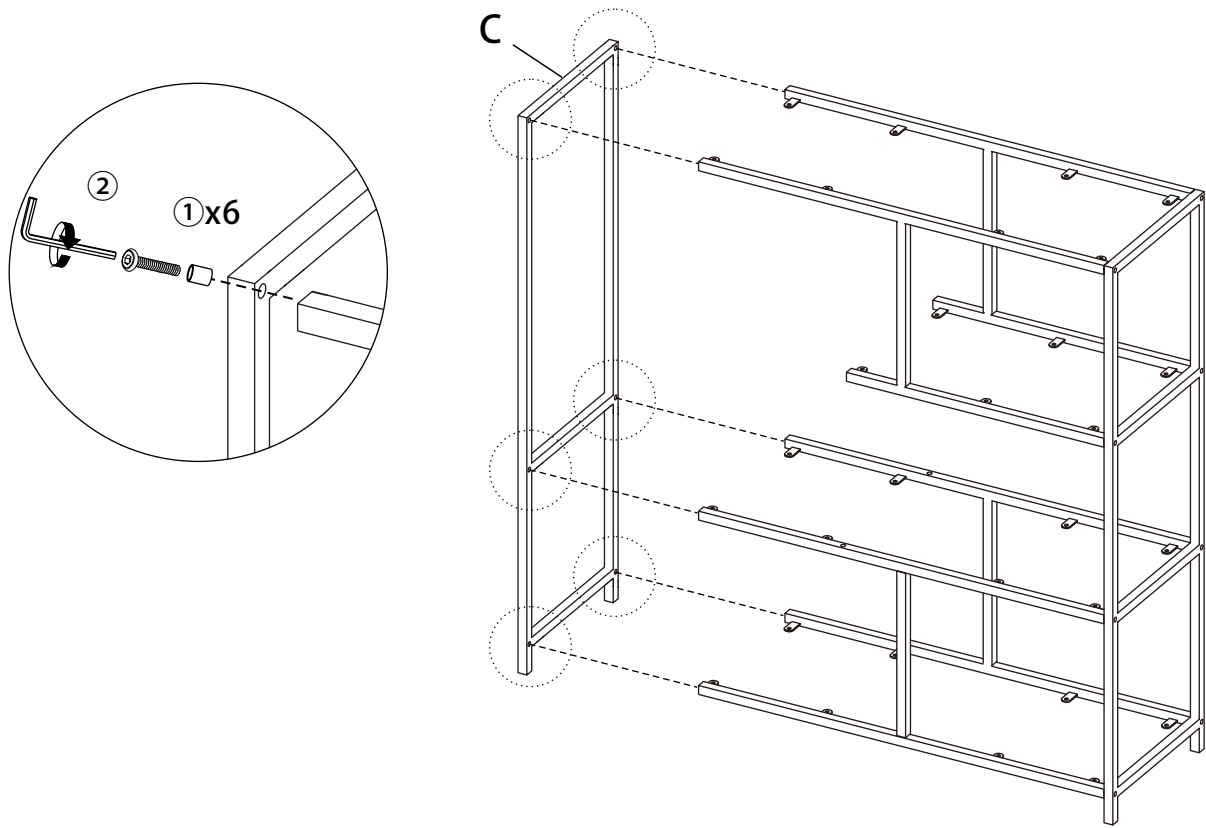
x30

Step 1



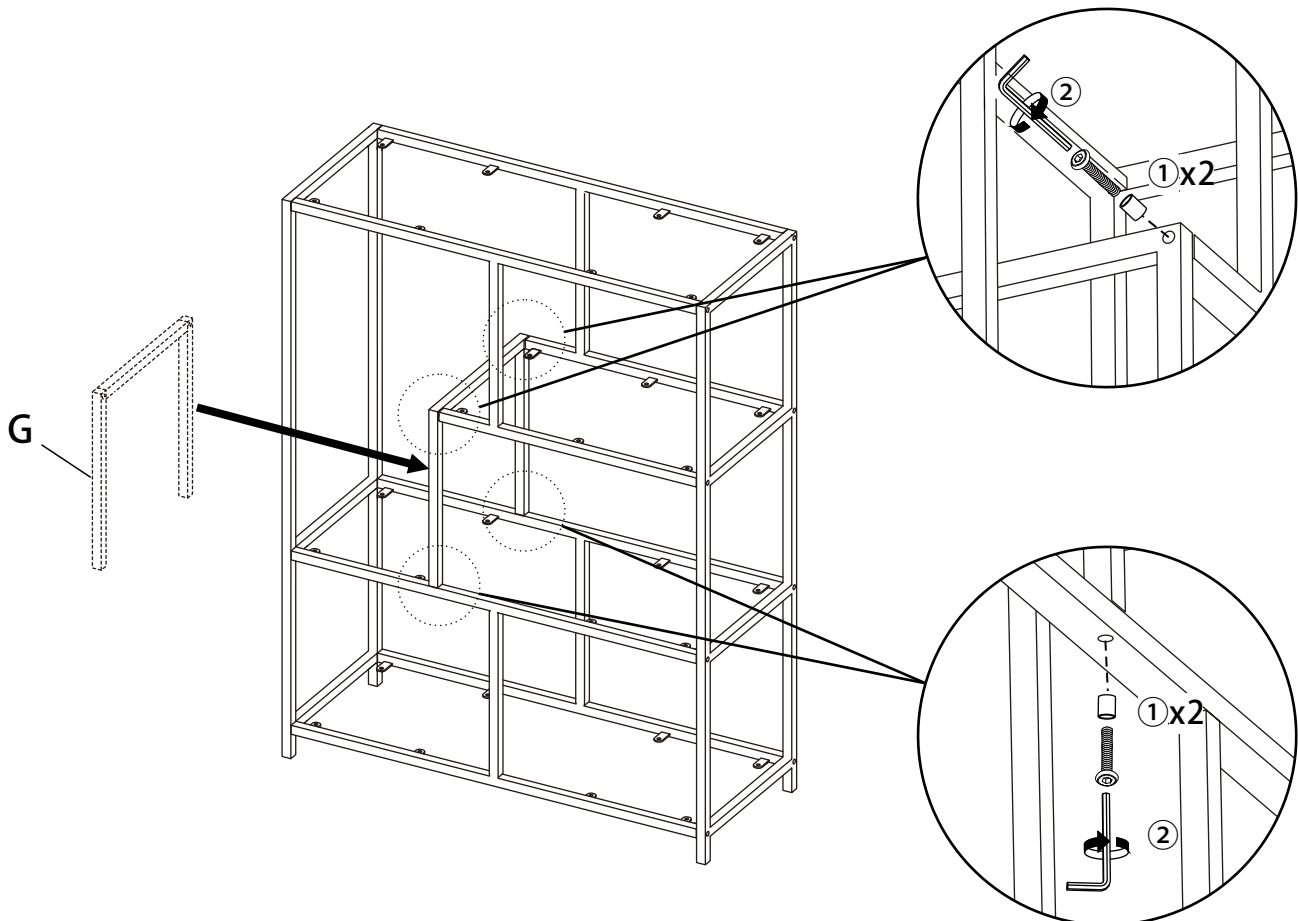
Note: Do not tighten the screws.

Step 2



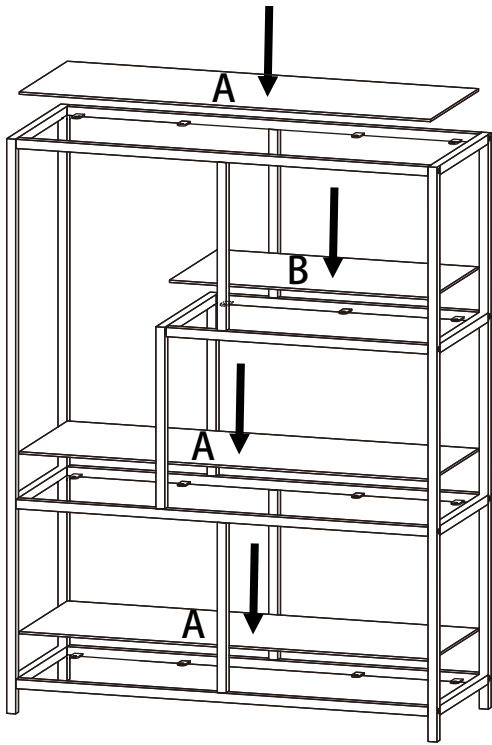
Note: Do not tighten the screws.

Step 3

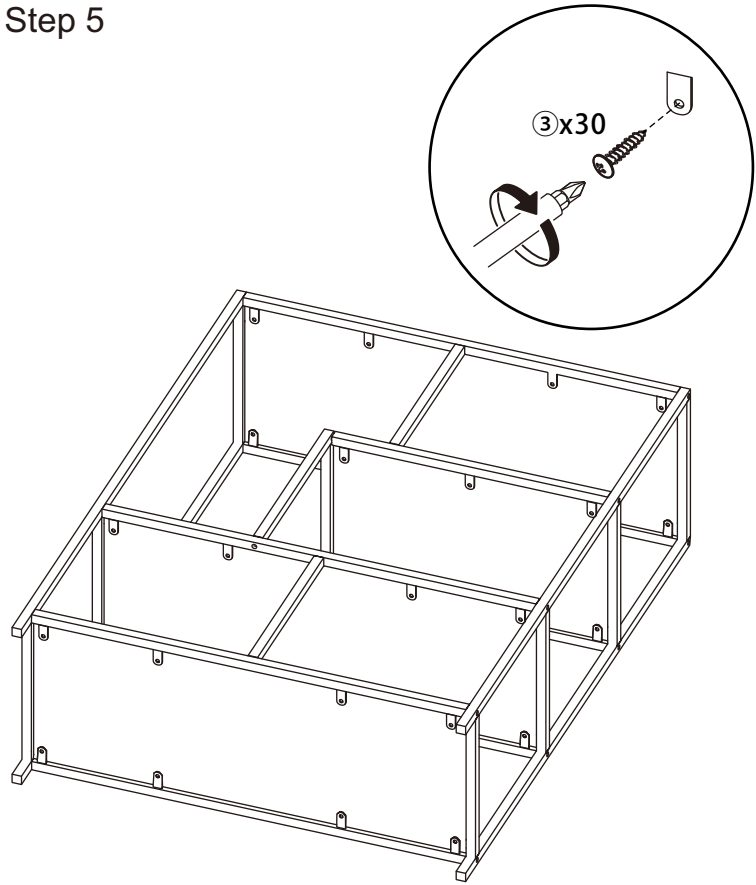


Note: Do not tighten the screws.

Step 4



Step 5



Note: Put all the laminates into the iron frame and tighten all the screws ①.

Step 6

